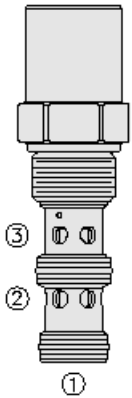




Overview



Description

EC12-32 is a screw-in, cartridge style, load sense, flow on demand, pressure compensator valve.

Operation

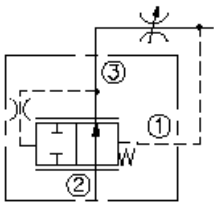
With inlet flow at port 2, the EC12-32 will deliver required flow at port 3 regardless of load pressure sensed at port 1.

note: 0.53 mm 0.021in orifice is recommended to be installed in load sense line at port 1 for better stability.

Features

- Choice of compensator springs
- Hardened parts for long life.
- Quiet, modulated response.
- Industry-common cavity.

Symbol



Ratings

Pressure Ratings

Pressure rating 241 bar (3500 psi)

Flow Ratings

Flow rating	57 lpm (15.0 gpm)	- Note: With 5.5 bar (80 psi) compensating spring
	76 lpm (20.0 gpm)	- Note: With 7.6 bar (110 psi) compensating spring
	83 lpm (22.0 gpm)	- Note: With 11.0 bar (160 psi) compensating spring
	114 lpm (30.0 gpm)	- Note: With 15.2 bar (220 psi) compensating spring
Maximum internal leakage	49 ml/min (3.0 in ³ /min)	- Note: At port 1 with 241 bar (3500 psi) at port 2 (port 3 blocked)

Temperature Ratings

Operating fluid temperature	-40 to 100 °C (-40 to 212 °F)	- Note: With buna N seals
	-26 to 204 °C (-15 to 400 °F)	- Note: With fluorocarbon seals
	-54 to 107 °C (-65 to 225 °F)	- Note: With polyurethane seals
Storage temperature	-40 to 70 °C (-40 to 160 °F)	
Ambient temperature	-40 to 70 °C (-40 to 160 °F)	

Other Ratings

Corrosion protection 960 hr salt spray per ASTM b117 (model number - gec12-32)

Operating Parameters

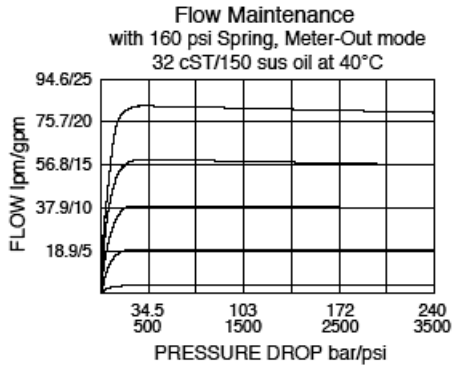
Fluids	Mineral based or synthetic hydraulic fluid with lubricating properties
Fluid viscosity range	7.4 to 420 cSt
Maximum operating contamination level	18/16/13 per ISO 4406

Properties

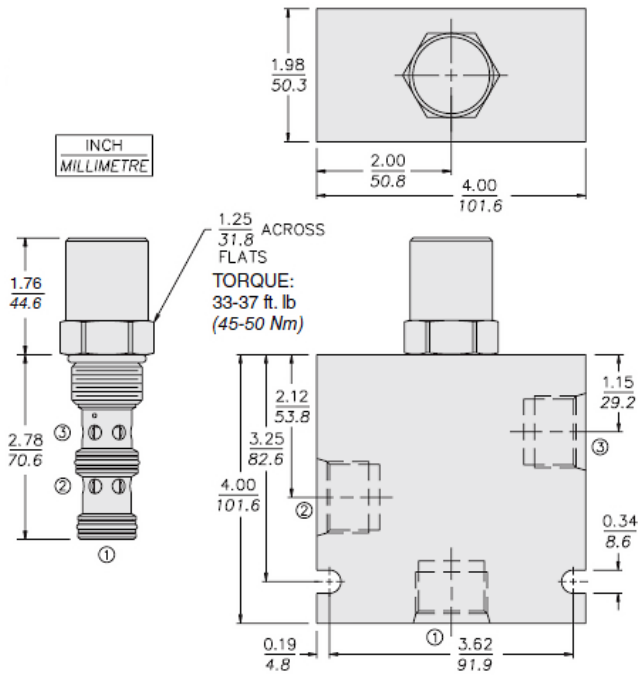
Unit weight	0.39 kg (0.87 lb)
Internal wetted surface area	258.4 cm ² (40.05 in ²)



Performance



Dimensions



Installation Specifications

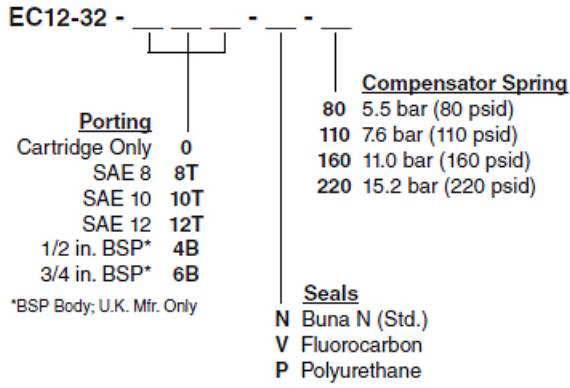
Cavity	VC12-3
Cartridge installation torque	45 to 50 N-m (33 to 37 ft-lb)
Maximum allowable torque	67.8 N-m (50 ft-lb)
Orientation restriction	None

Accessories

Seal kit	SK12-3X-MM	- Note: X = seal option
----------	------------	--------------------------------



Order Code



Model Options

EC12-32-H-J-R

H Line Body

CODE	DESCRIPTION
0	No Body
8T	Aluminum SAE 8
10T	Aluminum SAE 10
12T	Aluminum SAE 12
12TD	Ductile Iron SAE 12
6B	Aluminum BSPP 3/4" (6)

J Seal

CODE	DESCRIPTION
N	Buna-N
V	Fluorocarbon
P	Polyurethane
U	PPDI Urethane

R Compensator Spring

CODE	DESCRIPTION
80	80 Compensator Spring
160	160 Compensator Spring
220	220 Compensator Spring