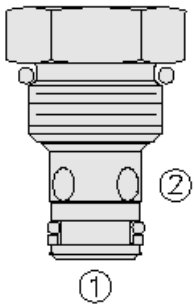




Overview



Description

The FC08-20F is a screw-in, cartridge style, restrictor-check valve.

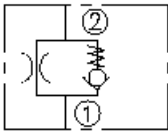
Operation

The valve acts as a restrictor in the 2 to 1 direction. As a check valve it provides free flow in the 1 to 2 flow path.

Features

- Hardened spool and cage for long life.
- Compact, industry-common cavity.

Symbol



Ratings

Pressure Ratings

Pressure rating	241 bar (3500 psi)
Proof pressure	345 bar (5000 psi)
Burst pressure	896 bar (13000 psi)

Flow Ratings

Flow rating	See performance graph
-------------	-----------------------

Temperature Ratings

Operating fluid temperature	-40 to 100 °C (-40 to 212 °F)	- Note: With buna N seals
	-26 to 204 °C (-15 to 400 °F)	- Note: With fluorocarbon seals
	-54 to 107 °C (-65 to 225 °F)	- Note: With polyurethane seals
Storage temperature	-40 to 70 °C (-40 to 160 °F)	
Ambient temperature	-40 to 70 °C (-40 to 160 °F)	

Operating Parameters

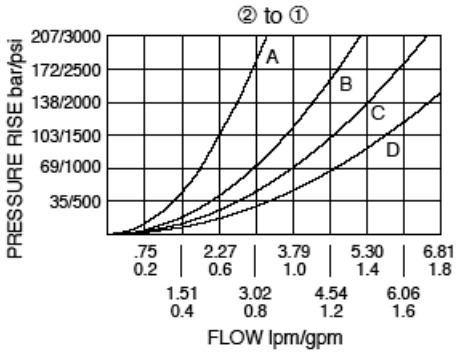
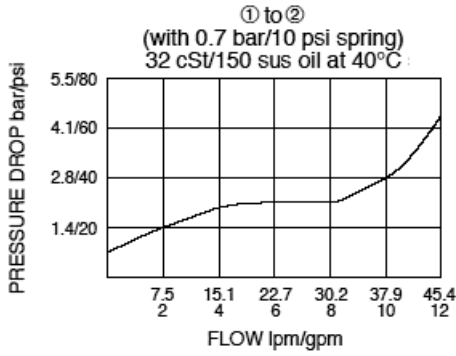
Fluids	Mineral based or synthetic hydraulic fluid with lubricating properties
Fluid viscosity range	7.4 to 420 cSt
Maximum operating contamination level	18/16/13 per iso4406

Properties

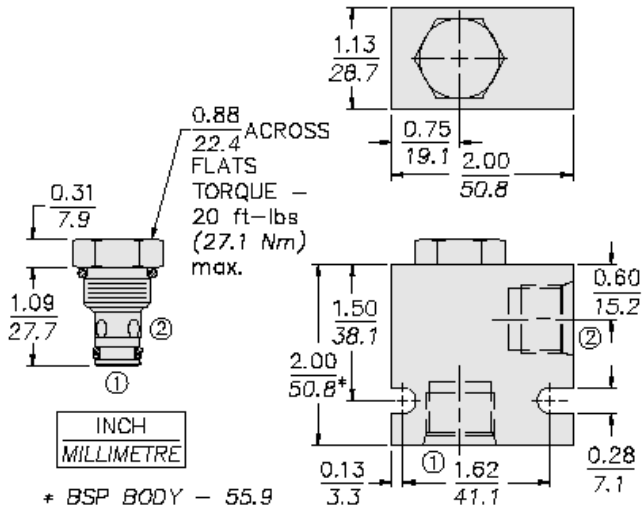
Unit weight	0.10 kg (0.20 lb)
Internal wetted surface area	206 cm ² (31.9 in ²)



Performance



Dimensions



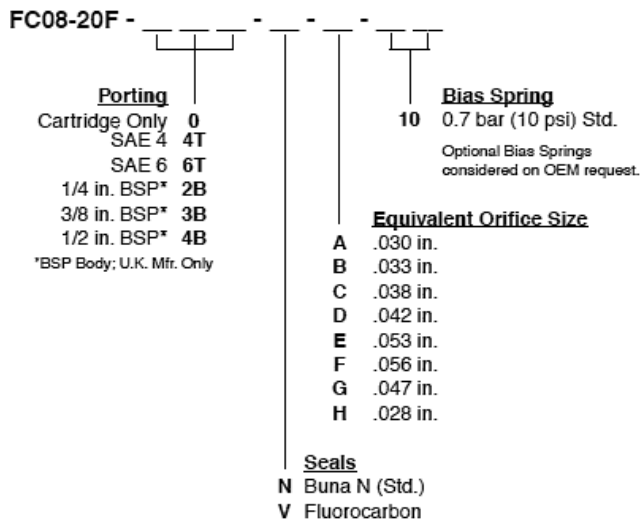
Installation Specifications

Cavity	VC08-2
Cartridge installation torque	24.5 to 27.2 N-m (18 to 20 ft-lb)
Orientation restriction	None

Accessories

Seal kit	SK08-2X-T (x = seal option)	- Note: X = seal option
----------	-----------------------------	--------------------------------

Order Code



Model Options

FC08-20F-H-J-PR

H Line Body

CODE	DESCRIPTION
0	No Body
4T	Aluminum SAE 4
6T	Aluminum SAE 6
8T	Aluminum SAE 8
6TD	Ductile Iron SAE 6
8TD	Ductile Iron SAE 8
2B	Aluminum BSPP 1/4" (2)
3B	Aluminum BSPP 3/8" (3)
3BD	Ductile Iron BSPP 3/8" (3)

J Seal

CODE	DESCRIPTION
N	Buna-N
V	Fluorocarbon
P	Polyurethane
U	PPDI Urethane

P Equivalent Orifice Size

CODE	DESCRIPTION
A	0.030 in
B	0.033 in
C	0.038 in
D	0.042 in
E	0.053 in
F	0.056 in
G	0.47 in
H	0.28 in

R Spring Value

CODE	DESCRIPTION
------	-------------



CODE	DESCRIPTION
10	0.7 bar (10 psi)