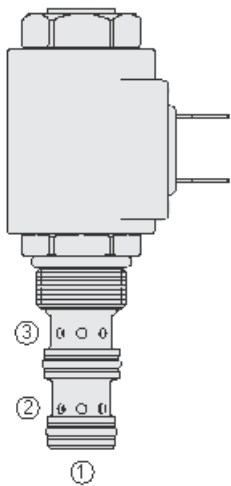




Overview



Description

The PV08-30 is a solenoid operated, pressure compensated, spool type, normally closed, priority type proportional flow control regulator. It also CAN be used as a restrictive type, 2-way, pressure compensated proportional flow regulator (with port 2 blocked).

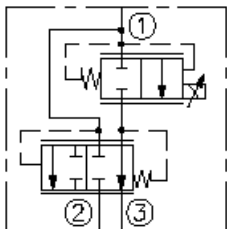
Operation

With inlet flow at port 1 the valve will regulate priority flow out of port 3 regardless of system working pressure with flow rate proportional to current applied to the solenoid. The excessive flow will bypass out of port 2. The bypass flow CAN be used for auxiliary function control. Note: avoid dead heading of priority line by external valving to prevent blocking of bypass line. In restrictive mode applications bypass port 2 has to be blocked, flow rate out of port 3 remains proportional to current applied to the solenoid regardless of load (pressure) applied to port 3.

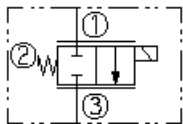
Features

- Excellent linearity and hysteresis characteristics.
- Hardened spool and cage for long life.
- Optional coil voltages and terminations.
- Efficient wet-armature construction.

Symbol



2-Ported:



Ratings

Pressure Ratings

Pressure rating	241 bar (3500 psi) 207 bar (3000 psi)	- Note: Inlet - Note: Regulated and bypass
Proof pressure	345 bar (5000 psi)	
Burst pressure	896 bar (13000 psi)	

Flow Ratings

Flow rating	11.4 lpm (3.0 gpm) 11.4 lpm (3.0 gpm) 5.7 lpm (1.5 gpm) 5.7 lpm (1.5 gpm) 15.2 lpm (4.0 gpm) 7.6 lpm (2.0 gpm) 22.8 lpm (6.0 gpm) 22.8 lpm (6.0 gpm)	- Note: Flow range a, regulated, 2-ported - Note: Flow range a, regulated, 3-ported - Note: Flow range b, regulated, 2-ported - Note: Flow range b, regulated, 3-ported - Note: Flow range a, input nominal, 3-ported - Note: Flow range b, input nominal, 3-ported - Note: Flow range a, input maximum, 3-ported - Note: Flow range b, input maximum, 3-ported
Maximum internal leakage	197 ml/min (12 in ³ /min) current 207 bar (3000 psi)	- Note: At port 3 with at port 1 (port 2 closed) at 0
Hysteresis	±0.9 lpm (±0.25 gpm)	- Note: Maximum

Temperature Ratings

Operating fluid temperature	-40 to 100 °C (-40 to 212 °F) -26 to 204 °C (-15 to 400 °F)	- Note: With buna N seals - Note: With fluorocarbon seals
Storage temperature	-40 to 70 °C (-40 to 160 °F)	
Ambient temperature	-40 to 70 °C (-40 to 160 °F)	



Operating Parameters

Fluids	Mineral based or synthetic hydraulic fluid with lubricating properties
Fluid viscosity range	7.4 to 420 cSt
Maximum operating contamination level	20/18/14 per ISO 4406 (reference all sheets)

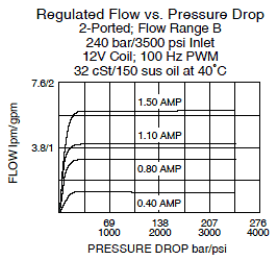
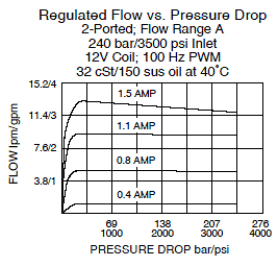
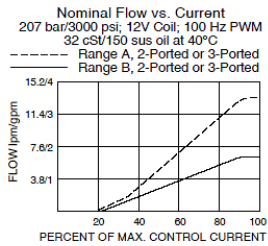
Electrical Parameters

Note	(With EHPR08 E-series and D-series coil)	
Maximum control current	1400 ±150 mA	- Note: 12 V coil
	700 ±75 mA	- Note: 24 V coil
Threshold current	400 ±100 mA	- Note: 12 V coil
	200 ±50 mA	- Note: 24 V coil
Dither PWM frequency	100 to 200 Hz	

Properties

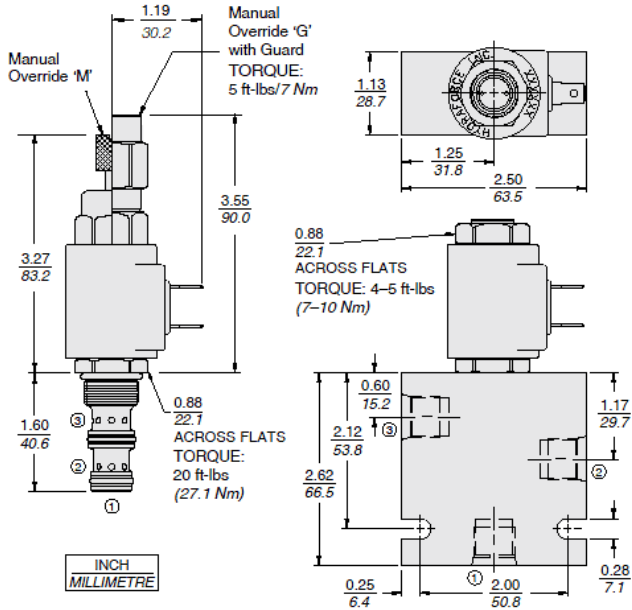
Cartridge weight	0.15 kg (0.33 lb)	- Note: PV08-30A/30B
	0.20 kg (0.45 lb)	- Note: PV08-30AM/30BM
	0.27 kg (0.59 lb)	- Note: PV08-30AG/30BG
Internal wetted surface area	155 cm ² (24.1 in ²)	- Note: PV08-30AM/30AG/30BM/30BG
	152 cm ² (23.6 in ²)	- Note: PV08-30A/30B
Corrosion protection	960 hr salt spray per ASTM B117	- Note: GPV08-30XX

Performance





Dimensions



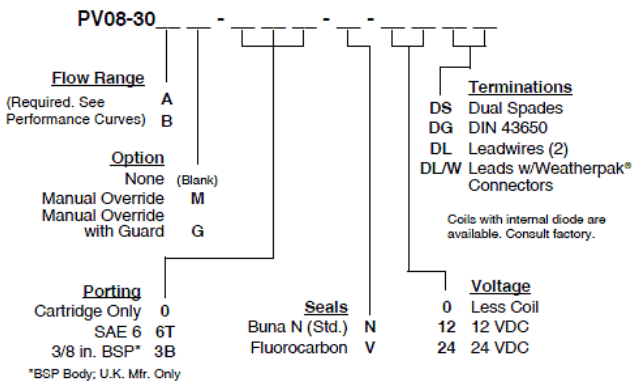
Installation Specifications

Cavity	VC08-3
Cartridge installation torque	25.8 to 28.5 N-m (19 to 21 ft-lb)
Maximum allowable torque	47.5 N-m (35 ft-lb)
Coil nut torque	6.8 to 9.5 N-m (5 to 7 ft-lb) - Note: Coil nut and guard nut
Orientation restriction	None

Accessories

Seal kit	SK08-3X-MM	- Note: X = seal option
----------	------------	--------------------------------

Order Code



Model Options

PV08-30DE-H-J-L

D Max Regulated Flow

CODE	DESCRIPTION
A	11.4 lpm (3.0 gpm) Max Regulated Flow
B	5.7 lpm (1.5 gpm) Max Regulated Flow

E Manual Override

CODE	DESCRIPTION
BLANK	NONE



CODE	DESCRIPTION
G	Variable Position Override, Red Knurled Knob with Cover Cap
M	Variable Position Override, Red Knurled Knob

H Line Body

CODE	DESCRIPTION
0	No Body
4T	Aluminum SAE 4
6T	Aluminum SAE 6
6TD	Ductile Iron SAE 6
8TD	Ductile Iron SAE 8
3B	Aluminum BSPP 3/8" (3)
3BD	Ductile Iron BSPP 3/8" (3)

J Seal

CODE	DESCRIPTION
N	Buna-N
V	Fluorocarbon
P	Polyurethane
U	PPDI Urethane

L Coil

CODE	DESCRIPTION
0	No Coil
12DG	12 VDC, D-Coil, DIN 43650
12ER	12 VDC, E-Coil, Deutsch
12EY	12 VDC, E-Coil, Metri-Pack 150
24DG	24 VDC, D-Coil, DIN 43650
24DL	24 VDC, D-Coil, Dual Lead Wires
24DS	24 VDC, D-Coil, Dual Spade
24ER	24 VDC, E-Coil, Deutsch