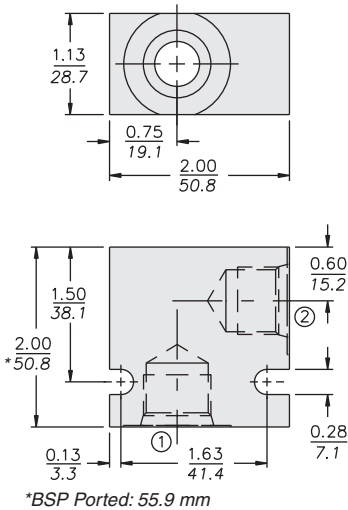


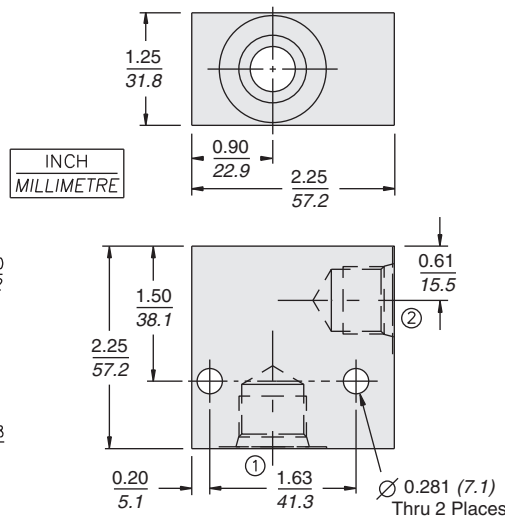
# Series 08 Valve Housings

**2-WAY  
Aluminum**



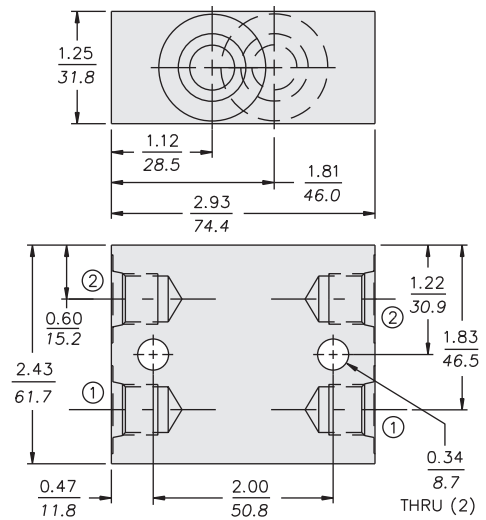
SAE 8 Ported Housing shown

**2-WAY  
Ductile Iron**



SAE 8 Ported Housing shown

**2-WAY Cross-Over  
Aluminum**



7070160 CRV Housing

Blue Rectangles are links to CAD .stp files.

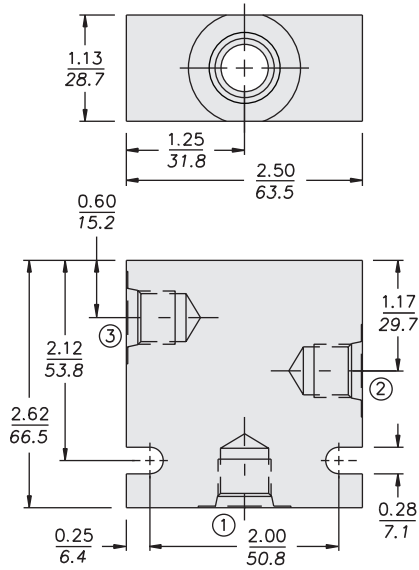
SERIES 08 2-WAY HOUSINGS					
Code	Part No.	Material	Port 1	Port 2	Mfg. Loc.
4T	7024640	Alum.	SAE 4	SAE 4	U.S.
5T	7024650	Alum.	SAE 5	SAE 5	U.S.
6T	7024660	Alum.	SAE 6	SAE 6	U.S.
8T	7024680	Alum.	SAE 8	SAE 8	U.S.
2B	7028620	Alum.	1/4" BSP	1/4" BSP	U.K.
3B	7028630	Alum.	3/8" BSP	3/8" BSP	U.K.
4TD	7151000	Duct. Iron	SAE 4	SAE 4	U.S.
6TD	7151010	Duct. Iron	SAE 6	SAE 6	U.S.
8TD	7151020	Duct. Iron	SAE 8	SAE 8	U.S.
2BD	7151140	Duct. Iron	1/4" BSP	1/4" BSP	U.K.
3BD	7151150	Duct. Iron	3/8" BSP	3/8" BSP	U.K.

SERIES 08 2-WAY CROSS-OVER HOUSINGS					
Code	Part No.	Material	Port 1	Port 2	Mfg. Loc.
6T	7070160	Alum.	SAE 6 (2)	SAE 6 (2)	U.S.

HYDRAFORCE STANDARD VALVE HOUSINGS			
MATERIAL	OPERATING PRESSURE	PORTS	MFG. LOCATION
Aluminum, 6061 T6511, Clear Anodized	210 bar (3000 psi)	SAE	U.S.
Aluminum, 6082 TF, Gold Tint	210 bar (3000 psi)	BSP	U.K.
Ductile Iron	350 bar (5000 psi)	SAE	U.S.
Ductile Iron	350 bar (5000 psi)	BSP	U.K.

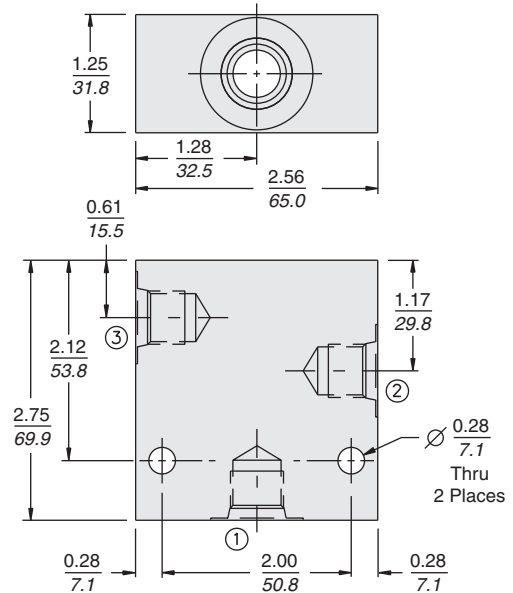
# Series 08 Valve Housings

**3-WAY  
Aluminum**



SAE 6 Ported Housing shown

**3-WAY  
Ductile Iron**



SAE 6 Ported Housing shown

INCH  
MILLIMETRE

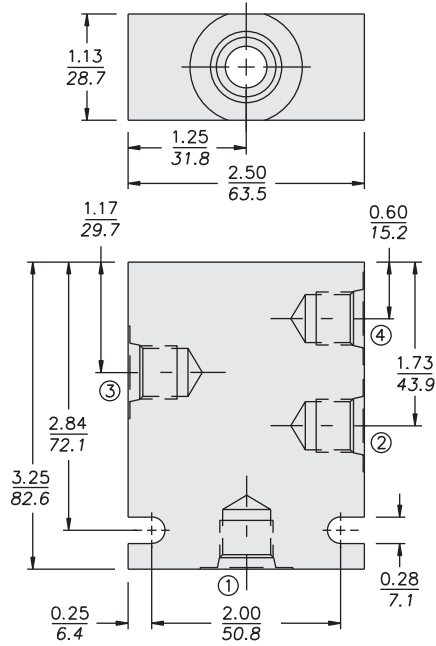
Blue Rectangles are links to CAD .stp files.

SERIES 08 3-WAY HOUSINGS						
Code	Part No.	Material	Port 1	Port 2	Port 3	Mfg. Loc.
4T	7024740	Alum.	SAE 4	SAE 4	SAE 4	U.S.
6T	7024760	Alum.	SAE 6	SAE 6	SAE 6	U.S.
3B	7028730	Alum.	3/8" BSP	3/8" BSP	3/8" BSP	U.K.
4TD	7151100	Duct. Iron	SAE 4	SAE 4	SAE 4	U.S.
6TD	7151110	Duct. Iron	SAE 6	SAE 6	SAE 6	U.S.
8TD	7151120	Duct. Iron	SAE 8	SAE 8	SAE 8	U.S.
2BD	7151140	Duct. Iron	1/4" BSP	1/4" BSP	1/4" BSP	U.S.
3BD	7151150	Duct. Iron	3/8" BSP	3/8" BSP	3/8" BSP	U.S.

HYDRAFORCE STANDARD VALVE HOUSINGS			
MATERIAL	OPERATING PRESSURE	PORTS	MFG. LOCATION
Aluminum, 6061 T6511, Clear Anodized	210 bar (3000 psi)	SAE	U.S.
Aluminum, 6082 TF, Gold Tint	210 bar (3000 psi)	BSP	U.K.
Ductile Iron	350 bar (5000 psi)	SAE	U.S.
Ductile Iron	350 bar (5000 psi)	BSP	U.K.

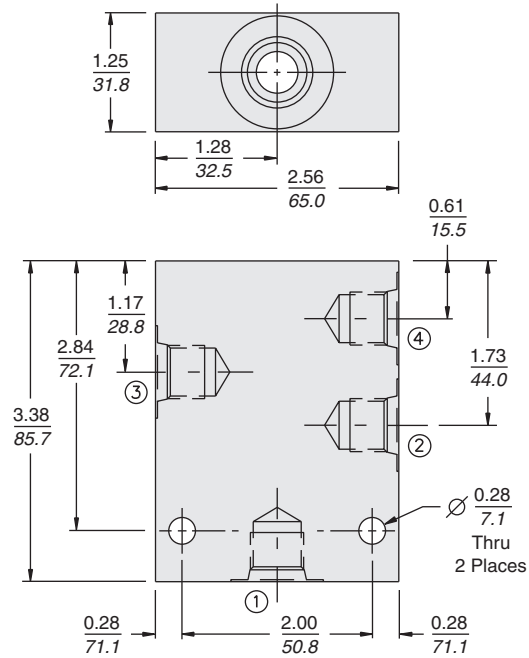
# Series 08 Valve Housings

**4-WAY  
Aluminum**



SAE 6 Ported Housing shown

**4-WAY  
Ductile Iron**



SAE 6 Ported Housing shown

INCH  
MILLIMETRE

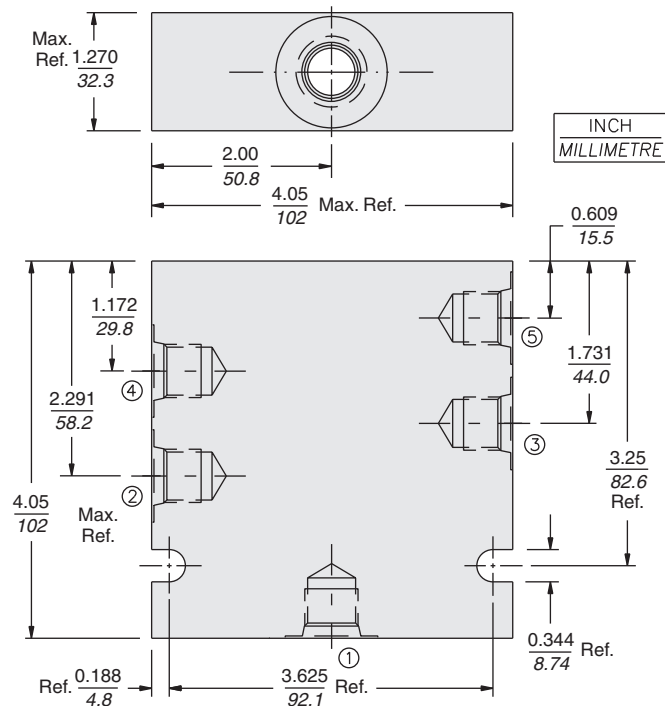
Blue Rectangles are links to CAD .stp files.

SERIES 08 4-WAY HOUSINGS							
Code	Part No.	Material	Port 1	Port 2	Port 3	Port 4	Mfg. Loc.
6T	7024860	Alum.	SAE 6	SAE 6	SAE 6	SAE 6	U.S.
2B	7028820	Alum.	1/4" BSP	1/4" BSP	1/4" BSP	1/4" BSP	U.K.
3B	7028830	Alum.	3/8" BSP	3/8" BSP	3/8" BSP	3/8" BSP	U.K.
4TD	7151200	Duct. Iron	SAE 4	SAE 4	SAE 4	SAE 4	U.S.
6TD	7151210	Duct. Iron	SAE 6	SAE 6	SAE 6	SAE 6	U.S.
8TD	7151220	Duct. Iron	SAE 8	SAE 8	SAE 8	SAE 8	U.S.
2BD	7151240	Duct. Iron	1/4" BSP	1/4" BSP	1/4" BSP	1/4" BSP	U.K.
3BD	7151250	Duct. Iron	3/8" BSP	3/8" BSP	3/8" BSP	3/8" BSP	U.K.

HYDRAFORCE STANDARD VALVE HOUSINGS			
MATERIAL	OPERATING PRESSURE	PORTS	MFG. LOCATION
Aluminum, 6061 T6511, Clear Anodized	210 bar (3000 psi)	SAE	U.S.
Aluminum, 6082 TF, Gold Tint	210 bar (3000 psi)	BSP	U.K.
Ductile Iron	350 bar (5000 psi)	SAE	U.S.
Ductile Iron	350 bar (5000 psi)	BSP	U.K.

# Series 08 Valve Housings

## 5-WAY Aluminum



SAE 6 Ported Housing Shown

Blue Rectangles are links to CAD .stp files.

SERIES 08 5-WAY HOUSINGS								
Code	Part No.	Material	Port 1	Port 2	Port 3	Port 4	Port 5	Mfg. Loc.
4T	7025840	Alum.	SAE 4	SAE 4	SAE 4	SAE 4	SAE 4	U.S.
6T	7025860	Alum.	SAE 6	SAE 6	SAE 6	SAE 6	SAE 6	U.S.

HYDRAFORCE STANDARD VALVE HOUSINGS			
MATERIAL	OPERATING PRESSURE	PORTS	MFG. LOCATION
Aluminum, 6061 T6511, Clear Anodized	210 bar (3000 psi)	SAE	U.S.
Aluminum, 6082 TF, Gold Tint	210 bar (3000 psi)	BSP	U.K.
Ductile Iron	350 bar (5000 psi)	SAE	U.S.
Ductile Iron	350 bar (5000 psi)	BSP	U.K.