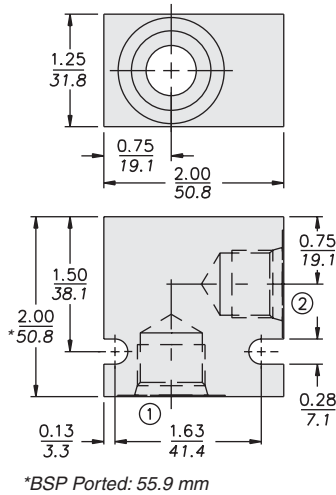


HOUSINGS AND ACCESSORY PRODUCTS

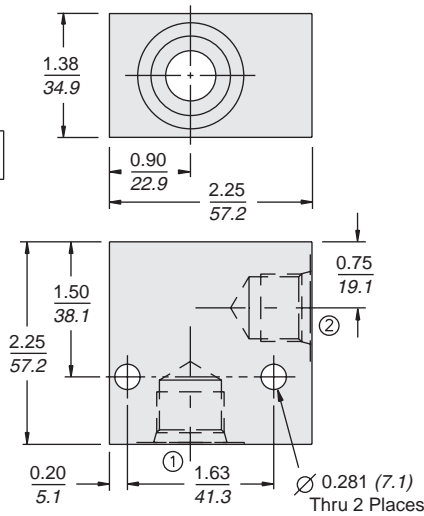
Series 10 Valve Housings

**2-WAY
Aluminum**



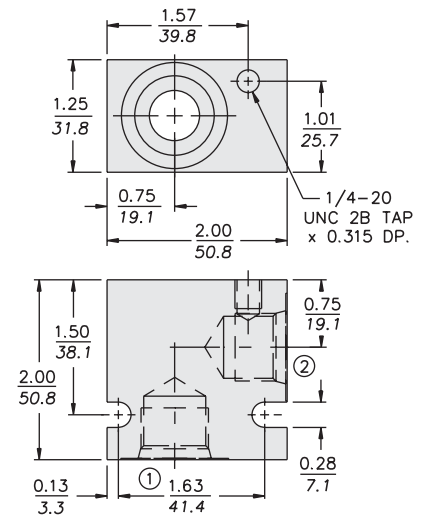
SAE 8 Ported Housing shown

**2-WAY
Ductile Iron**



SAE 8 Ported Housing shown

**2-WAY MR
Aluminum**



**7026180 – MR
For Lock-Down Bracket Use**

Blue Rectangles are links to CAD .stp files.

SERIES 10 2-WAY HOUSINGS					
Code	Part No.	Material	Port 1	Port 2	Mfg. Loc.
6T	7024260	Alum.	SAE 6	SAE 6	U.S.
8T	7024280	Alum.	SAE 8	SAE 8	U.S.
8TL	7026180	Alum.	SAE 8	SAE 8	U.S.*
2B	7028220	Alum.	1/4" BSP	1/4" BSP	U.K.
3B	7028230	Alum.	3/8" BSP	3/8" BSP	U.K.
4B	7028240	Alum.	1/2" BSP	1/2" BSP	U.K.
6TD	7151400	Duct. Iron	SAE 6	SAE 6	U.S.
8TD	7151410	Duct. Iron	SAE 8	SAE 8	U.S.
2BD	7151430	Duct. Iron	1/4" BSP	1/4" BSP	U.K.
3BD	7151440	Duct. Iron	3/8" BSP	3/8" BSP	U.K.
4BD	7151450	Duct. Iron	1/2" BSP	1/2" BSP	U.K.

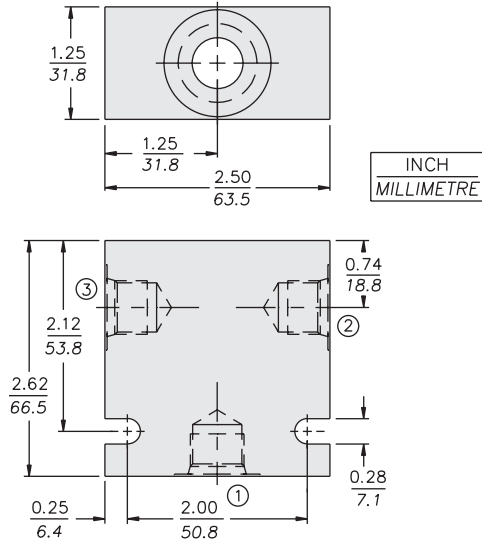
*Drilled and tapped for lock-down bracket

SERIES 10 2-WAY MR HOUSINGS						
Code	Part No.	Material	Port 1	Port 2	Port 3	Mfg. Loc.
8T	7026180	Alum.	SAE 8	SAE 8	SAE 8	U.S.

HYDRAFORCE STANDARD VALVE HOUSINGS			
MATERIAL	OPERATING PRESSURE	PORTS	MFG. LOCATION
Aluminum, 6061 T6511, Clear Anodized	210 bar (3000 psi)	SAE	U.S.
Aluminum, 6082 TF, Gold Tint	210 bar (3000 psi)	BSP	U.K.
Ductile Iron	350 bar (5000 psi)	SAE	U.S.
Ductile Iron	350 bar (5000 psi)	BSP	U.K.

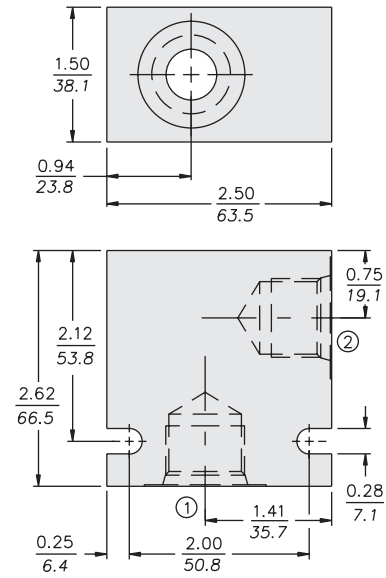
Series 10 Valve Housings

2-WAY Thru-Ported Aluminum



7025680 Illustrated

2-WAY with Oversized Ports Aluminum



7029240 & 7024290

Blue Rectangles are links to CAD .stp files.

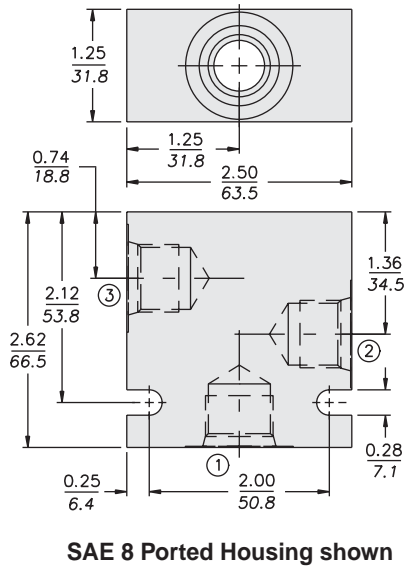
SERIES 10 2-WAY THRU-PORTED HOUSINGS						
Code	Part No.	Material	Port 1	Port 2	Port 3	Mfg. Loc.
6T	7025660	Alum.	SAE 6	SAE 6	SAE 6	U.S.
8T	7025680	Alum.	SAE 8	SAE 8	SAE 8	U.S.

SERIES 10 2-WAY WITH OVERSIZED PORTS					
Code	Part No.	Material	Port 1	Port 2	Mfg. Loc.
10T	7029240	Alum.	SAE 10	SAE 10	U.S.
12T	7024290	Alum.	SAE 12	SAE 12	U.S.

HYDRAFORCE STANDARD VALVE HOUSINGS			
MATERIAL	OPERATING PRESSURE	PORTS	MFG. LOCATION
Aluminum, 6061 T6511, Clear Anodized	210 bar (3000 psi)	SAE	U.S.
Aluminum, 6082 TF, Gold Tint	210 bar (3000 psi)	BSP	U.K.
Ductile Iron	350 bar (5000 psi)	SAE	U.S.
Ductile Iron	350 bar (5000 psi)	BSP	U.K.

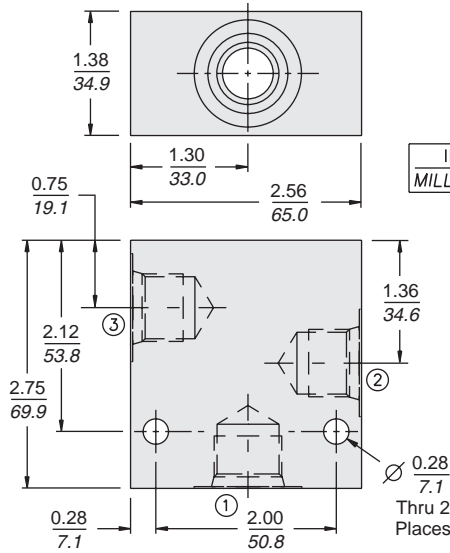
Series 10 Valve Housings

**3-WAY
Aluminum**



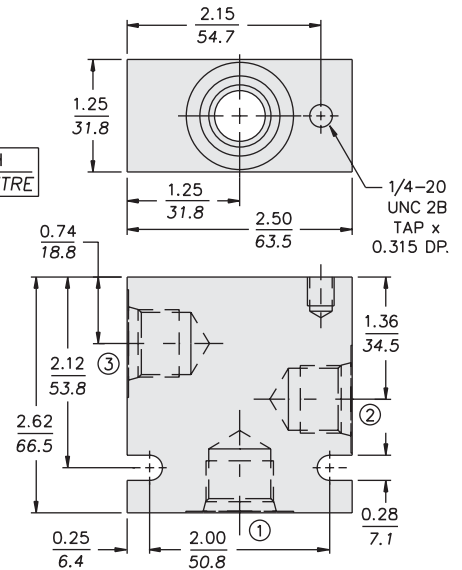
SAE 8 Ported Housing shown

**3-WAY
Ductile Iron**



SAE 8 Ported Housing shown

**3-WAY MR
Aluminum**



7020980 – MR
For Lock-Down Bracket Use

Blue Rectangles are links to CAD .stp files.

SERIES 10 3-WAY HOUSINGS						
Code	Part No.	Material	Port 1	Port 2	Port 3	Mfg. Loc.
6T	7024360	Alum.	SAE 6	SAE 6	SAE 6	U.S.
8T	7024380	Alum.	SAE 8	SAE 8	SAE 8	U.S.
8TL	7020980	Alum.	SAE 8	SAE 8	SAE 8	U.S.*
2B	7028320	Alum.	1/4" BSP	1/4" BSP	1/4" BSP	U.K.
3B	7028330	Alum.	3/8" BSP	3/8" BSP	3/8" BSP	U.K.
6TD	7151500	Duct. Iron	SAE 6	SAE 6	SAE 6	U.S.
8TD	7151510	Duct. Iron	SAE 8	SAE 8	SAE 8	U.S.
2BD	7151530	Duct. Iron	1/4" BSP	1/4" BSP	1/4" BSP	U.K.
3BD	7151540	Duct. Iron	3/8" BSP	3/8" BSP	3/8" BSP	U.K.

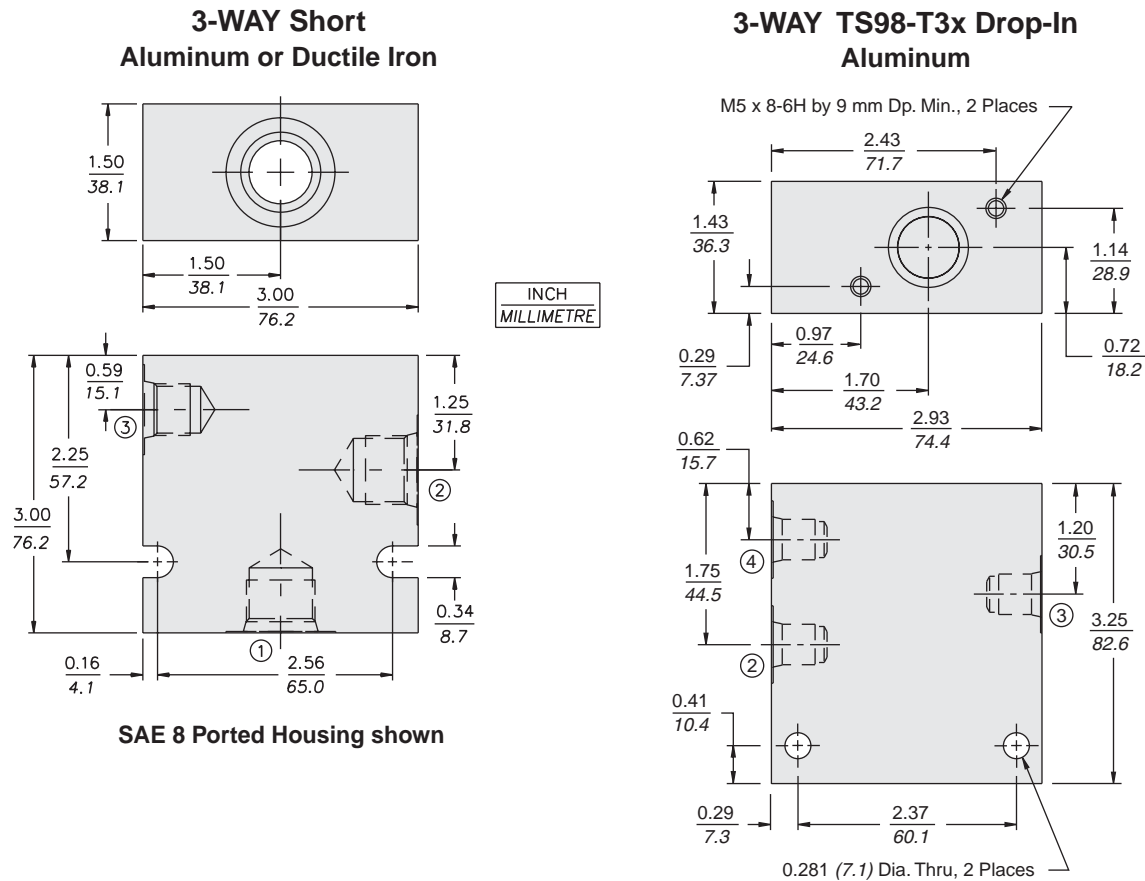
*Drilled and tapped for lock-down bracket

SERIES 10 3-WAY MR HOUSINGS						
Code	Part No.	Material	Port 1	Port 2	Port 3	Mfg. Loc.
8T	7020980	Alum.	SAE 8	SAE 8	SAE 8	U.S.

HYDRAFORCE STANDARD VALVE HOUSINGS			
MATERIAL	OPERATING PRESSURE	PORTS	MFG. LOCATION
Aluminum, 6061 T6511, Clear Anodized	210 bar (3000 psi)	SAE	U.S.
Aluminum, 6082 TF, Gold Tint	210 bar (3000 psi)	BSP	U.K.
Ductile Iron	350 bar (5000 psi)	SAE	U.S.
Ductile Iron	350 bar (5000 psi)	BSP	U.K.

HOUSINGS AND ACCESSORY PRODUCTS

Series 10 Valve Housings



SERIES 10 3-WAY SHORT HOUSINGS						
Code	Part No.	Material	Port 1	Port 2	Port 3	Mfg. Loc.
8T	7026520	Alum.	SAE 8	SAE 8	SAE 6	U.S.
10T	7026530	Alum.	SAE 10	SAE 10	SAE 6	U.S.
8TD	7151610	Duct. Iron	SAE 8	SAE 8	SAE 6	U.S.
10TD	7151620	Duct. Iron	SAE 10	SAE 10	SAE 6	U.S.
3BD	7151650	Duct. Iron	3/8" BSP	3/8" BSP	1/4" BSP	U.K.
4BD	7151660	Duct. Iron	1/2" BSP	1/2" BSP	1/4" BSP	U.K.

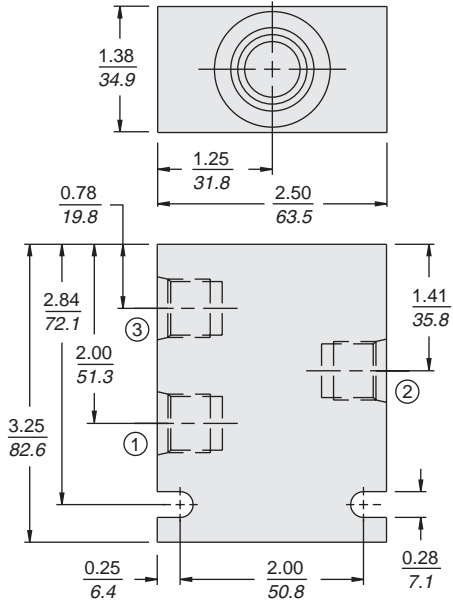
Blue Rectangles are links to CAD .stp files.

SERIES 10 3-WAY TS98-T3x DROP-IN HOUSING						
Code	Part No.	Material	Port 1	Port 2	Port 3	Mfg. Loc.
6T	7150120	Alum.	SAE 6	SAE 6	SAE 6	U.S.

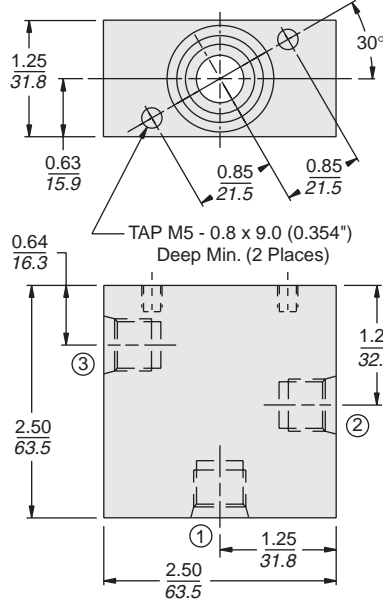
HYDRAFORCE STANDARD VALVE HOUSINGS			
MATERIAL	OPERATING PRESSURE	PORTS	MFG. LOCATION
Aluminum, 6061 T6511, Clear Anodized	210 bar (3000 psi)	SAE	U.S.
Aluminum, 6082 TF, Gold Tint	210 bar (3000 psi)	BSP	U.K.
Ductile Iron	350 bar (5000 psi)	SAE	U.S.
Ductile Iron	350 bar (5000 psi)	BSP	U.K.

Series 10 Valve Housings

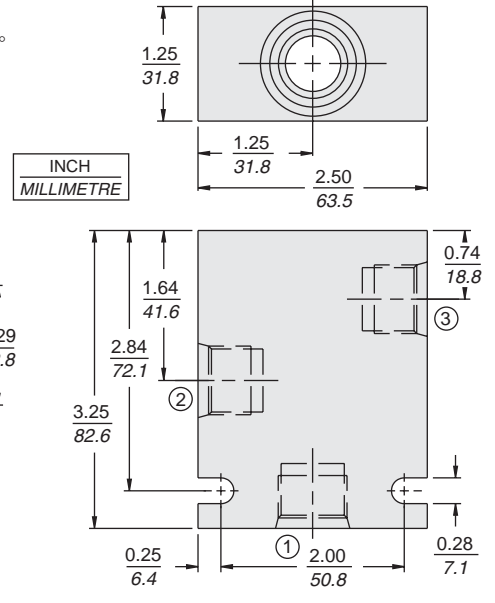
**3-WAY TS98-3x
Aluminum**



**3-WAY 98-T3
Aluminum**



**3-WAY 10-L3
Aluminum**



Blue Rectangles are links to CAD .stp files.

SERIES 10 3-WAY TS98-3x HOUSINGS

Code	Part No.	Material	Port 1	Port 2	Port 3	Mfg. Loc.
6T	7021680	Alum.	SAE 6	SAE 6	SAE 6	U.S.
8T	7021690	Alum.	SAE 8	SAE 8	SAE 8	U.S.

SERIES 10 3-WAY 98-T3 HOUSINGS

Code	Part No.	Material	Port 1	Port 2	Port 3	Mfg. Loc.
6T	7024020	Alum.	SAE 6	SAE 6	SAE 6	U.S.

SERIES 10 3-WAY 10-L3 HOUSINGS*

Code	Part No.	Material	Port 1	Port 2	Port 3	Mfg. Loc.
6T	7025460	Alum.	SAE 6	SAE 6	SAE 6	U.S.
8T	7025480	Alum.	SAE 8	SAE 8	SAE 8	U.S.

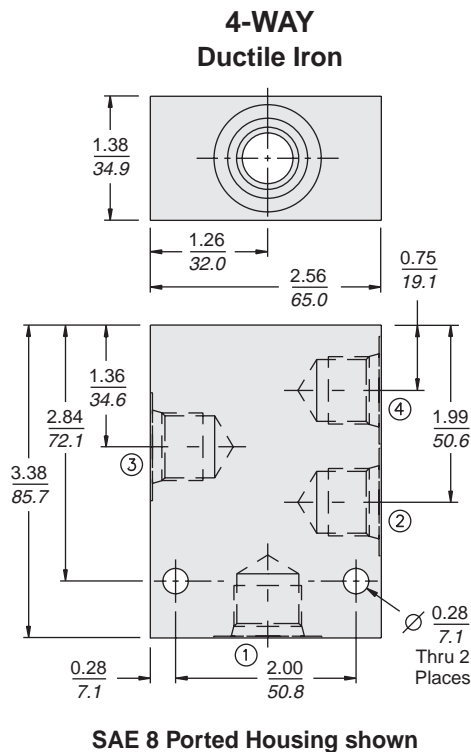
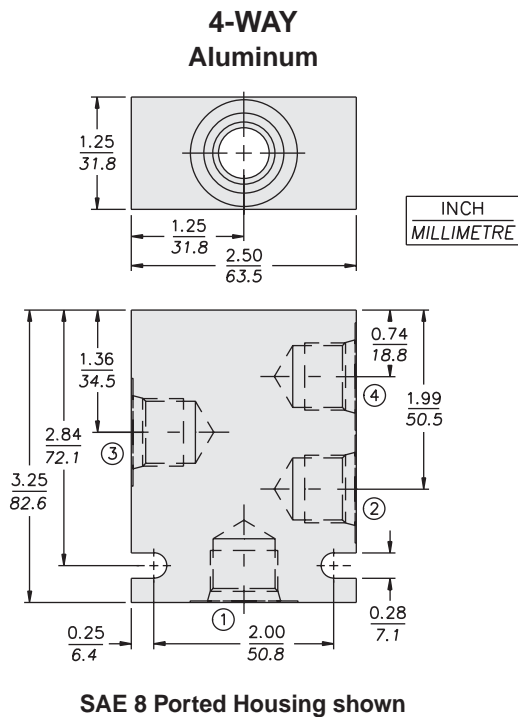
* Used only for ZL70-33 and ZL70-36

HYDRAFORCE STANDARD VALVE HOUSINGS

MATERIAL	OPERATING PRESSURE	PORTS	MFG. LOCATION
Aluminum, 6061 T6511, Clear Anodized	210 bar (3000 psi)	SAE	U.S.
Aluminum, 6082 TF, Gold Tint	210 bar (3000 psi)	BSP	U.K.
Ductile Iron	350 bar (5000 psi)	SAE	U.S.
Ductile Iron	350 bar (5000 psi)	BSP	U.K.

HOUSINGS AND ACCESSORY PRODUCTS

Series 10 Valve Housings



Blue Rectangles are links to CAD .stp files.

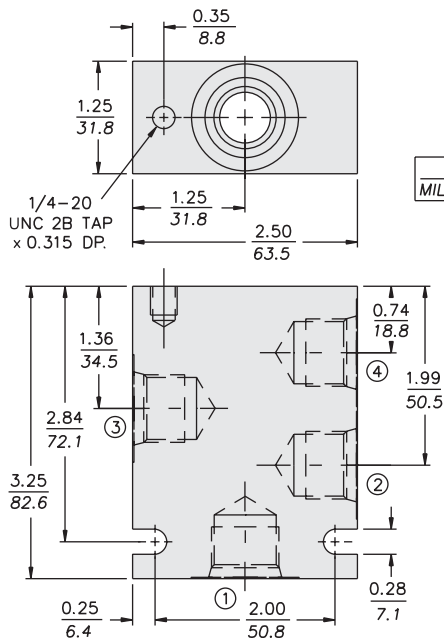
SERIES 10 4-WAY HOUSINGS							
Code	Part No.	Material	Port 1	Port 2	Port 3	Port 4	Mfg. Loc.
6T	7024460	Alum.	SAE 6	SAE 6	SAE 6	SAE 6	U.S.
8T	7024480	Alum.	SAE 8	SAE 8	SAE 8	SAE 8	U.S.
8TL	7023380	Alum.	SAE 8	SAE 8	SAE 8	SAE 8	U.S.*
2B	7028420	Alum.	1/4" BSP	1/4" BSP	1/4" BSP	1/4" BSP	U.K.
3B	7028430	Alum.	3/8" BSP	3/8" BSP	3/8" BSP	3/8" BSP	U.K.
6TD	7151700	Duct. Iron	SAE 6	SAE 6	SAE 6	SAE 6	U.S.
8TD	7151710	Duct. Iron	SAE 8	SAE 8	SAE 8	SAE 8	U.S.
2BD	7151730	Duct. Iron	1/4" BSP	1/4" BSP	1/4" BSP	1/4" BSP	U.K.
3BD	7151740	Duct. Iron	3/8" BSP	3/8" BSP	3/8" BSP	3/8" BSP	U.K.

*Drilled and tapped for lock-down bracket

HYDRAFORCE STANDARD VALVE HOUSINGS			
MATERIAL	OPERATING PRESSURE	PORTS	MFG. LOCATION
Aluminum, 6061 T6511, Clear Anodized	210 bar (3000 psi)	SAE	U.S.
Aluminum, 6082 TF, Gold Tint	210 bar (3000 psi)	BSP	U.K.
Ductile Iron	350 bar (5000 psi)	SAE	U.S.
Ductile Iron	350 bar (5000 psi)	BSP	U.K.

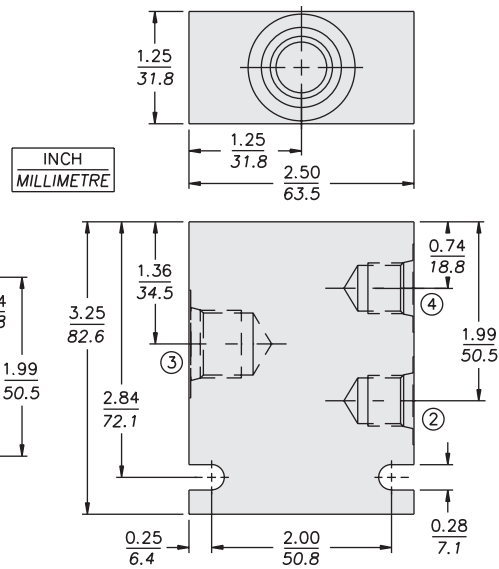
Series 10 Valve Housings

4-WAY MR Aluminum



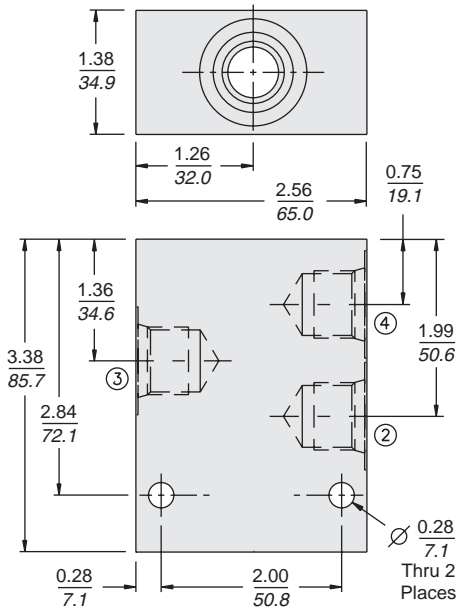
7023380 – MR
For Lock-Down Bracket Use

4-WAY 3-PORT, Special FD-Type, Aluminum



SAE 8 Ported Housing shown

4-WAY 3-PORT, Special FD-Type, Ductile Iron



SAE 8 Ported Housing shown

Blue Rectangles are links to CAD .stp files.

SERIES 10 4-WAY MR HOUSINGS							
Code	Part No.	Material	Port 1	Port 2	Port 3	Port 4	Mfg. Loc.
8T	7023380	Alum.	SAE 8	SAE 8	SAE 8	SAE 8	U.S.

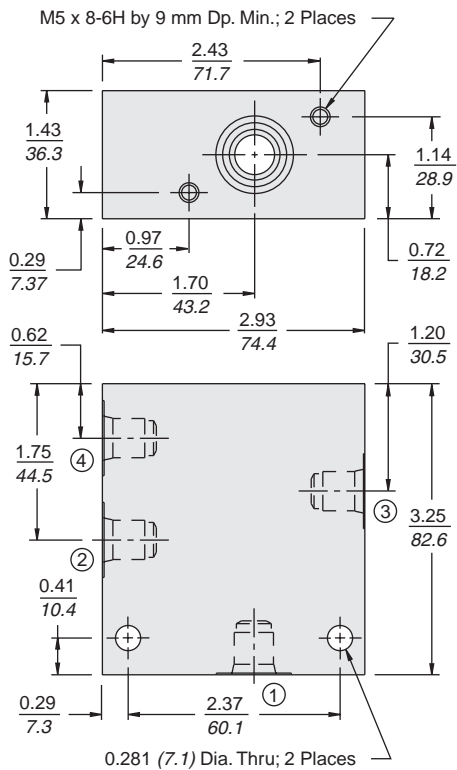
SERIES 10 4-WAY 3-PORTED SPECIAL FD-TYPE HOUSINGS							
Code	Part No.	Material	Port 1	Port 2	Port 3	Port 4	Mfg. Loc.
6T	7027000	Alum.	—	SAE 6	SAE 6	SAE 6	U.S.
8D	7024980	Alum.	—	SAE 6	SAE 8	SAE 6	U.S.
5B	7028540	Alum.	—	3/8" BSP	1/2" BSP	3/8" BSP	U.K.
6TD	7151900	Duct. Iron	—	SAE 6	SAE 6	SAE 6	U.S.
8TD	7151910	Duct. Iron	—	SAE 8	SAE 8	SAE 8	U.S.
8DD	7151920	Duct. Iron	—	SAE 6	SAE 8	SAE 6	U.S.
2BD	7151930	Duct. Iron	—	1/4" BSP	1/4" BSP	1/4" BSP	U.K.
3BD	7151940	Duct. Iron	—	3/8" BSP	3/8" BSP	3/8" BSP	U.K.

HYDRAFORCE STANDARD VALVE HOUSINGS			
MATERIAL	OPERATING PRESSURE	PORTS	MFG. LOCATION
Aluminum, 6061 T6511, Clear Anodized	210 bar (3000 psi)	SAE	U.S.
Aluminum, 6082 TF, Gold Tint	210 bar (3000 psi)	BSP	U.K.
Ductile Iron	350 bar (5000 psi)	SAE	U.S.
Ductile Iron	350 bar (5000 psi)	BSP	U.K.

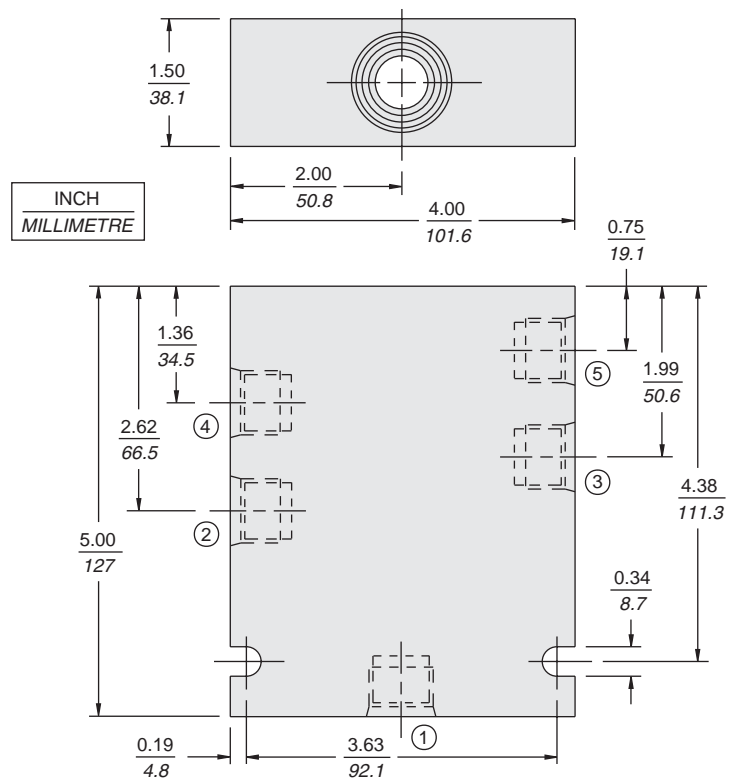
HOUSINGS AND ACCESSORY PRODUCTS

Series 10 Valve Housings

4-WAY SV98-T40 Aluminum



5-WAY Aluminum



Blue Rectangles are links to CAD .stp files.

SERIES 10 4-WAY SV98-T40 HOUSINGS

Code	Part No.	Material	Port 1	Port 2	Port 3	Port 4	Mfg. Loc.
6T	7150020	Alum.	SAE 6	SAE 6	SAE 6	SAE 6	U.S.

SERIES 10 5-WAY HOUSINGS

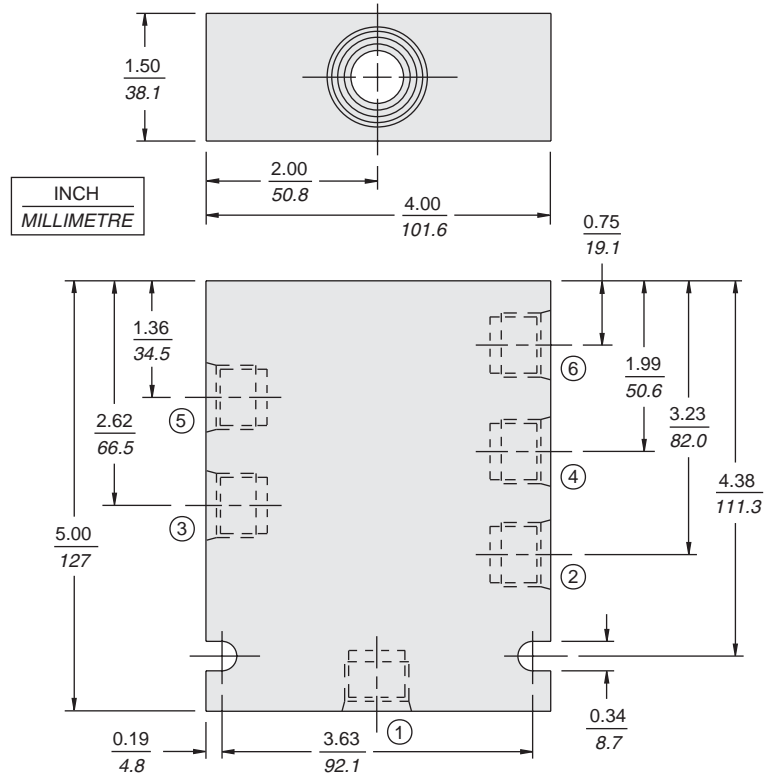
Code	Part No.	Material	Port 1	Port 2	Port 3	Port 4	Port 5	Mfg. Loc.
6T	7022820	Alum.	SAE 6	SAE 6	SAE 6	SAE 6	SAE 6	U.S.
8T	7022830	Alum.	SAE 8	SAE 8	SAE 8	SAE 8	SAE 8	U.S.

HYDRAFORCE STANDARD VALVE HOUSINGS

MATERIAL	OPERATING PRESSURE	PORTS	MFG. LOCATION
Aluminum, 6061 T6511, Clear Anodized	210 bar (3000 psi)	SAE	U.S.
Aluminum, 6082 TF, Gold Tint	210 bar (3000 psi)	BSP	U.K.
Ductile Iron	350 bar (5000 psi)	SAE	U.S.
Ductile Iron	350 bar (5000 psi)	BSP	U.K.

Series 10 Valve Housings

6-WAY Aluminum



Blue Rectangles are links to CAD .stp files.

SERIES 10 6-WAY HOUSINGS									
Code	Part No.	Material	Port 1	Port 2	Port 3	Port 4	Port 5	Port 6	Mfg. Loc.
6T	4553010	Alum.	SAE 6	SAE 6	SAE 6	SAE 6	SAE 6	SAE 6	U.S.
8T	4559030	Alum.	SAE 8	SAE 8	SAE 8	SAE 8	SAE 8	SAE 8	U.S.
2B	4552980	Alum.	1/4" BSP	1/4" BSP	1/4" BSP	1/4" BSP	1/4" BSP	1/4" BSP	U.K.
3B	4552990	Alum.	3/8" BSP	3/8" BSP	3/8" BSP	3/8" BSP	3/8" BSP	3/8" BSP	U.K.

HYDRAFORCE STANDARD VALVE HOUSINGS			
MATERIAL	OPERATING PRESSURE	PORTS	MFG. LOCATION
Aluminum, 6061 T6511, Clear Anodized	210 bar (3000 psi)	SAE	U.S.
Aluminum, 6082 TF, Gold Tint	210 bar (3000 psi)	BSP	U.K.
Ductile Iron	350 bar (5000 psi)	SAE	U.S.
Ductile Iron	350 bar (5000 psi)	BSP	U.K.