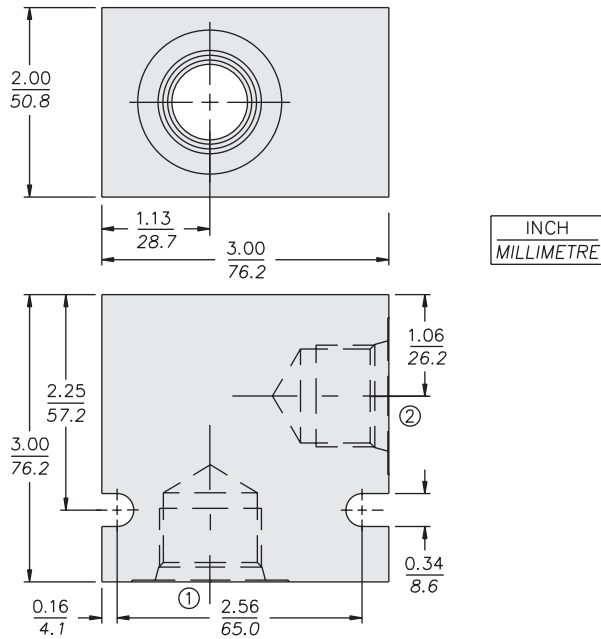


HOUSINGS AND ACCESSORY PRODUCTS

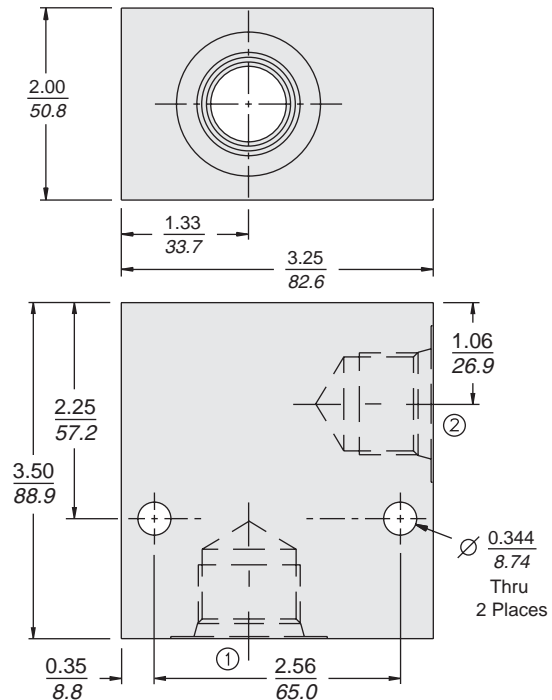
Series 12 Valve Housings

**2-WAY
Aluminum**



SAE 12 Ported Housing shown

**2-WAY
Ductile Iron**



SAE 12 Ported Housing shown

INCH
MILLIMETRE

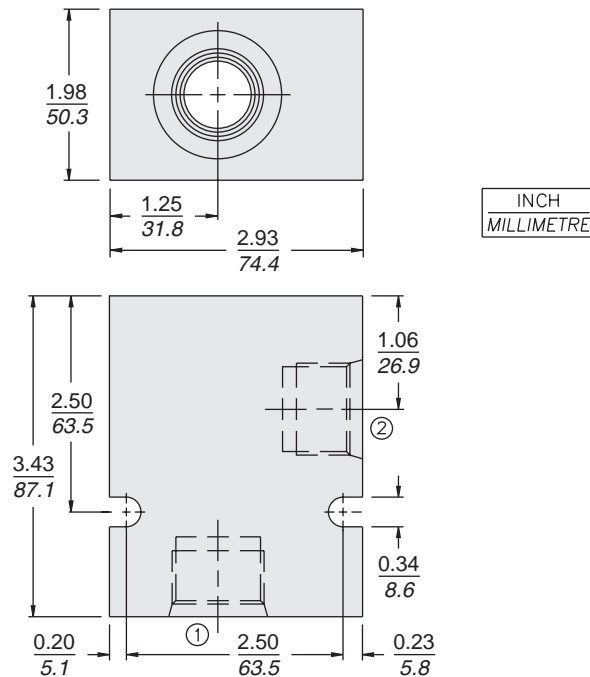
Blue Rectangles are links to CAD .stp files.

SERIES 12 2-WAY HOUSINGS					
Code	Part No.	Material	Port 1	Port 2	Mfg. Loc.
10T	7022240	Alum.	SAE 10	SAE 10	U.S.
12T	7022250	Alum.	SAE 12	SAE 12	U.S.
16T	7022260	Alum.	SAE 16	SAE 16	U.S.
4B	7022510	Alum.	1/2" BSP	1/2" BSP	U.K.
6B	7022520	Alum.	3/4" BSP	3/4" BSP	U.K.
8B	7022530	Alum.	1" BSP	1" BSP	U.K.
10TD	7155000	Duct. Iron	SAE 10	SAE 10	U.S.
12TD	7155010	Duct. Iron	SAE 12	SAE 12	U.S.
16TD	7155020	Duct. Iron	SAE 16	SAE 16	U.S.
4BD	7155040	Duct. Iron	1/2" BSP	1/2" BSP	U.K.
6BD	7155050	Duct. Iron	3/4" BSP	3/4" BSP	U.K.
8BD	7155060	Duct. Iron	1" BSP	1" BSP	U.K.

HYDRAFORCE STANDARD VALVE HOUSINGS			
MATERIAL	OPERATING PRESSURE	PORTS	MFG. LOCATION
Aluminum, 6061 T6511, Clear Anodized	210 bar (3000 psi)	SAE	U.S.
Aluminum, 6082 TF, Gold Tint	210 bar (3000 psi)	BSP	U.K.
Ductile Iron	350 bar (5000 psi)	SAE	U.S.
Ductile Iron	350 bar (5000 psi)	BSP	U.K.

Series 12 Valve Housings

2-WAY 12-L2 Aluminum



Blue Rectangles are links to CAD .stp files.

SERIES 12 2-WAY 12-L2 HOUSINGS*					
Code	Part No.	Material	Port 1	Port 2	Mfg. Loc.
08T	7020650	Alum.	SAE 08	SAE 08	U.S.
10T	7020660	Alum.	SAE 10	SAE 10	U.S.
12T	7020670	Alum.	SAE 12	SAE 12	U.S.

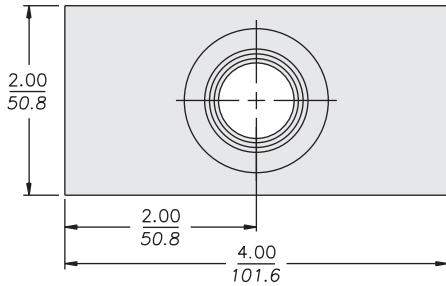
* Designed for use with PV72-20, PV72-21 and FR12-23 valves.

HYDRAFORCE STANDARD VALVE HOUSINGS			
MATERIAL	OPERATING PRESSURE	PORTS	MFG. LOCATION
Aluminum, 6061 T6511, Clear Anodized	210 bar (3000 psi)	SAE	U.S.
Aluminum, 6082 TF, Gold Tint	210 bar (3000 psi)	BSP	U.K.
Ductile Iron	350 bar (5000 psi)	SAE	U.S.
Ductile Iron	350 bar (5000 psi)	BSP	U.K.

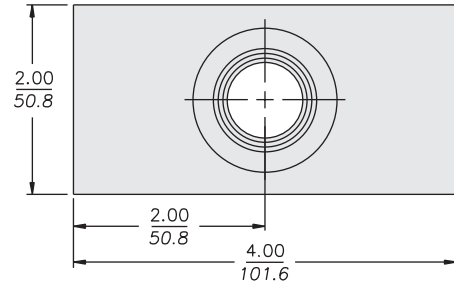
HOUSINGS AND ACCESSORY PRODUCTS

Series 12 Valve Housings

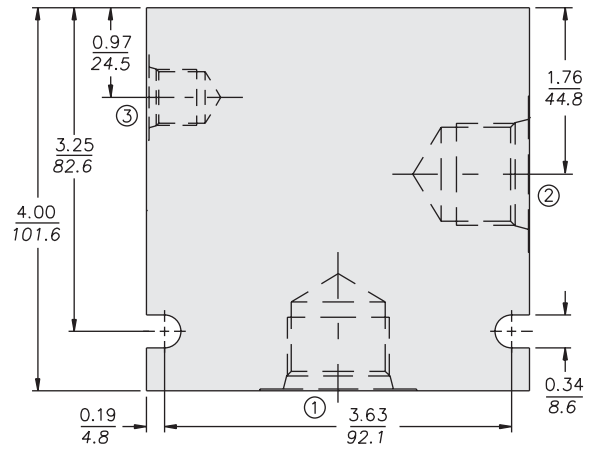
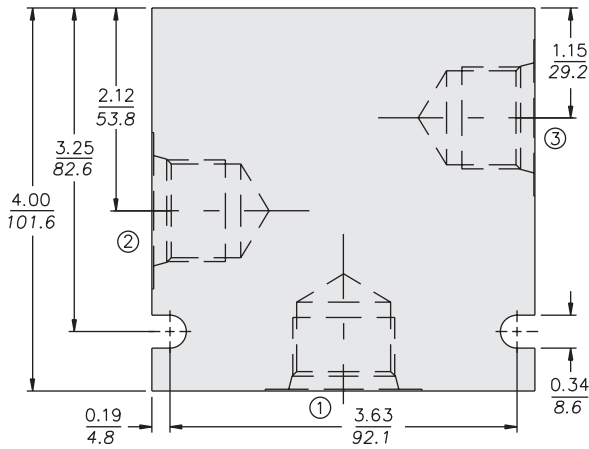
3-WAY
Aluminum or Ductile Iron



3-WAY Short
Aluminum or Ductile Iron



INCH
MILLIMETRE



SAE 12 Ported Housing shown

Blue Rectangles are links to CAD .stp files.

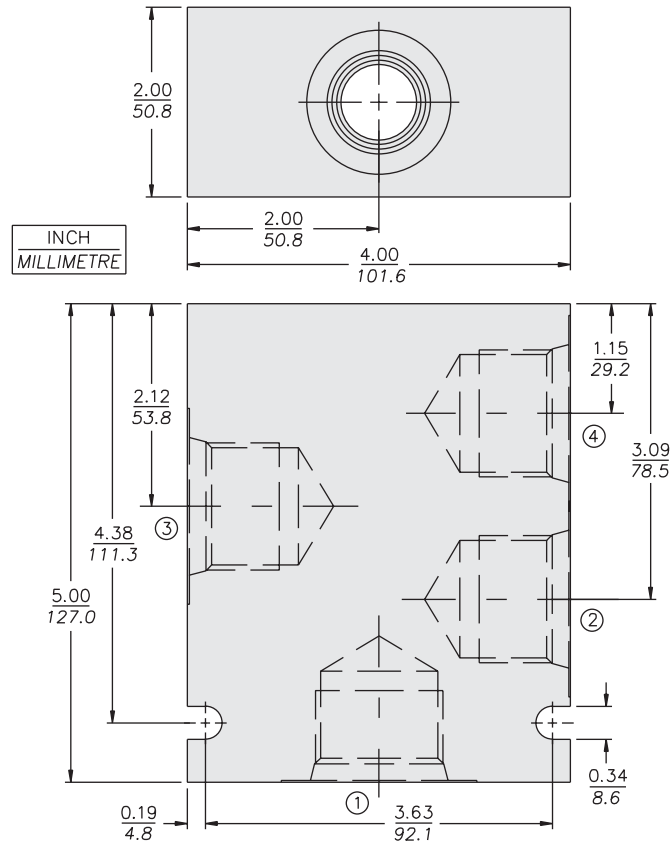
SERIES 12 3-WAY HOUSINGS						
Code	Part No.	Material	Port 1	Port 2	Port 3	Mfg. Loc.
8T	7022320	Alum.	SAE 8	SAE 8	SAE 8	U.S.
10T	7022330	Alum.	SAE 10	SAE 10	SAE 10	U.S.
12T	7022340	Alum.	SAE 12	SAE 12	SAE 12	U.S.
8TD	7155100	Duct. Iron	SAE 8	SAE 8	SAE 8	U.S.
12TD	7155120	Duct. Iron	SAE 12	SAE 12	SAE 12	U.S.
4B	7022610	Alum.	1/2" BSP	1/2" BSP	1/2" BSP	U.K.
6B	7022620	Alum.	3/4" BSP	3/4" BSP	3/4" BSP	U.K.

SERIES 12 3-WAY SHORT HOUSINGS						
Code	Part No.	Material	Port 1	Port 2	Port 3	Mfg. Loc.
12T	7027400	Alum.	SAE 12	SAE 12	SAE 6	U.S.
8TD	7150600	Duct. Iron	SAE 8	SAE 8	SAE 6	U.S.
10TD	7150610	Duct. Iron	SAE 10	SAE 10	SAE 6	U.S.
12TD	7150620	Duct. Iron	SAE 12	SAE 12	SAE 6	U.S.
4BD	7150650	Duct. Iron	1/2" BSP	1/2" BSP	3/8" BSP	U.K.
6BD	7150660	Duct. Iron	3/4" BSP	3/4" BSP	3/8" BSP	U.K.

HYDRAFORCE STANDARD VALVE HOUSINGS			
MATERIAL	OPERATING PRESSURE	PORTS	MFG. LOCATION
Aluminum, 6061 T6511, Clear Anodized	210 bar (3000 psi)	SAE	U.S.
Aluminum, 6082 TF, Gold Tint	210 bar (3000 psi)	BSP	U.K.
Ductile Iron	350 bar (5000 psi)	SAE	U.S.
Ductile Iron	350 bar (5000 psi)	BSP	U.K.

Series 12 Valve Housings

4-WAY Aluminum or Ductile Iron



SAE 12 Ported Housing shown

Blue Rectangles are links to CAD .stp files.

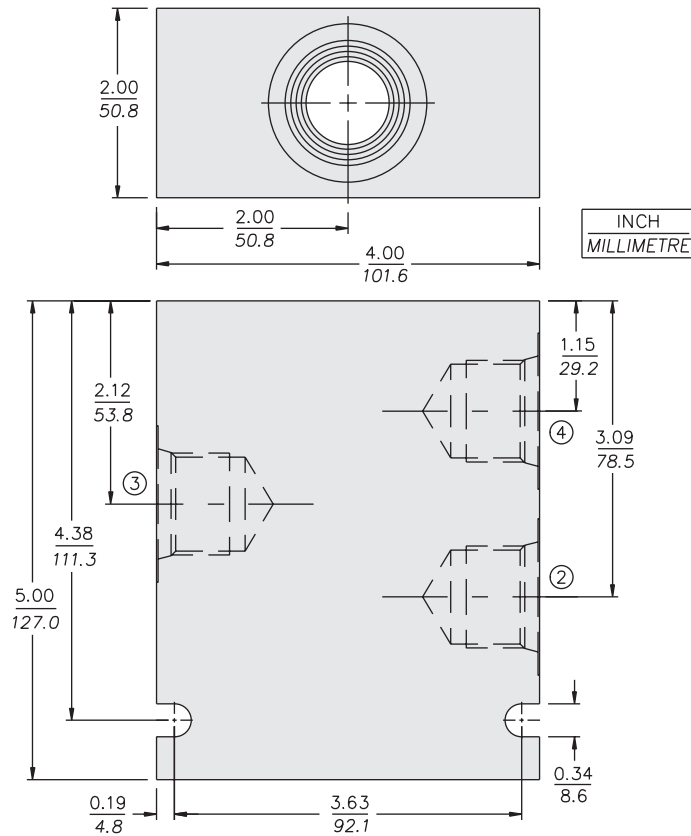
SERIES 12 4-WAY HOUSINGS							
Code	Part No.	Material	Port 1	Port 2	Port 3	Port 4	Mfg. Loc.
6B	7022720	Alum.	3/4" BSP	3/4" BSP	3/4" BSP	3/4" BSP	U.K.
10T	7022480	Alum.	SAE 10	SAE 10	SAE 10	SAE 10	U.S.
12T	7022470	Alum.	SAE 12	SAE 12	SAE 12	SAE 12	U.S.
10T*	7022460	Alum.	SAE 6	SAE 10	SAE 10	SAE 10	U.S.
12T*	7022440	Alum.	SAE 6	SAE 12	SAE 12	SAE 12	U.S.
8TD	7150700	Duct. Iron	SAE 8	SAE 8	SAE 8	SAE 8	U.S.
10TD	7150710	Duct. Iron	SAE 10	SAE 10	SAE 10	SAE 10	U.S.
12 TD	7150720	Duct. Iron	SAE 12	SAE 12	SAE 12	SAE 12	U.S.
4BD	7150750	Duct. Iron	1/2" BSP	1/2" BSP	1/2" BSP	1/2" BSP	U.S.
6BD	7150760	Duct. Iron	3/4" BSP	3/4" BSP	3/4" BSP	3/4" BSP	U.S.

*PD-TYPE BODY

HYDRAFORCE STANDARD VALVE HOUSINGS			
MATERIAL	OPERATING PRESSURE	PORTS	MFG. LOCATION
Aluminum, 6061 T6511, Clear Anodized	210 bar (3000 psi)	SAE	U.S.
Aluminum, 6082 TF, Gold Tint	210 bar (3000 psi)	BSP	U.K.
Ductile Iron	350 bar (5000 psi)	SAE	U.S.
Ductile Iron	350 bar (5000 psi)	BSP	U.K.

Series 12 Valve Housings

4-WAY 3-PORT Special FD-Type, Aluminum or Ductile Iron



SAE 12 Ported Housing shown

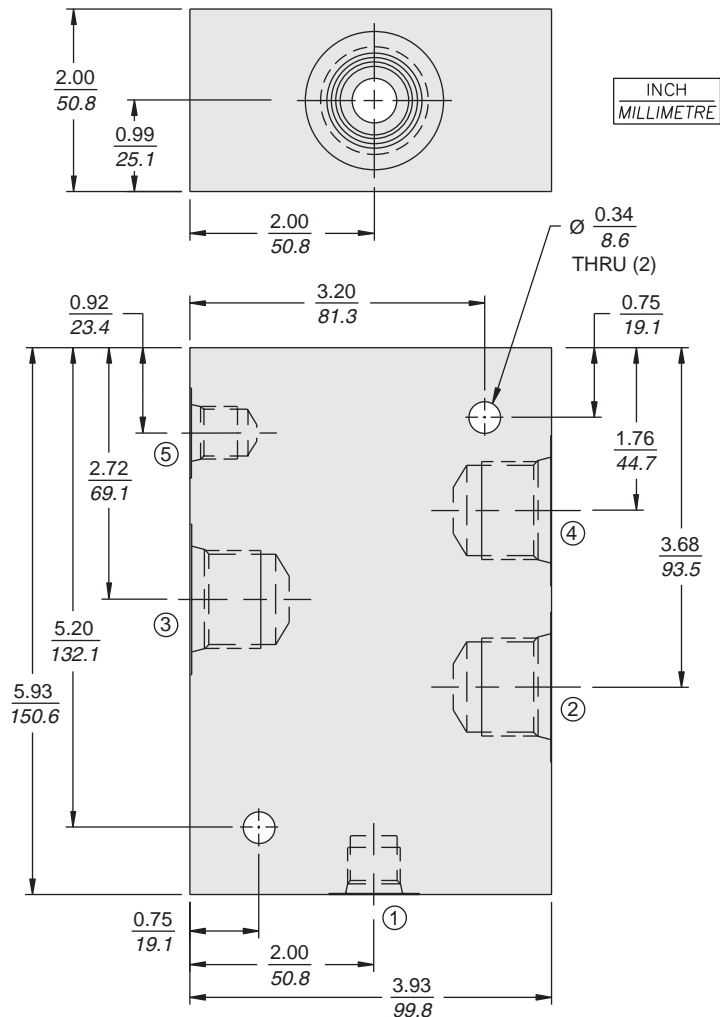
[Blue Rectangles are links to CAD .stp files.](#)

SERIES 12 4-WAY 3-PORT SPECIAL FD-TYPE HOUSINGS							
Code	Part No.	Material	Port 1	Port 2	Port 3	Port 4	Mfg. Loc.
10T	7022450	Alum.	—	SAE 10	SAE 10	SAE 10	U.S.
12T	7022430	Alum.	—	SAE 12	SAE 12	SAE 12	U.S.
8TD	7150800	Duct. Iron	—	SAE 8	SAE 8	SAE 8	U.S.
10TD	7150810	Duct. Iron	—	SAE 10	SAE 10	SAE 10	U.S.
12TD	7150820	Duct. Iron	—	SAE 12	SAE 12	SAE 12	U.S.
4BD	7150850	Duct. Iron	—	1/2" BSP	1/2" BSP	1/2" BSP	U.K.
6BD	7150860	Duct. Iron	—	3/4" BSP	3/4" BSP	3/4" BSP	U.K.

HYDRAFORCE STANDARD VALVE HOUSINGS			
MATERIAL	OPERATING PRESSURE	PORTS	MFG. LOCATION
Aluminum, 6061 T6511, Clear Anodized	210 bar (3000 psi)	SAE	U.S.
Aluminum, 6082 TF, Gold Tint	210 bar (3000 psi)	BSP	U.K.
Ductile Iron	350 bar (5000 psi)	SAE	U.S.
Ductile Iron	350 bar (5000 psi)	BSP	U.K.

Series 12 Valve Housings

5-WAY PD-Type, Aluminum

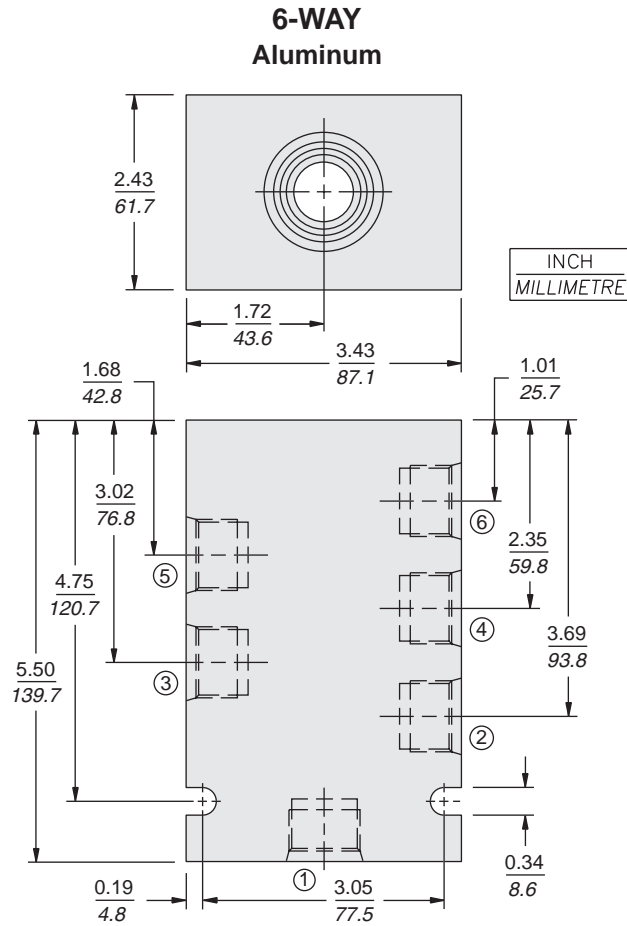


Blue Rectangles are links to CAD .stp files.

SERIES 12 5-WAY PD-TYPE HOUSINGS								
Code	Part No.	Material	Port 1	Port 2	Port 3	Port 4	Port 5	Mfg. Loc.
10T	7029900	Alum.	SAE 6	SAE 10	SAE 10	SAE 10	SAE 6	U.S.
12T	7029910	Alum.	SAE 6	SAE 12	SAE 12	SAE 12	SAE 6	U.S.

HYDRAFORCE STANDARD VALVE HOUSINGS			
MATERIAL	OPERATING PRESSURE	PORTS	MFG. LOCATION
Aluminum, 6061 T6511, Clear Anodized	210 bar (3000 psi)	SAE	U.S.
Aluminum, 6082 TF, Gold Tint	210 bar (3000 psi)	BSP	U.K.
Ductile Iron	350 bar (5000 psi)	SAE	U.S.
Ductile Iron	350 bar (5000 psi)	BSP	U.K.

Series 12 Valve Housings



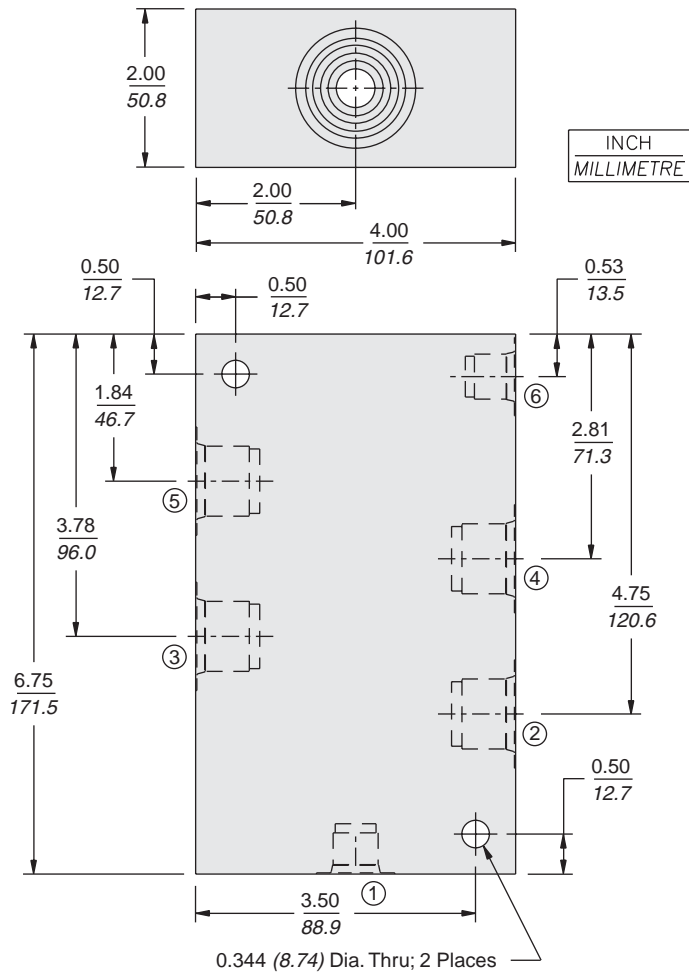
Blue Rectangles are links to CAD .stp files.

SERIES 12 6-WAY HOUSINGS									
Code	Part No.	Material	Port 1	Port 2	Port 3	Port 4	Port 5	Port 6	Mfg. Loc.
6T	7021460	Alum.	SAE 6	SAE 6	SAE 6	SAE 6	SAE 6	SAE 6	U.S.
8T	7021470	Alum.	SAE 8	SAE 8	SAE 8	SAE 8	SAE 8	SAE 8	U.S.
10T	7021480	Alum.	SAE 10	SAE10	SAE 10	SAE 10	SAE 10	SAE10	U.S.

HYDRAFORCE STANDARD VALVE HOUSINGS			
MATERIAL	OPERATING PRESSURE	PORTS	MFG. LOCATION
Aluminum, 6061 T6511, Clear Anodized	210 bar (3000 psi)	SAE	U.S.
Aluminum, 6082 TF, Gold Tint	210 bar (3000 psi)	BSP	U.K.
Ductile Iron	350 bar (5000 psi)	SAE	U.S.
Ductile Iron	350 bar (5000 psi)	BSP	U.K.

Series 12 Valve Housings

6-WAY, 12-S6 Test Housing PD/PE-Type, Ductile Iron



SERIES 12 6-WAY 12-S6 PD/PE-TYPE TEST HOUSING									
Code	Part No.	Material	Port 1	Port 2	Port 3	Port 4	Port 5	Port 6	Mfg. Loc.
10TD	7150250	Duct. Iron	SAE 6	SAE 10	SAE 10	SAE 10	SAE 10	SAE 6	U.S.

HYDRAFORCE STANDARD VALVE HOUSINGS			
MATERIAL	OPERATING PRESSURE	PORTS	MFG. LOCATION
Aluminum, 6061 T6511, Clear Anodized	210 bar (3000 psi)	SAE	U.S.
Aluminum, 6082 TF, Gold Tint	210 bar (3000 psi)	BSP	U.K.
Ductile Iron	350 bar (5000 psi)	SAE	U.S.
Ductile Iron	350 bar (5000 psi)	BSP	U.K.