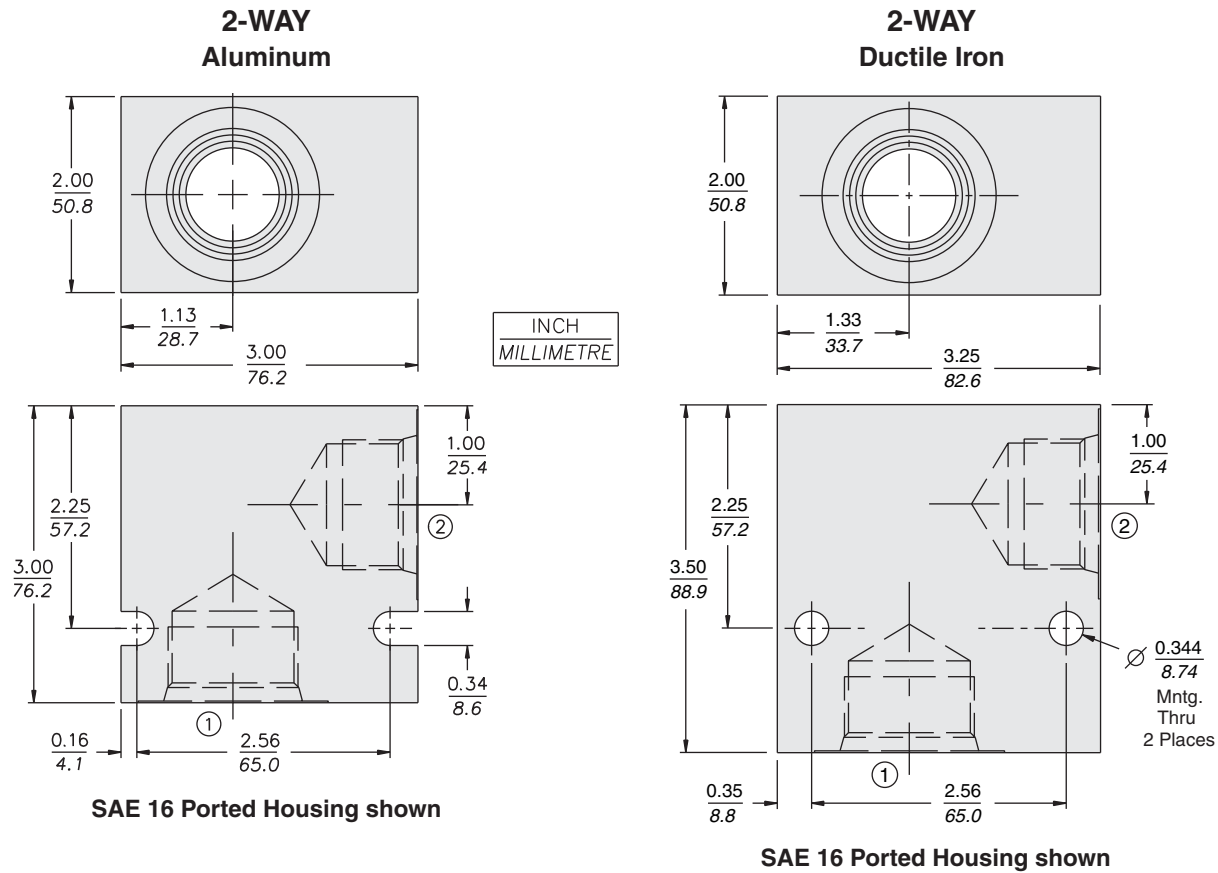


# HOUSINGS AND ACCESSORY PRODUCTS

## Series 16 Valve Housings



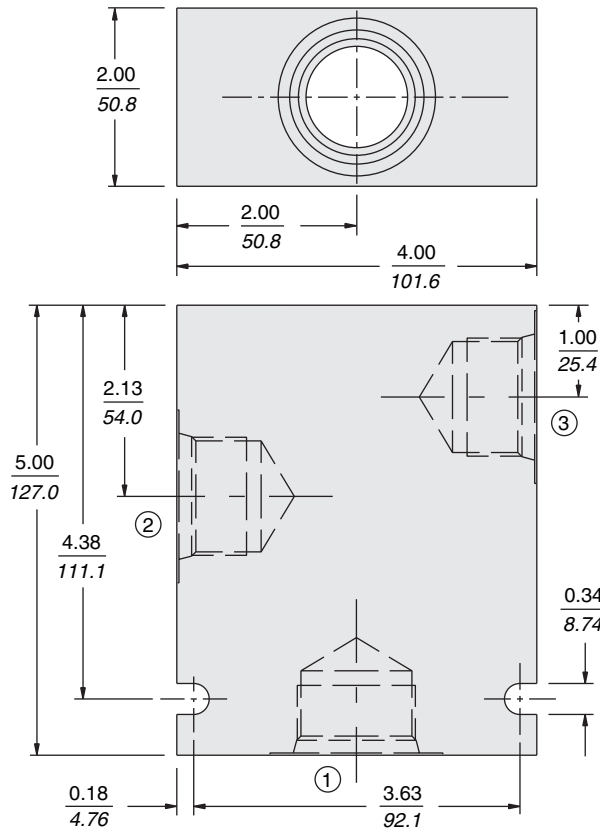
Blue Rectangles are links to CAD .stp files.

SERIES 16 2-WAY HOUSINGS					
Code	Part No.	Material	Port 1	Port 2	Mfg. Loc.
12T	7023230	Alum.	SAE 12	SAE 12	U.S.
16T	7023240	Alum.	SAE 16	SAE 16	U.S.
6B	7023610	Alum.	3/4" BSP	3/4" BSP	U.K.
8B	7023620	Alum.	1" BSP	1" BSP	U.K.
10TD	7152000	Duct. Iron	SAE 10	SAE 10	U.S.
12TD	7152010	Duct. Iron	SAE 12	SAE 12	U.S.
16TD	7152020	Duct. Iron	SAE 16	SAE 16	U.S.
6BD	7152040	Duct. Iron	3/4" BSP	3/4" BSP	U.K.
8BD	7152050	Duct. Iron	1" BSP	1" BSP	U.K.

HYDRAFORCE STANDARD VALVE HOUSINGS			
MATERIAL	OPERATING PRESSURE	PORTS	MFG. LOCATION
Aluminum, 6061 T6511, Clear Anodized	210 bar (3000 psi)	SAE	U.S.
Aluminum, 6082 TF, Gold Tint	210 bar (3000 psi)	BSP	U.K.
Ductile Iron	350 bar (5000 psi)	SAE	U.S.
Ductile Iron	350 bar (5000 psi)	BSP	U.K.

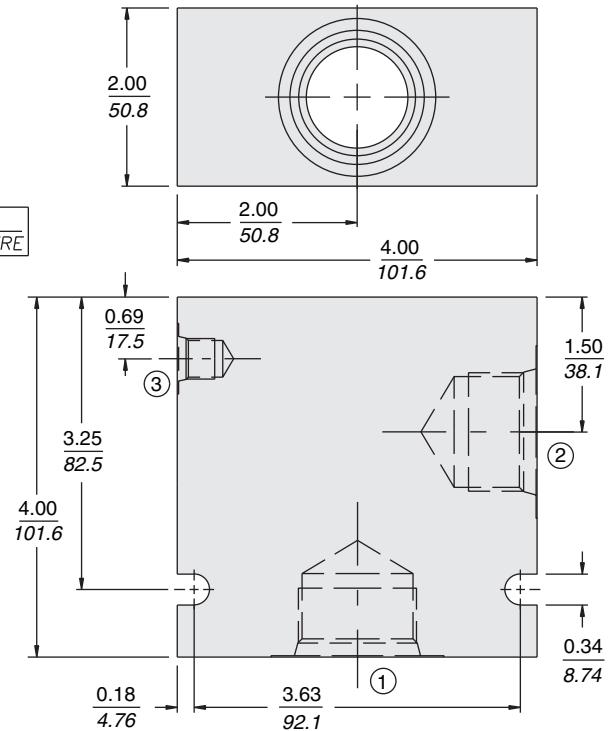
# Series 16 Valve Housings

## 3-WAY Aluminum



SAE 16 Ported Housing shown

## 3-WAY Short Aluminum or Ductile Iron



SAE 16 Ported Housing shown

Blue Rectangles are links to CAD .stp files.

SERIES 16 3-WAY HOUSINGS						
Code	Part No.	Material	Port 1	Port 2	Port 3	Mfg. Loc.
12T	7022650	Alum.	SAE 12	SAE 12	SAE 12	U.S.
16T	7022660	Alum.	SAE 16	SAE 16	SAE 16	U.S.

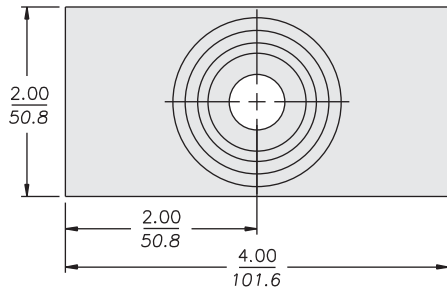
SERIES 16 3-WAY SHORT HOUSINGS						
Code	Part No.	Material	Port 1	Port 2	Port 3	Mfg. Loc.
16T	7023340	Alum.	SAE 16	SAE 16	SAE 6	U.S.
12TD	7152210	Duct. Iron	SAE 12	SAE 12	SAE 6	12TD
16TD	7152220	Duct. Iron	SAE 16	SAE 16	SAE 6	16TD
6BD	7152240	Duct. Iron	3/4" BSP	3/4" BSP	3/8" BSP	6BD
8BD	7152250	Duct. Iron	1" BSP	1" BSP	3/8" BSP	8BD

HYDRAFORCE STANDARD VALVE HOUSINGS			
MATERIAL	OPERATING PRESSURE	PORTS	MFG. LOCATION
Aluminum, 6061 T6511, Clear Anodized	210 bar (3000 psi)	SAE	U.S.
Aluminum, 6082 TF, Gold Tint	210 bar (3000 psi)	BSP	U.K.
Ductile Iron	350 bar (5000 psi)	SAE	U.S.
Ductile Iron	350 bar (5000 psi)	BSP	U.K.

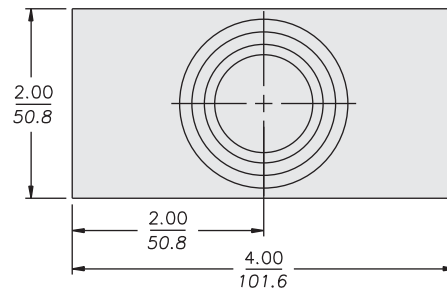
# HOUSINGS AND ACCESSORY PRODUCTS

## Series 16 Valve Housings

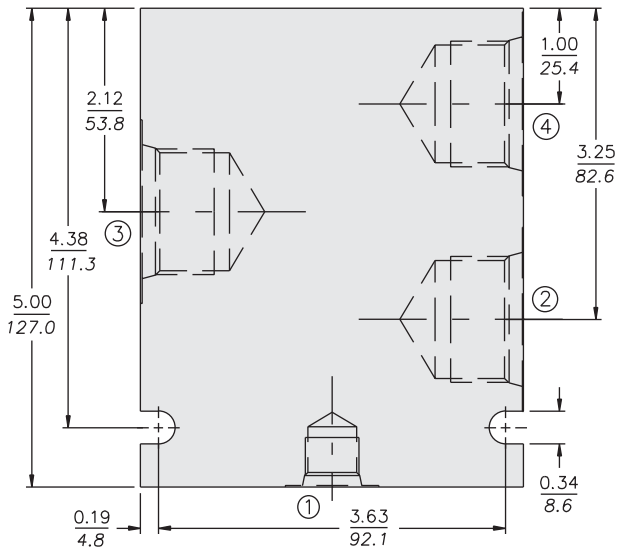
**4-WAY  
Aluminum**



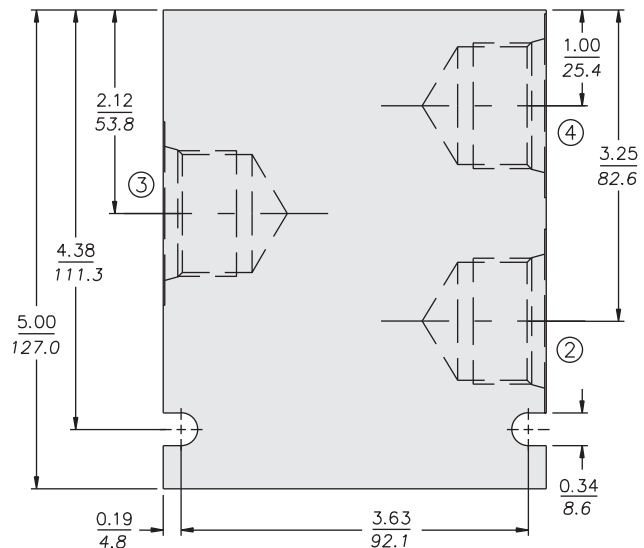
**4-WAY 3-PORT  
Special FD-Type, Aluminum or Ductile Iron**



INCH  
MILLIMETRE



PD-Type with SAE 16 Ported Housing shown



SAE 16 Ported Housing shown

Blue Rectangles are links to CAD .stp files.

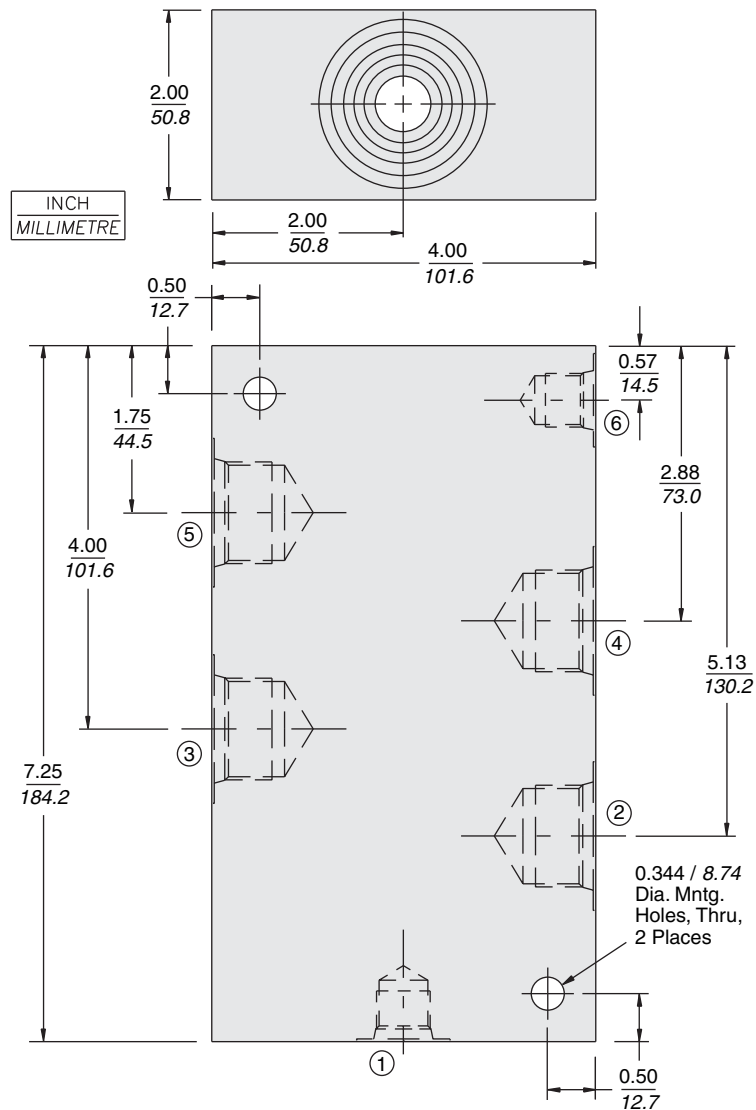
SERIES 16 4-WAY HOUSINGS							
Code	Part No.	Material	Port 1	Port 2	Port 3	Port 4	Mfg. Loc.
6B	7023810	Alum.	3/8" BSP	3/4" BSP	3/4" BSP	3/4" BSP	U.K.
8B	7023820	Alum.	3/8" BSP	1" BSP	1" BSP	1" BSP	U.K.
12T*	7023450	Alum.	SAE 6	SAE 12	SAE 12	SAE 12	U.S.
16T*	7023470	Alum.	SAE 6	SAE 16	SAE 16	SAE 16	U.S.

\*PD-TYPE BODY

SERIES 16 4-WAY 3-PORT SPECIAL FD-TYPE HOUSINGS							
Code	Part No.	Material	Port 1	Port 2	Port 3	Port 4	Mfg. Loc.
12T	7023440	Alum.	—	SAE 12	SAE 12	SAE 12	U.S.
16D	7023480	Alum.	—	SAE 12	SAE 16	SAE 12	U.S.
16T	7023460	Alum.	—	SAE 16	SAE 16	SAE 16	U.S.
6B	7029140	Alum.	—	3/4" BSP	3/4" BSP	3/4" BSP	U.K.
7B	7029160	Alum.	—	3/4" BSP	1" BSP	3/4" BSP	U.K.
8B	7029150	Alum.	—	1" BSP	1" BSP	1" BSP	U.K.
10TD	7152400	Duct. Iron	—	SAE 10	SAE 10	SAE 10	U.S.
12TD	7152410	Duct. Iron	—	SAE 12	SAE 12	SAE 12	U.S.
16TD	7152420	Duct. Iron	—	SAE 16	SAE 16	SAE 16	U.S.
16DD	7152430	Duct. Iron	—	SAE 12	SAE 16	SAE 12	U.S.
6BD	7152440	Duct. Iron	—	3/4" BSP	3/4" BSP	3/4" BSP	U.K.
8BD	7152450	Duct. Iron	—	1" BSP	1" BSP	1" BSP	U.K.
8FD	7152460	Duct. Iron	—	3/4" BSP	1" BSP	3/4" BSP	U.K.

# Series 16 Valve Housings

## 6-WAY 16-S6 Test Housing PD/PE-Type, Ductile Iron



SAE 12 Ported Housing shown

SERIES 16 6-WAY PD/PE-TYPE 16-S6 TEST HOUSINGS									
Code	Part No.	Material	Port 1	Port 2	Port 3	Port 4	Port 5	Port 6	Mfg. Loc.
6BD	7150310	Ductile Iron	1/4 BSP	3/4 BSP	3/4 BSP	3/4 BSP	3/4 BSP	1/4 BSP	U.K.
8BD	7150320	Ductile Iron	1/4 BSP	1 BSP	1 BSP	1 BSP	1 BSP	1/4 BSP	U.K.
12TD	7150350	Ductile Iron	SAE 6	SAE 12	SAE 12	SAE 12	SAE 12	SAE 6	U.S.
16TD	7150360	Ductile Iron	SAE 6	SAE 16	SAE 16	SAE 16	SAE 16	SAE 6	U.S.