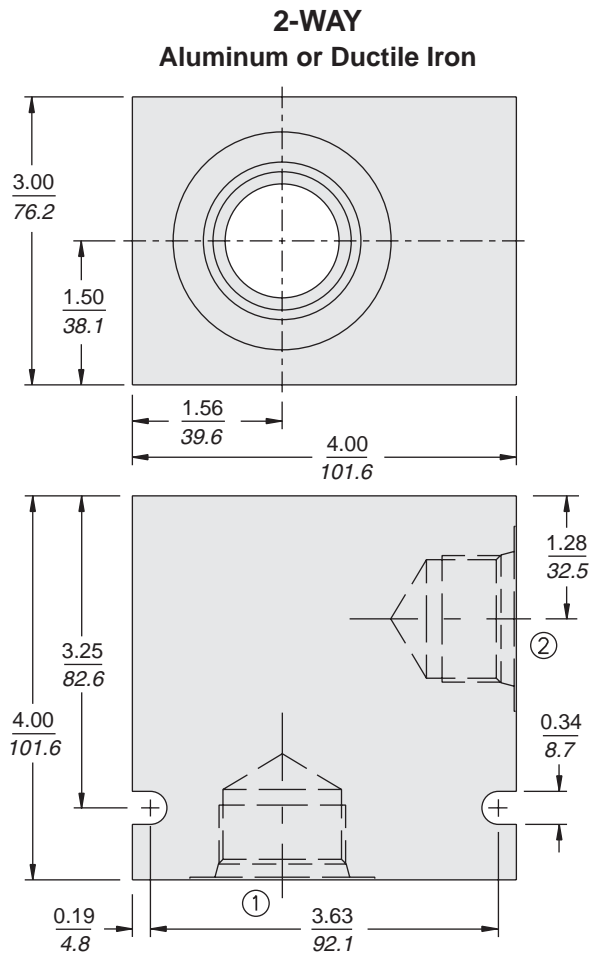
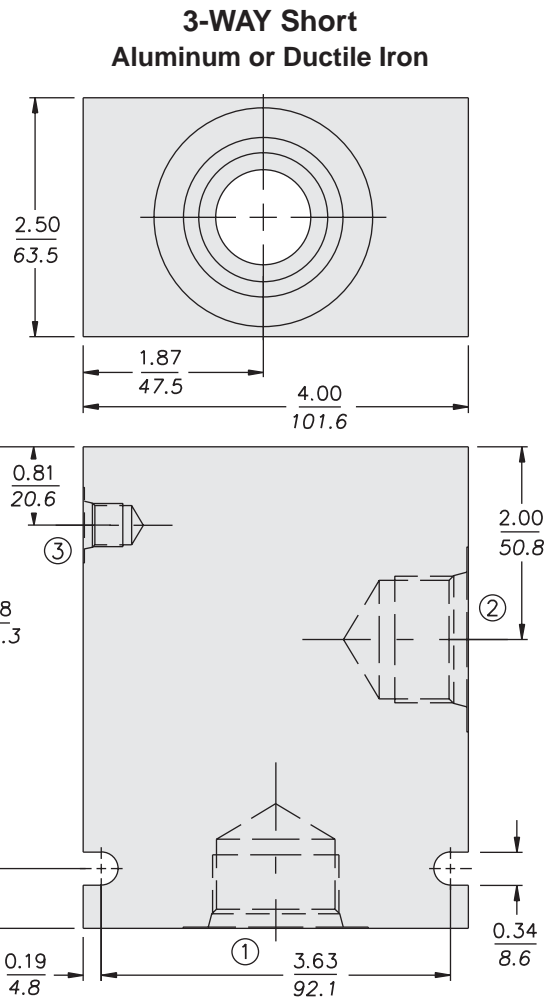


HOUSINGS AND ACCESSORY PRODUCTS

Series 20 Valve Housings



INCH
MILLIMETRE



SERIES 20 2-WAY HOUSINGS					
Code	Part No.	Material	Port 1	Port 2	Mfg. Loc.
16T	4553840	Alum.	SAE 16	SAE 16	U.S.
20T	4553850	Alum.	SAE 20	SAE 20	U.S.
16TD	4553860	Duct. Iron	SAE 16	SAE 16	U.S.
20TD	4553870	Duct. Iron	SAE 20	SAE 20	U.S.

Blue Rectangles are links
to CAD .stp files.

SERIES 20 3-WAY SHORT HOUSINGS						
Code	Part No.	Material	Port 1	Port 2	Port 3	Mfg. Loc.
16T	7023130	Alum.	SAE 16	SAE 16	SAE 6	U.S.
12TD	7153200	Duct. Iron	SAE 12	SAE 12	SAE 6	U.S.
16TD	7153210	Duct. Iron	SAE 16	SAE 16	SAE 6	U.S.
8BD	7153250	Duct. Iron	1" BSP	1" BSP	3/8" BSP	U.K.
10BD	7153260	Duct. Iron	1-1/4" BSP	1-1/4" BSP	3/8" BSP	U.K.

HYDRAFORCE STANDARD VALVE HOUSINGS			
MATERIAL	OPERATING PRESSURE	PORTS	MFG. LOCATION
Aluminum, 6061 T6511, Clear Anodized	210 bar (3000 psi)	SAE	U.S.
Aluminum, 6082 TF, Gold Tint	210 bar (3000 psi)	BSP	U.K.
Ductile Iron	350 bar (5000 psi)	SAE	U.S.
Ductile Iron	350 bar (5000 psi)	BSP	U.K.