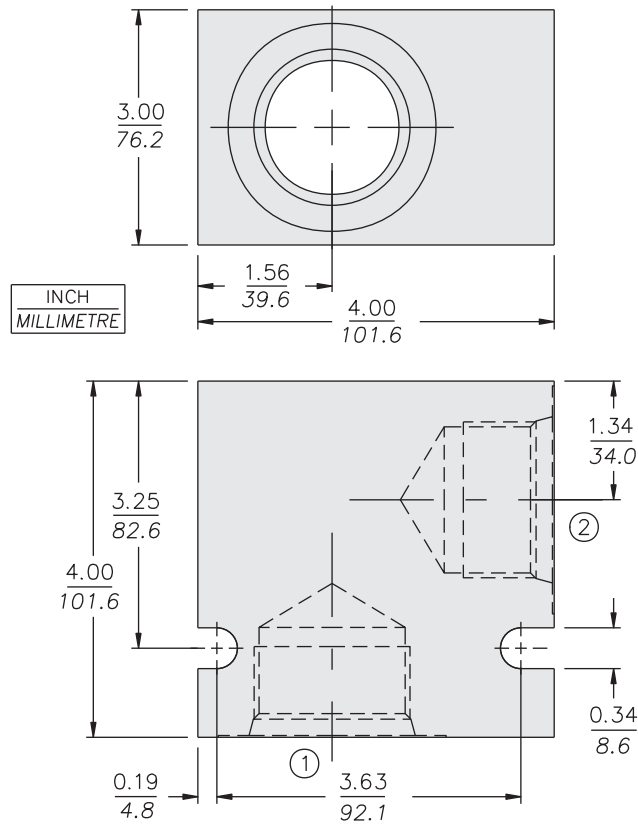


Series 42 Valve Housings

2-WAY M2 Aluminum or Ductile Iron



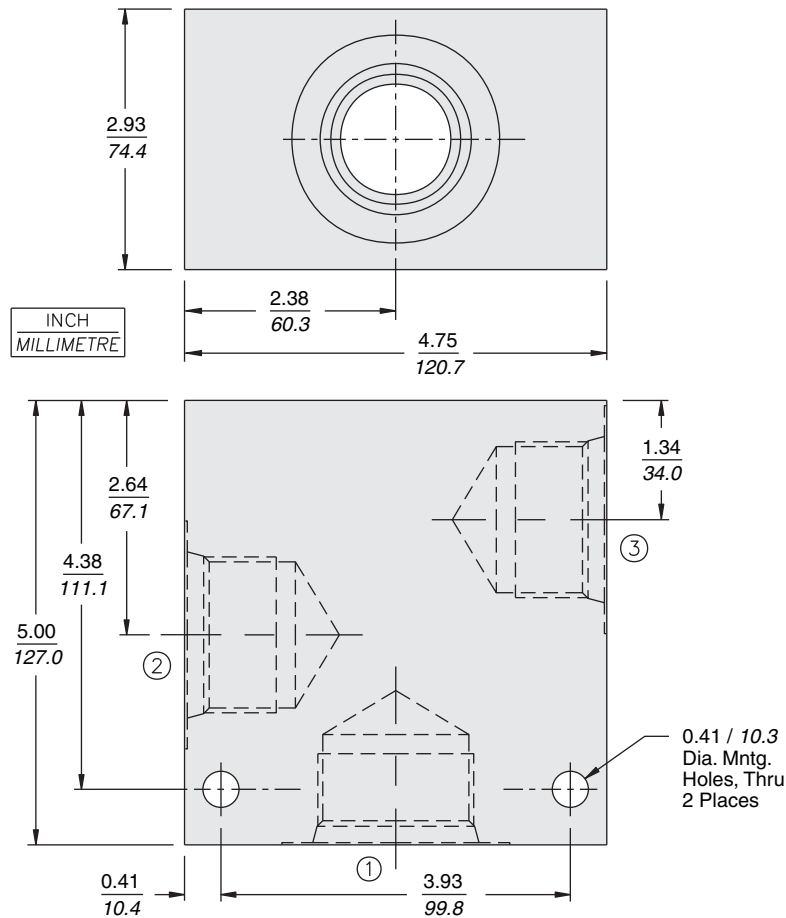
Blue Rectangles are links to CAD .stp files.

SERIES 42 2-WAY HOUSINGS					
Code	Part No.	Material	Port 1	Port 2	Mfg. Loc.
20T	7022580	Alum.	SAE 20	SAE 20	U.S.
16TD	7154000	Duct. Iron	SAE 16	SAE 16	U.S.
20TD	7154010	Duct. Iron	SAE 20	SAE 20	U.S.
8BD	7154050	Duct. Iron	1" BSP	1" BSP	U.K.
10BD	7154060	Duct. Iron	1-1/4" BSP	1-1/4" BSP	U.K.

HYDRAFORCE STANDARD VALVE HOUSINGS			
MATERIAL	OPERATING PRESSURE	PORTS	MFG. LOCATION
Aluminum, 6061 T6511, Clear Anodized	210 bar (3000 psi)	SAE	U.S.
Aluminum, 6082 TF, Gold Tint	210 bar (3000 psi)	BSP	U.K.
Ductile Iron	350 bar (5000 psi)	SAE	U.S.
Ductile Iron	350 bar (5000 psi)	BSP	U.K.

Series 42 Valve Housings

3-WAY M3 Ductile Iron

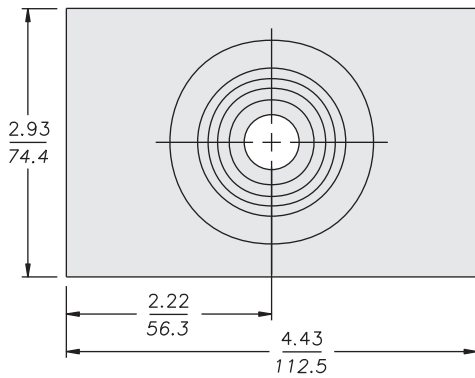


SERIES 42 3-WAY M3 HOUSINGS						
Code	Part No.	Material	Port 1	Port 2	Port 3	Mfg. Loc.
12TD	7154600	Duct. Iron	SAE 12	SAE 12	SAE 12	U.S.
16TD	7154610	Duct. Iron	SAE 16	SAE16	SAE 16	U.S.
20TD	7154620	Duct. Iron	SAE 20	SAE 20	SAE 20	U.S.
6BD	7154640	Duct. Iron	3/4" BSP	3/4" BSP	3/4" BSP	U.K.
8BD	7154650	Duct. Iron	1" BSP	1" BSP	1" BSP	U.K.

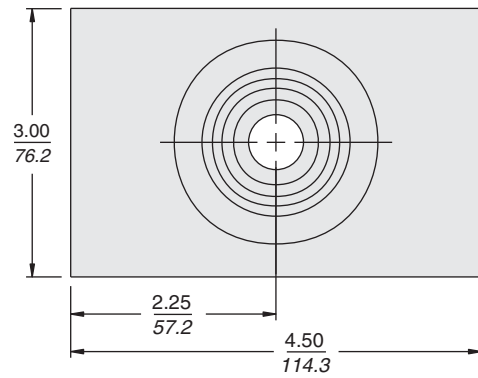
HYDRAFORCE STANDARD VALVE HOUSINGS			
MATERIAL	OPERATING PRESSURE	PORTS	MFG. LOCATION
Aluminum, 6061 T6511, Clear Anodized	210 bar (3000 psi)	SAE	U.S.
Aluminum, 6082 TF, Gold Tint	210 bar (3000 psi)	BSP	U.K.
Ductile Iron	350 bar (5000 psi)	SAE	U.S.
Ductile Iron	350 bar (5000 psi)	BSP	U.K.

Series 42 Valve Housings

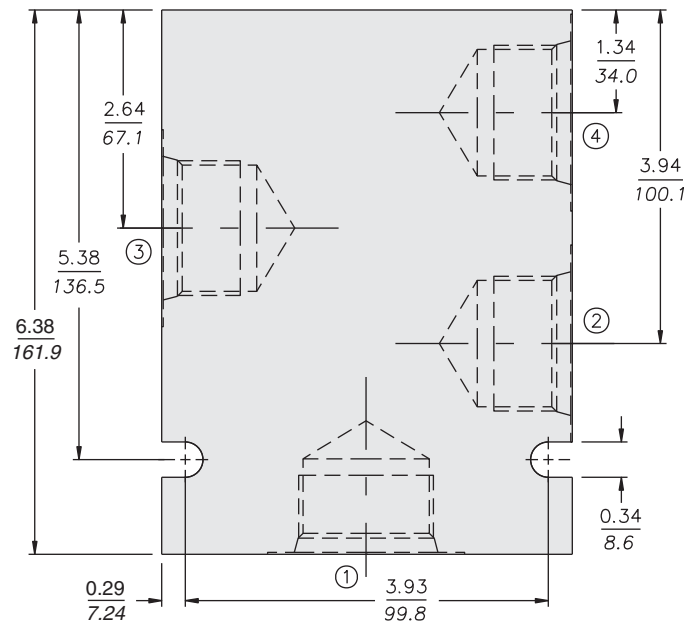
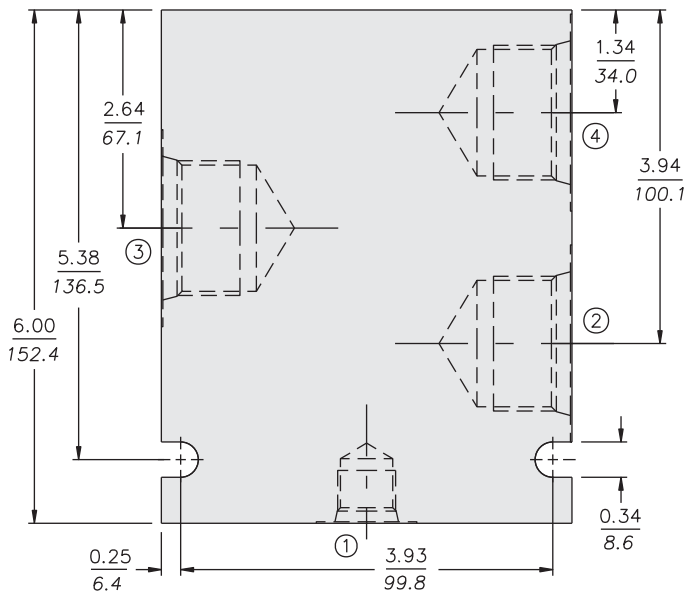
4-WAY M4 PD-Type
Aluminum or Ductile Iron



4-WAY M4
Ductile Iron



INCH
MILLIMETRE



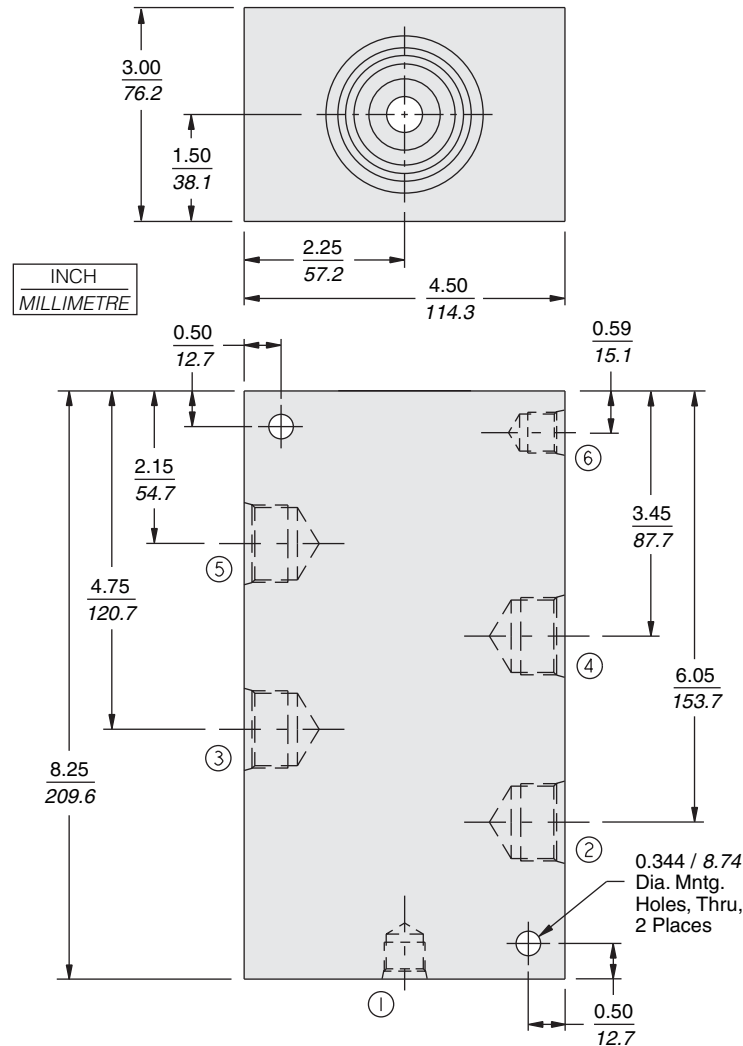
SERIES 42 4-WAY M4 PD-TYPE HOUSINGS							
Code	Part No.	Material	Port 1	Port 2	Port 3	Port 4	Mfg. Loc.
16T	7029540	Alum.	SAE 6	SAE 16	SAE 16	SAE 16	U.S.
20T	7029550	Alum.	SAE 6	SAE 20	SAE 20	SAE 20	U.S.
16TD	7154310	Duct. Iron	SAE 6	SAE 16	SAE 16	SAE 16	U.S.
20TD	7154320	Duct. Iron	SAE 6	SAE 20	SAE 20	SAE 20	U.S.

SERIES 42 4-WAY M4 HOUSINGS							
Code	Part No.	Material	Port 1	Port 2	Port 3	Port 4	Mfg. Loc.
12TD	7154200	Duct. Iron	SAE 12	SAE 12	SAE 12	SAE 12	U.S.
16TD	7154210	Duct. Iron	SAE 16	SAE 16	SAE 16	SAE 16	U.S.
20TD	7154220	Duct. Iron	SAE 20	SAE 20	SAE 20	SAE 20	U.S.
6BD	7154240	Duct. Iron	3/4" BSP	3/4" BSP	3/4" BSP	3/4" BSP	U.K.
8BD	7154250	Duct. Iron	1" BSP	1" BSP	1" BSP	1" BSP	U.K.
10BD	7154260	Duct. Iron	1-1/4" BSP	1-1/4" BSP	1-1/4" BSP	1-1/4" BSP	U.K.

HOUSINGS AND ACCESSORY PRODUCTS

Series 42 Valve Housings

6-WAY PD/PE-Type 42-S6 Ductile Iron



SERIES 42 6-WAY PD/PE-TYPE 42-S6 HOUSINGS									
Code	Part No.	Material	Port 1	Port 2	Port 3	Port 4	Port 5	Port 6	Mfg. Loc.
6BD	7150410	Ductile Iron	1/4 BSP	3/4 BSP	3/4 BSP	3/4 BSP	3/4 BSP	1/4 BSP	U.K.
8BD	7150420	Ductile Iron	1/4 BSP	1 BSP	1 BSP	1 BSP	1 BSP	1/4 BSP	U.K.
10BD	7150430	Ductile Iron	1/4 BSP	1-1/4 BSP	1-1/4 BSP	1-1/4 BSP	1-1/4 BSP	1/4 BSP	U.K.
12TD	7150450	Ductile Iron	SAE 6	SAE 12	SAE 12	SAE 12	SAE 12	SAE 6	U.S.
16TD	7150460	Ductile Iron	SAE 6	SAE 16	SAE 16	SAE 16	SAE 16	SAE 6	U.S.
20TD	7150470	Ductile Iron	SAE 6	SAE 20	SAE 20	SAE 20	SAE 20	SAE 6	U.S.

HYDRAFORCE STANDARD VALVE HOUSINGS			
MATERIAL	OPERATING PRESSURE	PORTS	MFG. LOCATION
Aluminum, 6061 T6511, Clear Anodized	210 bar (3000 psi)	SAE	U.S.
Aluminum, 6082 TF, Gold Tint	210 bar (3000 psi)	BSP	U.K.
Ductile Iron	350 bar (5000 psi)	SAE	U.S.
Ductile Iron	350 bar (5000 psi)	BSP	U.K.