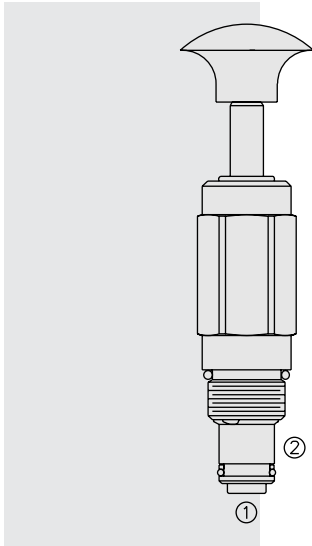
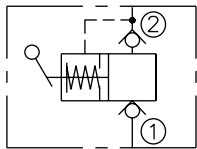


## HP10-20 Hand Pump



### SYMBOLS

#### USASI/ISO:



### DESCRIPTION

A screw-in, cartridge-style, push and release type hand pump with two built-in checks.

### OPERATION

The **HP10-20** will provide a specific displacement of oil to port ①.

**Note:** As with any mechanical hydraulic actuator (piston rods, rotating pump shaft, etc.) the shaft will become coated with a minute amount of oil from the internal high pressure system. The rod protruding from the hand pump may feel damp with oil after use. This is desirable because the oil coating serves to lubricate the shaft seal, reducing friction and assuring extended seal life.

### FEATURES

- Hardened parts for long life.
- Heavy duty construction.
- Industry common cavity.

### RATINGS

**Operating Pressure:** Port ① to 207 bar/3000 psi; Port ② to 69 bar/1000 psi

**Displacement:** 1.36 cc/0.083 cu. in. per stroke

**Force Required:** 30 lbs. to attain 17 bar/250 psi

**Internal Leakage:** From port ① to port ②: 0.15 cc/3 drops per minute maximum at 207 bar/3000 psi

**Temperature:** -40 to 120°

**Filtration:** See page 9.010.1

**Fluids:** Mineral-based or synthetics with lubricating properties at viscosities of 7.4 to 420 cSt (50 to 2000 sus)

**Installation:** No restrictions; See page 9.020.1

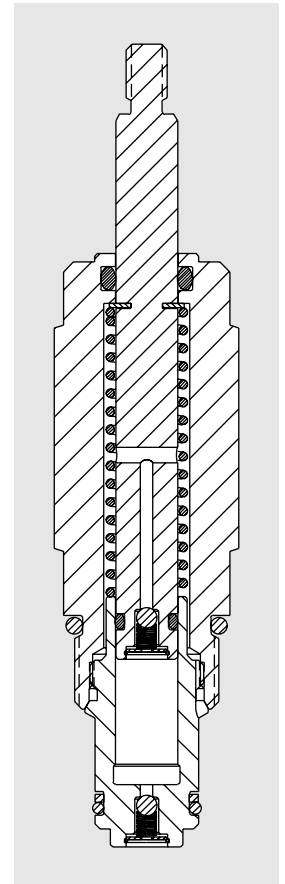
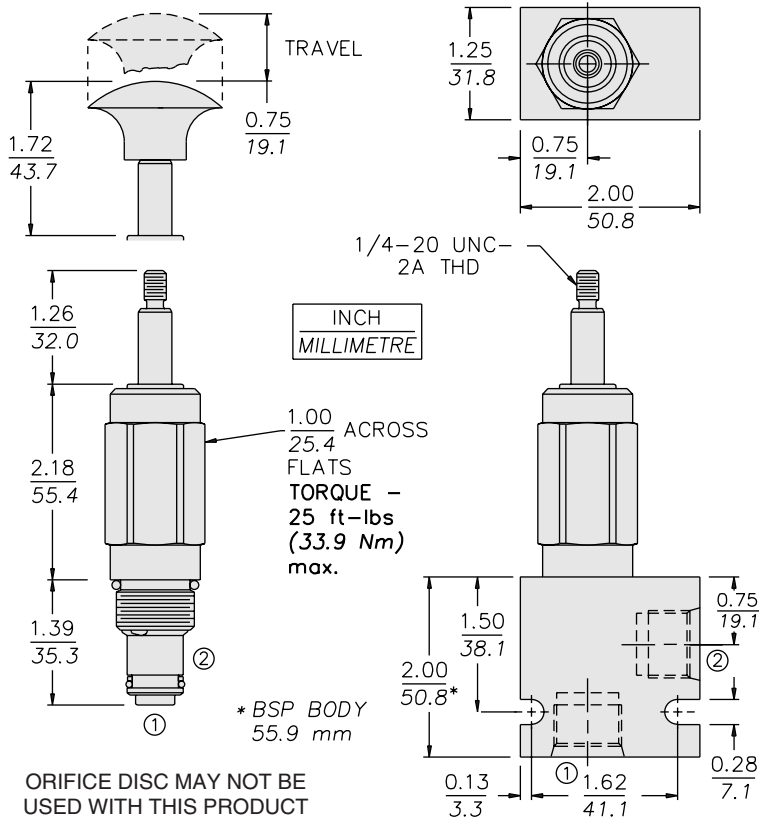
**Cavity:** VC10-2, Variation "A"; See page 9.110.1

**Cavity Tool:** CT10-2XX; See page 8.600.1

**Seal Kit:** SK10-2x-T; See page 8.650.1

**HP10-20**

**DIMENSIONS**

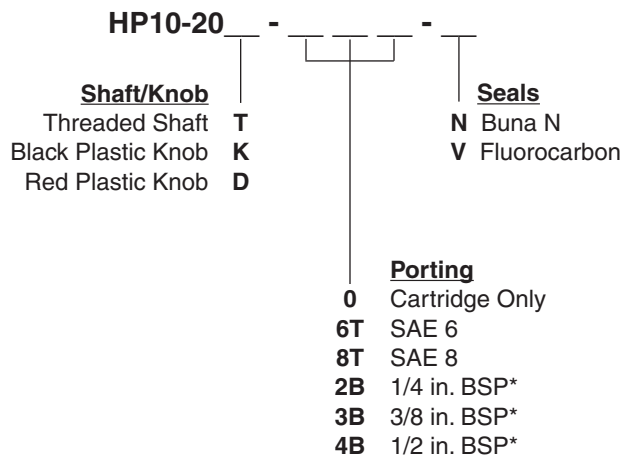


**MATERIALS**

**Cartridge:** Weight: 0.27 kg. (0.60 lbs.)  
 Steel with hardened work surfaces.  
 Zinc-plated exposed surfaces.  
 Buna N O-rings and polyester elastomer back-ups standard.  
 Anodized aluminum knobs.

**Standard Ported Body:** Weight: 0.16 kg. (0.35 lbs.) Anodized high-strength 6061 T6 aluminum alloy, rated to 207 bar (3000 psi). Ductile iron bodies available; dimensions may differ. See page 8.010.1

**TO ORDER**



\*BSP Body; U.K. Mfr. Only