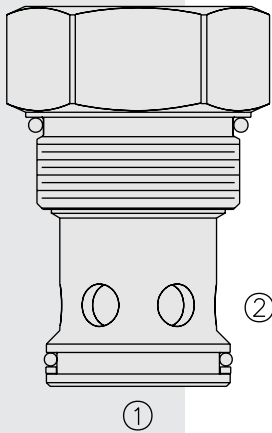


## CV42-M20 Check Valve



### DESCRIPTION

A screw-in, cartridge-style, hydraulic check valve for use as a blocking or load-holding device.

### OPERATION

The **CV42-M20** allows flow from ① to ②, while blocking oil flow in the opposite direction.

The cartridge has a fully guided poppet which is spring-biased to closed until sufficient pressure is applied at ① to open to ②.

### FEATURES

- Hardened seat for long life and low leakage.
- Optional bias springs for back-pressure application flexibility.
- Conforms to ISO 7789 cavity.

### RATINGS

**Operating Pressure:** 240 bar (3500 psi)

**Proof Pressure:** 350 bar (5075 psi)

**Flow:** See Performance Chart

**Internal Leakage:** 0.25 cc/minute (5 drops/minute) max. at 240 bar (3500 psi)

**Crack Pressure Defined:** Gauge pressure evident at ① at 0.95 lpm (0.25 gpm) attained at ②

**Standard Bias Springs at Crack:** 0.35 bar (5 psi); 1.7 bar (25 psi); 4.1 bar (60 psi)

**Temperature:** -40 to 120°C

**Filtration:** See page 9.010.1

**Fluids:** Mineral-based or synthetics with lubricating properties at viscosities of 7.4 to 420 cSt (50 to 2000 sus); See Temperature and Oil Viscosity, page 9.060.1

**Installation:** No restrictions; See page 9.020.1

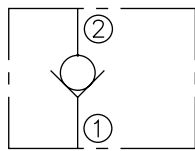
**Cavity:** VC42-M2 (ISO M42-2.0); See page 9.142.1

**Cavity Tool:** CT42-M2XX; See page 8.600.1

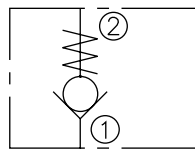
**Seal Kit:** SK42-M2X-T; See page 8.650.1

### SYMBOLS

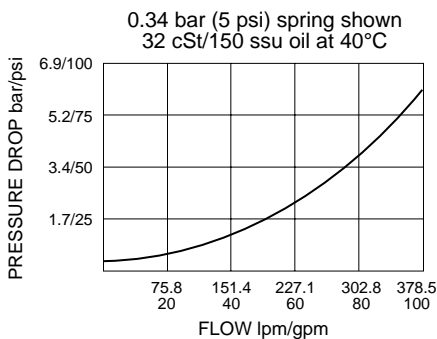
#### USASI:



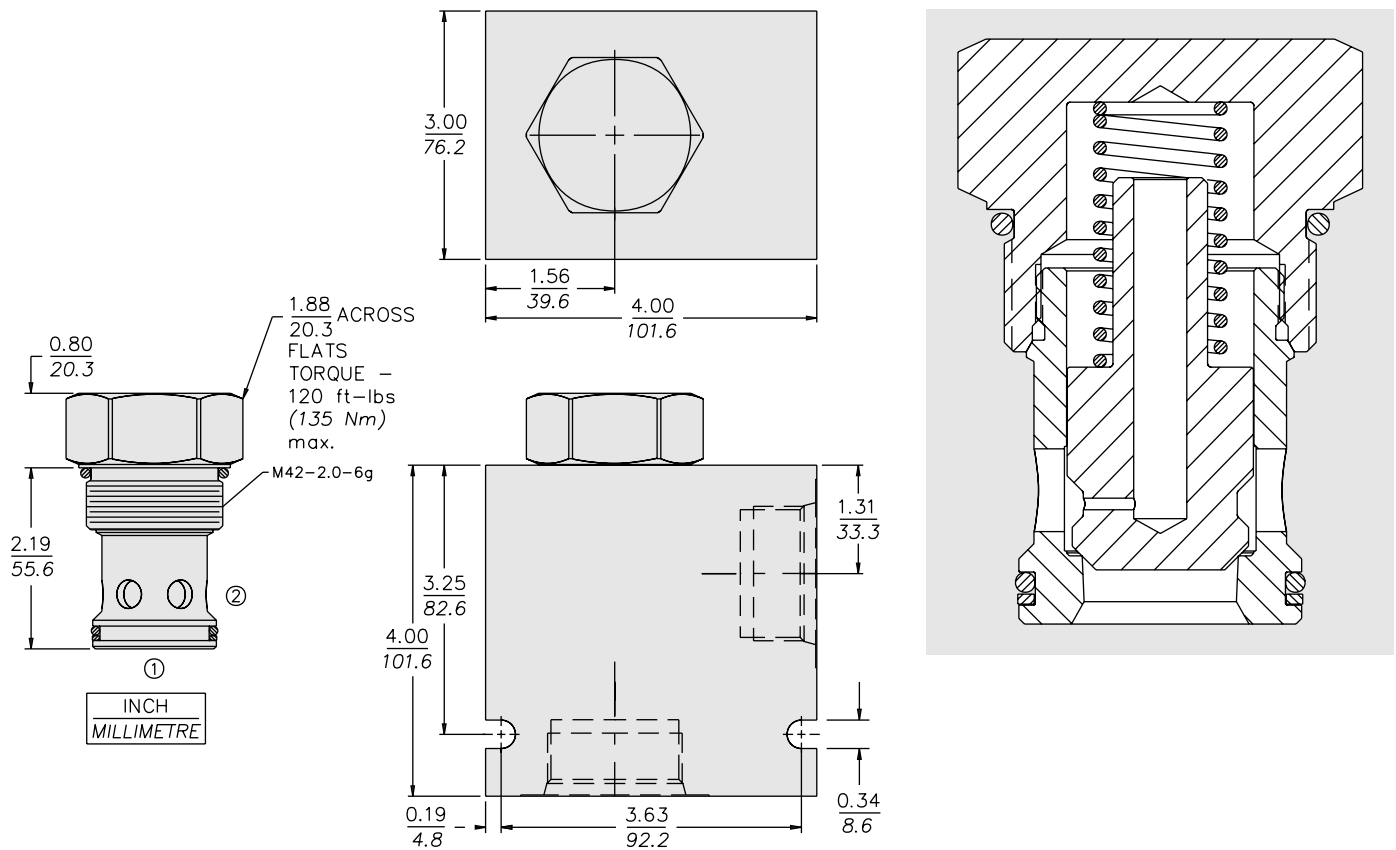
#### ISO:



### PERFORMANCE (Cartridge Only)



**DIMENSIONS**



**MATERIALS**

**Cartridge:** Weight: 0.43 kg. (0.95 lbs.)  
Steel with hardened work surfaces.  
Zinc-plated exposed surfaces.  
Buna N O-rings and polyester elastomer back-ups standard.

**Standard Ported Body:** Weight: 1.63 kg. (3.60 lbs.)  
Anodized high-strength 6061 T6 aluminum alloy, rated to 207 bar (3000 psi). Ductile iron bodies available; dimensions may differ. See page 8.016.1

**TO ORDER**

