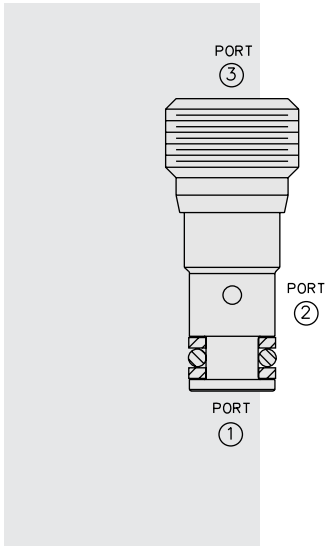


LS04-B30 Load Shuttle, Ball-Type, "Down-Hole" Mount



DESCRIPTION

A load-shuttling, screw-in, cartridge-style hydraulic check valve, for use in blocking circuits where a priority of flow/direction is given to a higher pressure circuit over a lower one.

OPERATION

The **LS04-B30** will allow flow from the higher pressure of ① or ③ port to the ② port. The valve is commonly used to direct oil from the pressure side of a bidirectional hydraulic motor to a pressure-released hydraulic brake. It can also be used as a load-sense signaling valve.

FEATURES

- Rapid response to load direction changes.
- Miniature size.

RATINGS

Operating Pressure: 240 bar (3500 psi)

Flow: See Performance Chart

Internal Leakage: 0.25 cc/minute (5 drops/minute) max. at 207 bar(3000 psi)

Temperature: -40 to 120°C with standard Buna seals

Filtration: See page 9.010.1

Fluids: Mineral-based or synthetics with lubricating properties at viscosities of 7.4 to 420 cSt (50 to 2000 sus); See Temperature and Oil Viscosity, page 9.060.1

Installation: No restrictions; See page 9.020.1

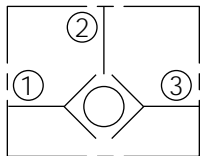
Cavity: VC04-B3; See page 9.104.1

Cavity Tool: CT04-B3XX; See page 8.600.1

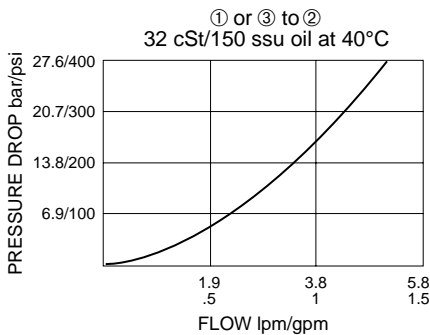
Seal Kit: SK04-B3X-M; See page 8.650.1

SYMBOLS

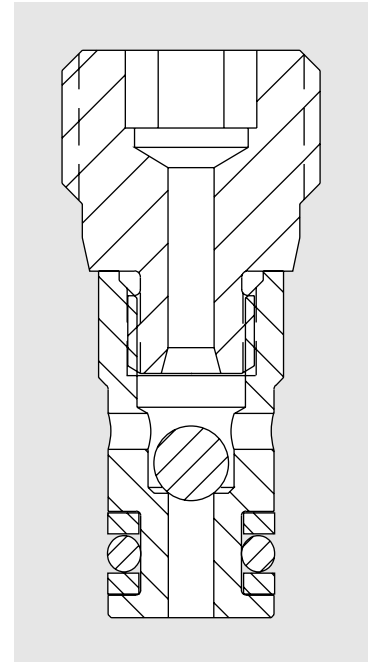
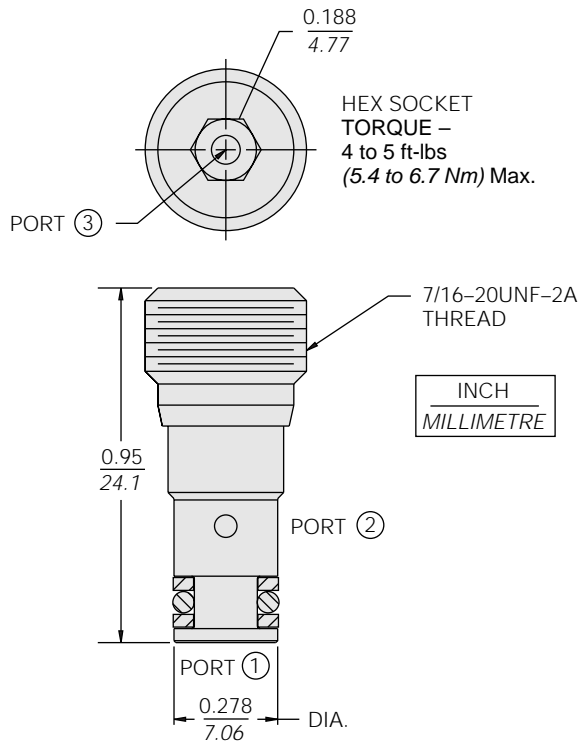
USASI/ISO:



PERFORMANCE (Cartridge Only)



DIMENSIONS



MATERIALS

Cartridge: Weight: 0.08 kg. (0.17 lbs.)
Steel with Zinc-plated exposed surfaces; Buna N O-rings and back-ups standard.

TO ORDER

