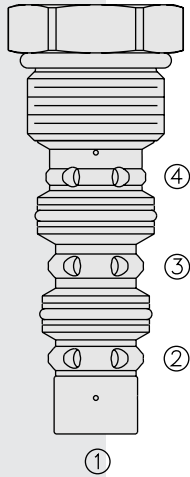


HS50-43 Low Side (Hot Oil) Shuttle,



DESCRIPTION

A spring-centered, spool-type, closed-in-neutral, 2-position, 3-way hot oil shuttle valve, which may be used on hydrostatic transmissions to direct charge pump oil to a heat exchanger or to tank.

OPERATION

With internal piloting at port ①, ② or ④, the **HS50-43** will direct oil from the port opposite of the piloted port to port ③, thus removing oil from the low-pressure side for cooling or filtration purposes. The valve has a spring-centered spool, and is closed in neutral position.

FEATURES

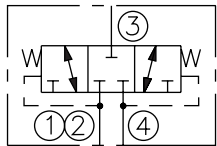
- Hardened spool and cage for long life.
- Industry common cavity.

RATINGS

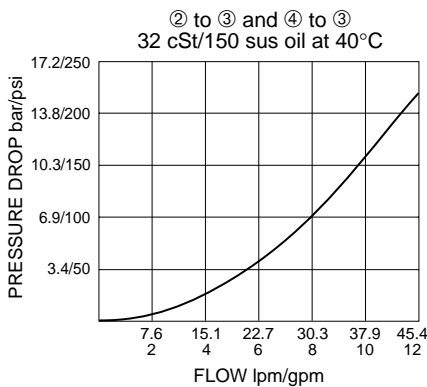
- Operating Pressure:** 345 bar (5000 psi) when used in steel body
- Flow Rate:** See Performance Chart
- Bias Spring Value:** 4.1 bar (60 psi)
- Internal Leakage:** 541 ml/minute (33 cu. in./minute) max. at 345 bar (5000 psi)
- Temperature:** -40 to 120°C with standard polyurethane seals
- Filtration:** See page 9.010.1
- Fluids:** Mineral-based or synthetics with lubricating properties at viscosities of 7.4 to 420 cSt (50 to 2000 sus); See Temperature and Oil Viscosity, page 9.060.1
- Installation:** No restrictions; See page 9.020.1
- Cavity:** VC10-4; See page 9.110.1
- Cavity Tool:** CT10-4XX; See page 8.600.1
- Seal Kit:** SK10-4X-MMM, See page 8.650.1

SYMBOLS

USASI/ISO:



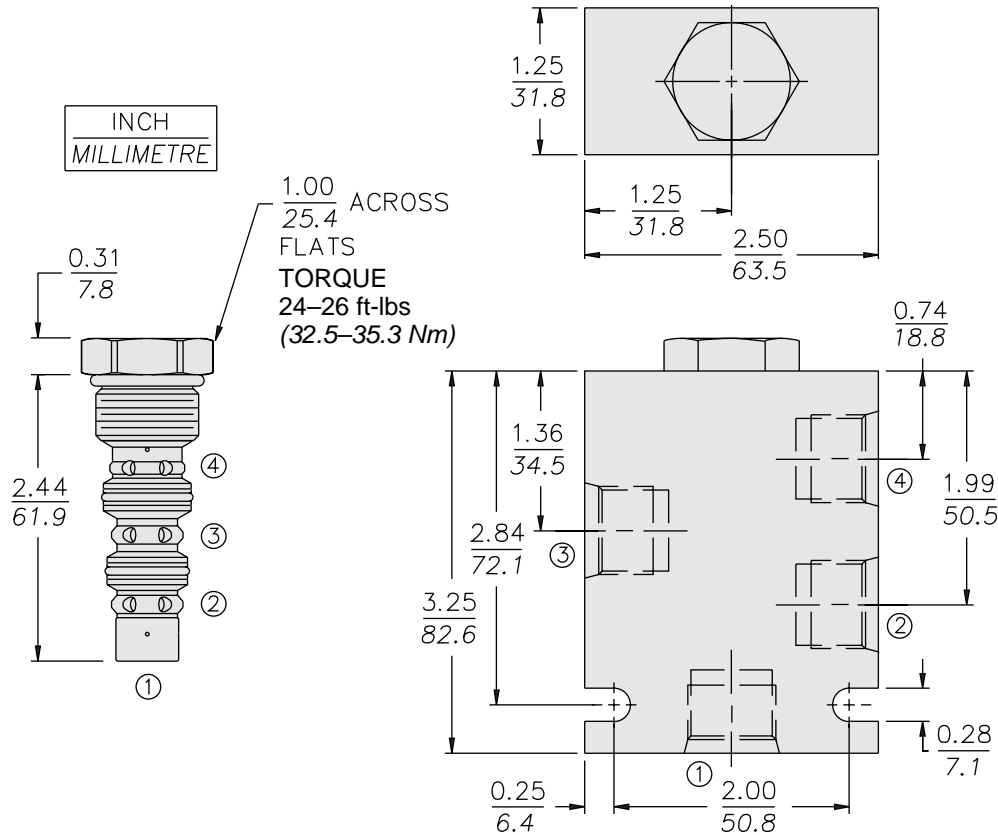
PERFORMANCE (Cartridge Only)



Spring Centered

HS50-43

DIMENSIONS



MATERIALS

Cartridge: Weight: 0.12 kg. (0.27 lbs.)
Steel with hardened work surfaces.
Zinc-plated exposed surfaces.
Polyurethane seals and polyester elastomer back-ups standard.

Ported Body: Weight: 0.68 kg. (1.51 lbs.); Ductile Iron (code "D") standard, consult factory for weight, dimensions may differ. Rated to 345 bar (5000 psi). See page 8.010.1.

TO ORDER

HS50-43 -		- P
		Seals
		P Polyurethane
	Porting	
Cartridge Only	0	
SAE 6 (Ductile)	6TD	
SAE 6 (Steel)	6TS	