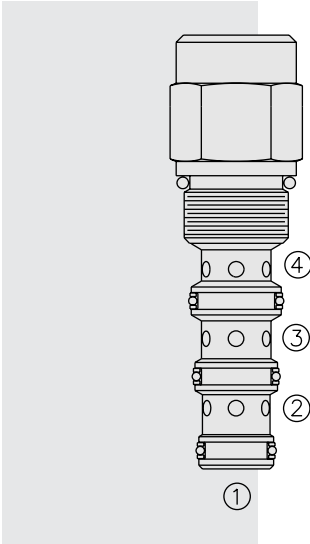


## PD10-44 Piloted 2-Way Spool



### DESCRIPTION

A screw-in, cartridge-style, pilot-operated, spool-type, hydraulic directional valve for three-way circuits requiring remote pilot actuation.

### OPERATION

In neutral (unpiloted), the **PD10-44** blocks flow from ③ to ② bidirectionally. The spring chamber is directed to port ④, which is internally O-ring sealed from the cartridge flow paths.

On remote pilot signal at ①, the valve shifts to open from ② to ③, bidirectionally.

Any pressure on port ④ is added to the spring value.

### FEATURES

- Hardened spool and cage for long life.
- Industry common cavity.

### RATINGS

**Operating Pressure:** 240 bar (3500 psi)

**Flow:** See Performance Chart

**Internal Leakage:** 82 cc/minute (5 cu. in./minute) max. at 207 bar (3000 psi)

**Pilot Pressure Required:**

To Spool Crossover: 7.6 bar (110 psi) with a 110 psi bias spring

To Full Spool Shift: 8.6 bar (125 psi) with a 110 psi bias spring

**Oil Volume Required to Full Shift:** 0.65 cc (0.04 cu. in.)

**Temperature:** -40 to 120°C with standard Buna seals

**Filtration:** See page 9.010.1

**Fluids:** Mineral-based or synthetics with lubricating properties at viscosities of 7.4 to 420 cSt (50 to 2000 sus); See Temperature and Oil Viscosity, page 9.060.1

**Installation:** No restrictions; See page 9.020.1

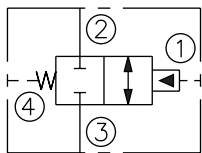
**Cavity:** VC10-4; See page 9.110.1

**Cavity Tool:** CT10-4XX; See page 8.600.1

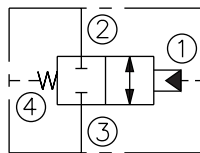
**Seal Kit:** SK10-4X-MMM; See page 8.650.1

### SYMBOLS

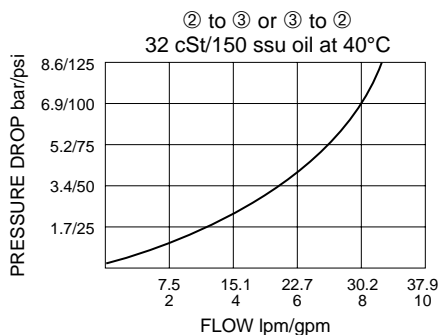
#### USASI



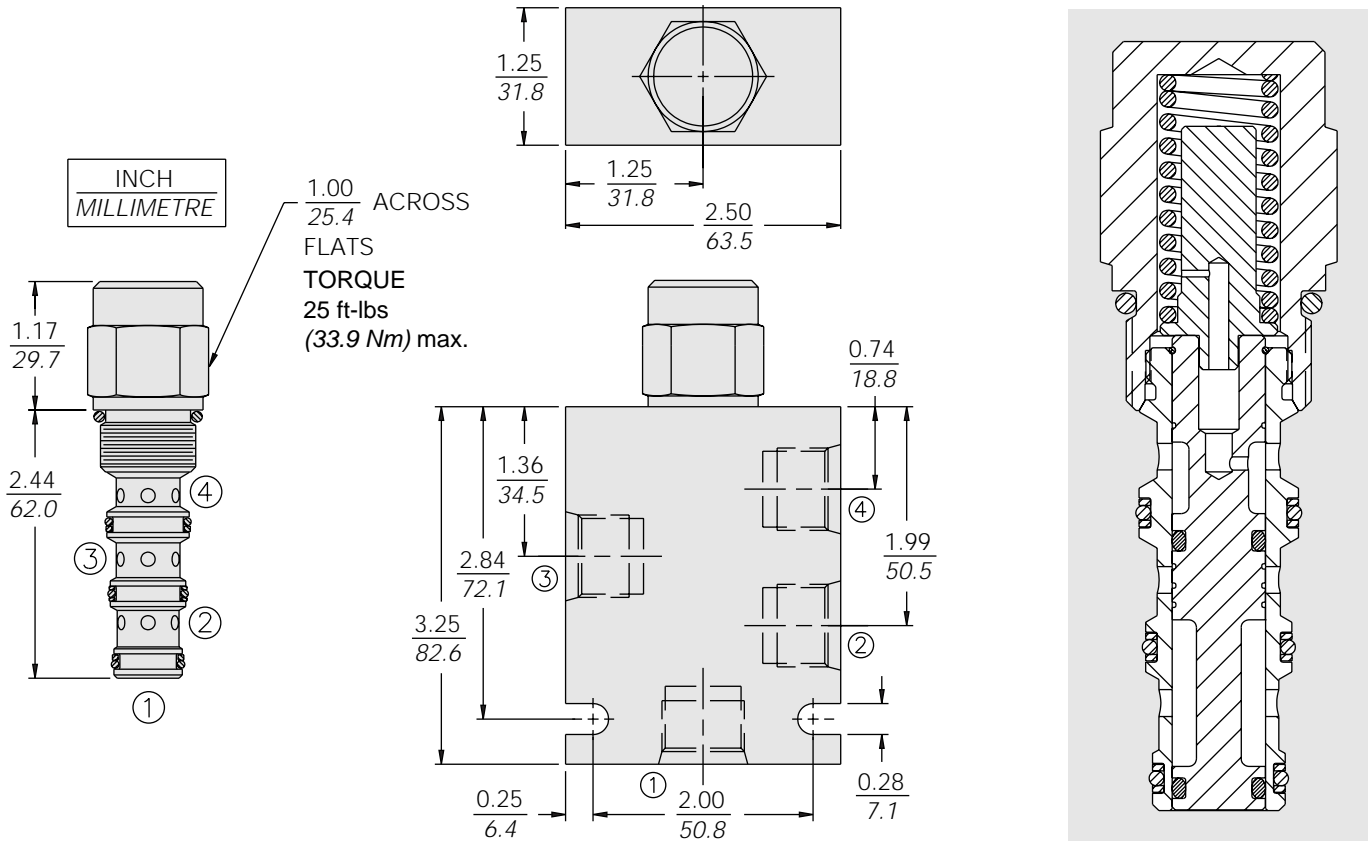
#### ISO:



### PERFORMANCE (Cartridge Only)



**DIMENSIONS**



**MATERIALS**

**Cartridge:** Weight: 0.16 kg. (0.35 lbs.)  
Steel with hardened work surfaces.  
Zinc-plated exposed surfaces.  
Buna N O-rings and polyester  
elastomer back-ups standard.

**Standard Ported Body:** Weight:  
0.34 kg. (0.75 lbs.); Anodized high-  
strength 6061 T6 aluminum alloy,  
rated to 207 bar (3000 psi). Ductile  
iron bodies available; dimensions  
may differ. See page 8.010.1

**TO ORDER**

PD10-44 - - -

- Porting**
- Cartridge Only **0**
  - SAE 6 **6T**
  - SAE 8 **8T**
  - 1/4 in. BSP\* **2B**
  - 3/8 in. BSP\* **3B**

\*BSP Body  
U.K. Mfr. Only

**Bias Spring†**

- 60** 4.1 bar (60 psi)
- 110** 7.6 bar (110 psi)
- 170** 11.7 bar (170 psi)

Optional bias springs considered  
on OEM request

†Note: 110 psi bias spring is the  
minimum required for use with  
sealed spool.

**Seals**

- NS** Buna N with Sealed Spool
- VS** Fluorocarbon with Sealed Spool