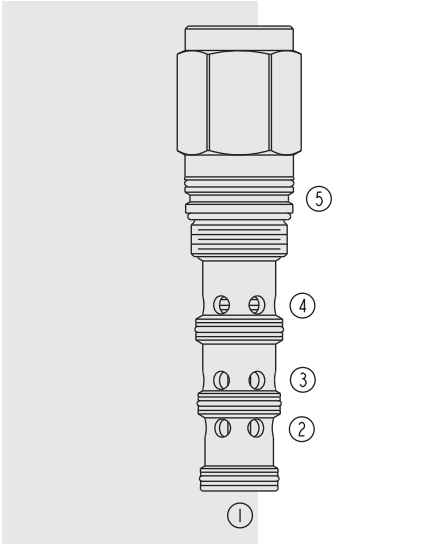


PD42-S50 Piloted 3-Way Spool



DESCRIPTION

A screw-in, cartridge-style, pilot-operated, spool-type, hydraulic directional valve for three-way circuits requiring remote pilot actuation.

OPERATION

In neutral (unpiloted), the **PD42-S50** allows flow from ③ to ② bidirectionally, while flow is blocked at ④.

On remote pilot signal at ①, the valve shifts to open ③ to ④ while blocking ②.

The spring chamber is vented to the tank through port ⑤, which is common to the spring chamber. Pressure on port ⑤ will directly (1:1) affect the pilot pressure required and must be added to the bias spring value.

FEATURES

- Hardened spool and cage for long life.
- Optional open transition (ports ②, ③ and ④).

RATINGS

Maximum Operating Pressure: 345 bar (5000 psi)

Flow: See Performance Chart

Internal Leakage: 245 ml/minute (15 cu. in./minute) at 345 bar (5000 psi).

Temperature: -40 to 120°C with standard Buna seals

Filtration: See page 9.010.1

Fluids: Mineral-based or synthetics with lubricating properties at viscosities of 7.4 to 420 cSt (50 to 2000 sus); See Temperature and Oil Viscosity, page 9.060.1

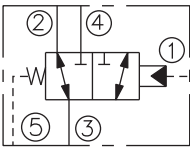
Installation: No restrictions; See page 9.020.1

Cavity: VC42-S5; See page 9.142.1

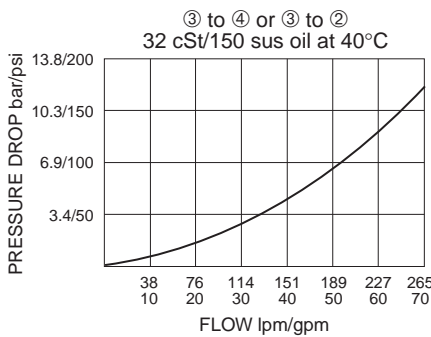
Cavity Tool: CT42-S5; See page 8.600.1

Seal Kit: SK42-S5X-BMMM; See page 8.650.1

SYMBOL



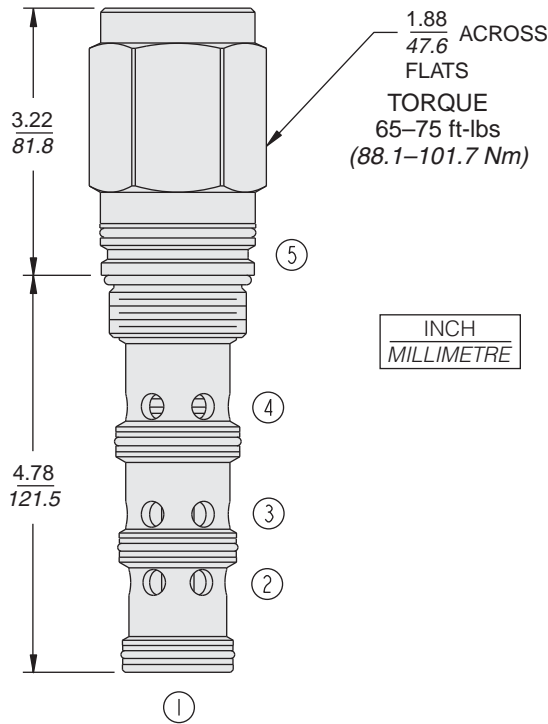
PERFORMANCE (Cartridge Only)



with Vented Spring Chamber

PD42-S50

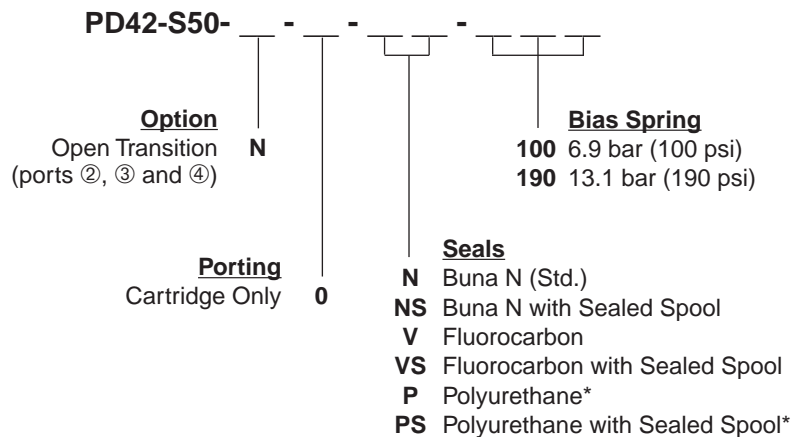
DIMENSIONS



MATERIALS

Cartridge: Weight: 1.60 kg. (3.5 lbs.)
 Steel with hardened work surfaces.
 Zinc-plated exposed surfaces.
 Buna N O-rings and polyester elastomer back-ups standard.

TO ORDER



* Required for pressure over 241 bar (3500 psi)