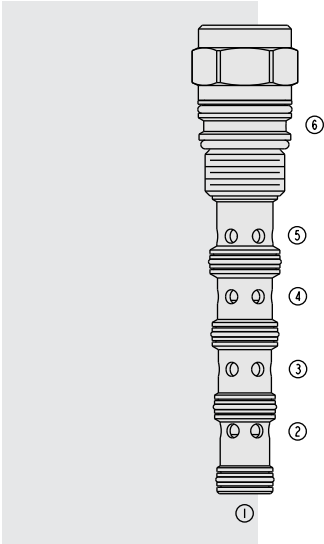


PD12-S61N Piloted, 2-Position, 4-Way Spool



DESCRIPTION

A screw-in, cartridge-style, pilot-operated, 2-position, 4-way, spool-type, hydraulic directional valve.

OPERATION

In the neutral position, the **PD12-S61N** allows flow between ports ② and ③ and between ports ④ and ⑤. On remote pilot signal at ①, the valve shifts to allow flow between ports ③ and ④, while blocking ports ② and ⑤.

The spring chamber is vented to the tank through port ⑥. The vented spring chamber allows the valve to be fully pressurized at ports ①, ②, ③, ④ and ⑤ without affecting required pilot pressure. Pressure at ⑥ will affect required pilot pressure.

FEATURES

- Hardened spool and cage for long life.
- 110 and 170 psi bias springs available.

RATINGS

Maximum Operating Pressure: 240 bar (3500 psi)

Flow: 0 to 56 lpm (0 to 15 gpm); See Performance Chart

Internal Leakage: Maximum leakage at 240 bar (3500 psi):
197 ml/minute (12 cu. in./minute).

Temperature: -40 to 120°C (-40 to 248°F)

Filtration: See page 9.010.1

Fluids: Mineral-based or synthetics with lubricating properties at viscosities of
7.4 to 420 cSt (50 to 2000 sus); See Temperature and Oil Viscosity, page 9.060.1

Installation: No restrictions; See page 9.020.1

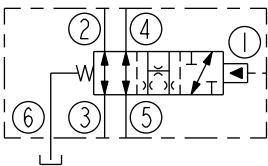
Cavity: VC12-S6; See page 9.112.1

Cavity Tool: CT12-S6XX; See page 8.600.1

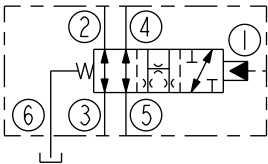
Seal Kit: SK12-S6X-BMMMM; See page 8.650.1

SYMBOLS

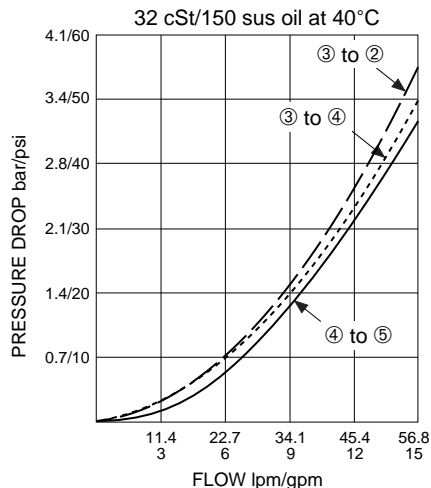
USASI:



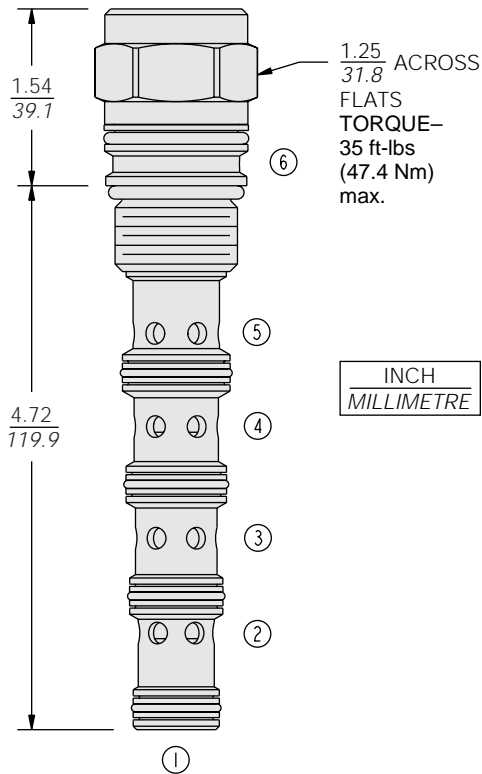
ISO:



PERFORMANCE (Cartridge Only)



DIMENSIONS



MATERIALS

Cartridge: Weight: 0.21 kg. (0.46 lbs.)
Steel with hardened work surfaces.
Zinc-plated exposed surfaces.
Buna N O-rings and polyester elastomer back-ups standard.

Ported Body: Test housing available;
see page 8.012.1.

TO ORDER



- Seals**
- N** Buna N (Std.)
 - NS** Buna N with Sealed Spool between ① and ②
 - V** Fluorocarbon
 - VS** Fluorocarbon with Sealed Spool between ① and ②