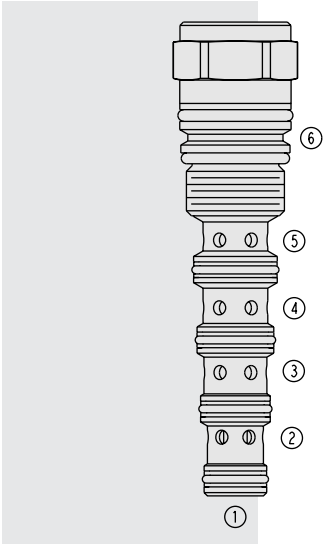


PD10-S62 Piloted Directional Valve



DESCRIPTION

A screw-in, cartridge-style, pilot-operated, spool-type, hydraulic cartridge valve.

OPERATION

In the neutral position, the PD10-S62 allows flow between ports 2 and 3 and between ports 4 and 5 bidirectionally. When the remote pilot signal at 1 exceeds the force of the bias spring, the spool shifts to block flow at all ports.

The spring chamber is vented to the tank through port 6. The vented spring chamber allows the valve to be fully pressurized at ports 1, 2, 3, 4 and 5 without affecting required pilot pressure. Pressure at 6 will affect required pilot pressure.

FEATURES

- Hardened spool and cage for long life.
- Optional sealed spool between ports 1 and 2.

RATINGS

Maximum Operating Pressure: 250 bar (3625 psi) with standard Buna N seals.

Maximum Total Input Flow: 53 lpm (14 gpm) in any combination of flows between ports 2 and 3, and ports 4 and 5 (e.g., 2 & 12 gpm, 7 & 7 gpm, or 10 & 4 gpm).

Internal Leakage: Maximum leakage at 250 bar (3625 psi): 131 ml/minute (8 cu. in./minute).

Temperature: -40 to 120°C (-40 to 248°F)

Filtration: See page 9.010.1

Fluids: Mineral-based or synthetics with lubricating properties at viscosities of 7.4 to 420 cSt (50 to 2000 sus); See Temperature and Oil Viscosity, page 9.060.1

Installation: No restrictions; See page 9.020.1

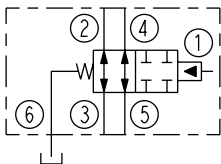
Cavity: VC10-S6; See page 9.110.1

Cavity Tool: CT10-S6X; See page 8.600.1

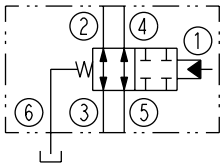
Seal Kit: SK10-S6X-BMMMM; See page 8.650.1

SYMBOLS

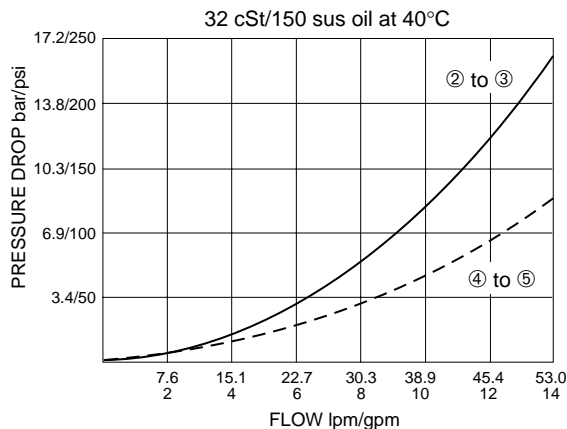
USASI:



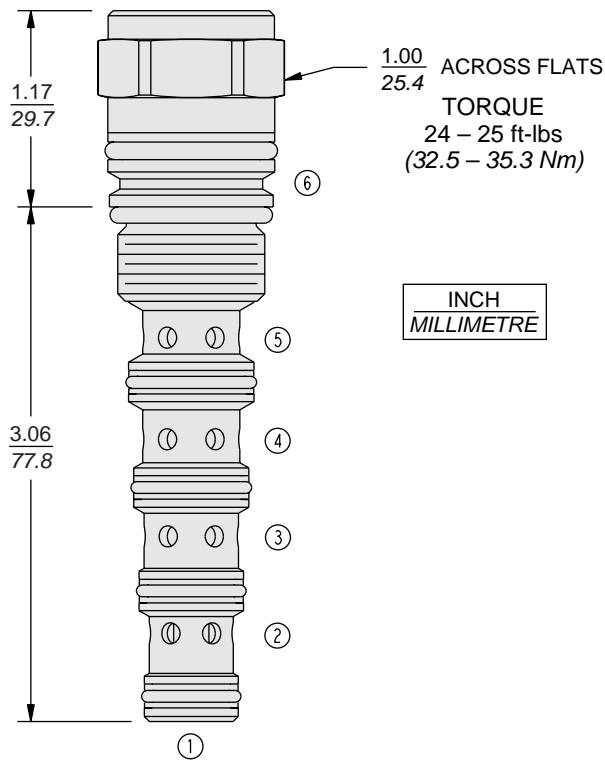
ISO:



PERFORMANCE (Cartridge Only)



DIMENSIONS



MATERIALS

Cartridge: Weight: 0.20 kg. (0.45 lbs.)
Steel with hardened work surfaces.
Zinc-plated exposed surfaces.
Buna N O-rings and polyester elastomer back-ups standard.

TO ORDER

