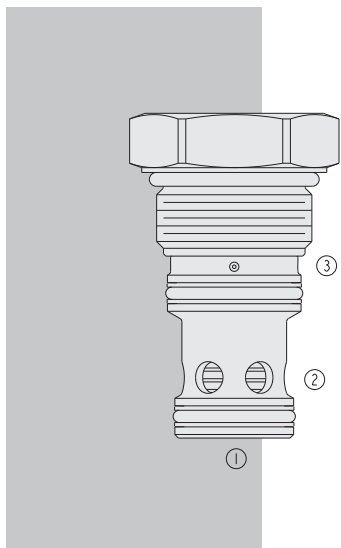
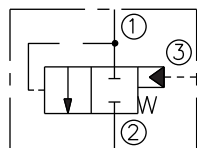


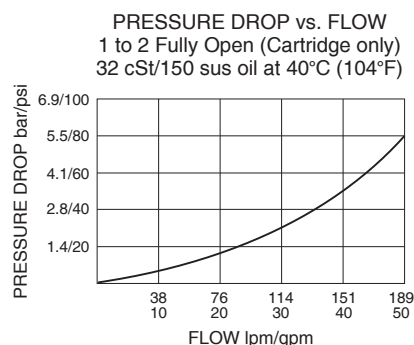
# HEP16-S35 HyPerformance™ Piloted Spool-Type



## ISO SYMBOL



## PERFORMANCE (Cartridge Only)



## DESCRIPTION

A high-pressure spool-type, screw-in, cartridge-style, hydraulic directional element, with multi-function potential when used with other directional, pressure, or flow control devices.

## OPERATION

The **HEP16-S35** is a spring-biased blocking valve which will shift to allow full flow from 1 to 2 only when pressure at 1 exceeds the cumulative pressure of 3, plus the bias spring pressure value.

HEP16-S35 is a pilot-to-close directional valve.

With no pressure at 3, flow will be allowed from 1 to 2 once the bias spring force is overcome with pressure at 1.

## FEATURES

- Multiple function/application potential.
- Low pressure drop.
- Range of bias spring values available.
- All HyPerformance products are tested to the rigorous standards of the NFPA specification T2.6.1.
- All HyPerformance valves are tested at a verification level of 90% and an assurance of 99%.

## RATINGS

**Operating Pressure:** 350 bar (5075 psi); 10% cycle life: 420 bar (6090 psi)

Note: All HyPerformance products are tested for 900K cycles at 350 bar and 100K at 420 bar.

**Proof Pressure:** 690 bar (10000 psi)

**Burst Pressure:** 1380 bar (20000 psi)

**Flow Rating:** 190 lpm (50 gpm)

**Internal Leakage:** 164 ml/minute (10 cu. in./minute) max. at 350 bar (5075 psi)

**Operating Temperature:** -54 to 107°C (-65 to 225°F) with Urethane seals

**Filtration:** See page 9.010.1

**Fluids:** Mineral-based or synthetics with lubricating properties at viscosities of 7.4 to 420 cSt (50 to 2000 sus); See Temperature and Oil Viscosity, page 9.060.1

**Installation:** No restrictions; See page 9.020.1

**Cavity:** HVC16-S3; See page 9.116.1

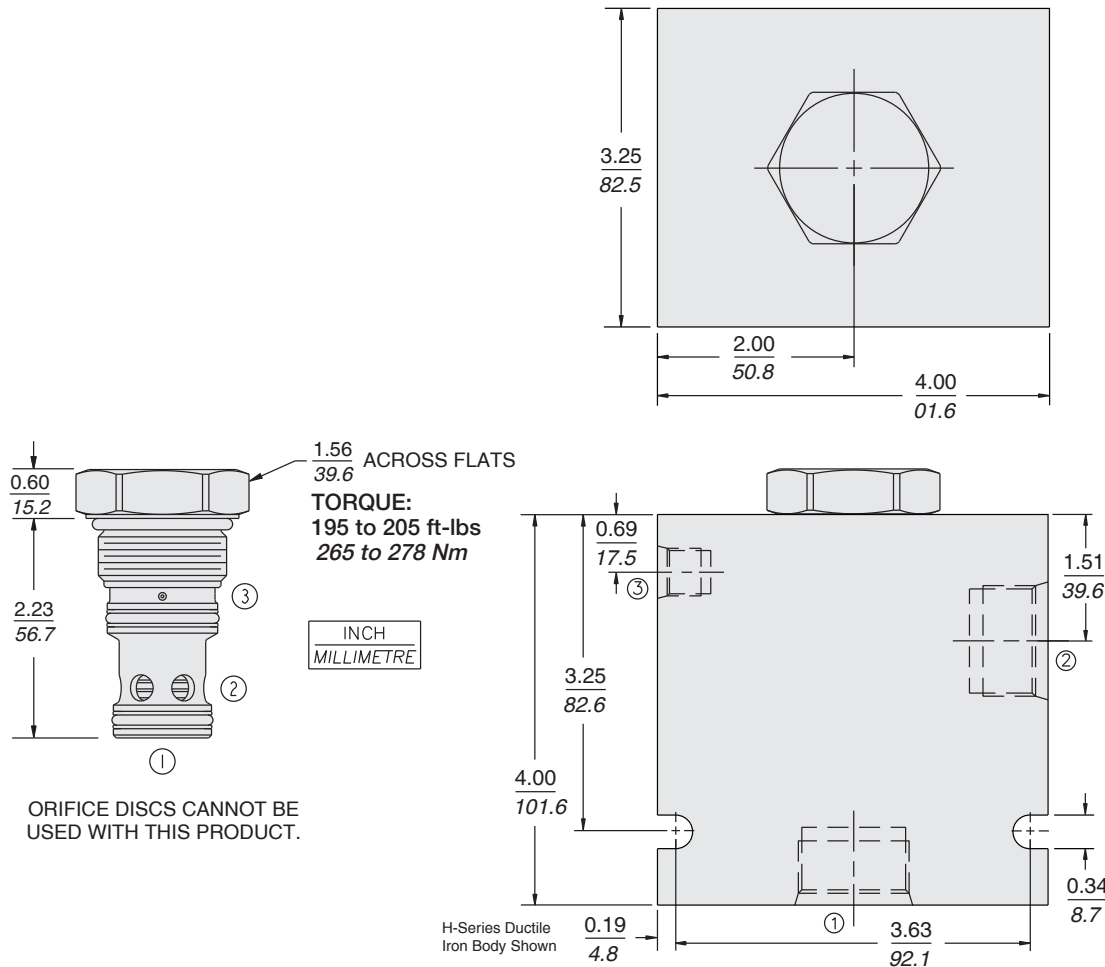
**Cavity Tool:** HCT16-S3XX; See page 8.600.1

**Seal Kit:** SK16-S3U-00; See page 8.650.1

# Logic Element

# HEP16-S35

## DIMENSIONS



## MATERIALS

**Cartridge:** Weight: 0.30 kg. (0.67 lbs.)  
Steel with hardened work surfaces.  
Zinc-nickel plated exposed surfaces.  
PPDI Urethane seals with no backup rings standard.

**Ported Body:** Weight: 5.31 kg. (11.77 lbs.); H-series ductile iron standard. Rated to 345 bar (5000 psi). See page 8.016.1.

## TO ORDER

**HEP16-S35 -**

<b>Porting</b>	<b>Bias Spring Value</b>
Cartridge Only <b>0</b>	<b>10</b> 0.7 bar (10 psi)
SAE 16 <b>16HT</b>	<b>20</b> 1.4 bar (20 psi)
1 in. BSP* <b>8HB</b>	<b>40</b> 2.8 bar (40 psi)
*BSP Body; U.K. Mfr. Only	<b>70</b> 4.8 bar (70 psi)

### Seals

**U** PPDI Urethane — Recommended for pressures above 241 bar (3500 psi)  
Consult factory for additional seal options.