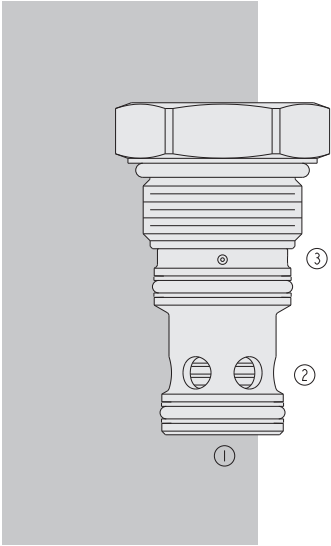


HEV16-S34 HyPerformance™ Vented Spool-Type



DESCRIPTION

A high-pressure spool-type, screw-in, cartridge-style, hydraulic directional element, with multi-function potential when used with other directional, pressure, or flow control devices.

OPERATION

The **HEV16-S34** is a spring-biased blocking valve which will shift to allow full flow from 1 to 2 only when 3 is vented to create a pressure drop across the internal orifice which exceeds the pressure of the selected bias spring.

HEV16-S34 is a vent-to-open directional valve.

FEATURES

- Multiple function/application potential.
- Smooth shift transition.
- Low pressure drop.
- All HyPerformance products are tested to the rigorous standards of the NFPA specification T2.6.1.
- All HyPerformance valves are tested at a verification level of 90% and an assurance of 99%.

RATINGS

Operating Pressure: 350 bar (5075 psi); 10% cycle life: 420 bar (6090 psi)
 Note: All HyPerformance products are tested for 900K cycles at 350 bar and 100K at 420 bar.

Proof Pressure: 690 bar (10000 psi)

Burst Pressure: 1380 bar (20000 psi)

Flow Rating: 190 lpm (50 gpm)

Internal Leakage: 164 ml/minute (10 cu. in./minute) max. at 350 bar (5075 psi)

Operating Temperature: -54 to 107°C (-65 to 225°F) with urethane seals

Filtration: See page 9.010.1

Fluids: Mineral-based or synthetics with lubricating properties at viscosities of 7.4 to 420 cSt (50 to 2000 sus); See Temperature and Oil Viscosity, page 9.060.1

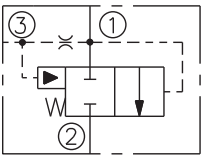
Installation: No restrictions; See page 9.020.1

Cavity: HVC16-S3; See page 9.116.1

Cavity Tool: HCT16-S3XX; See page 8.600.1

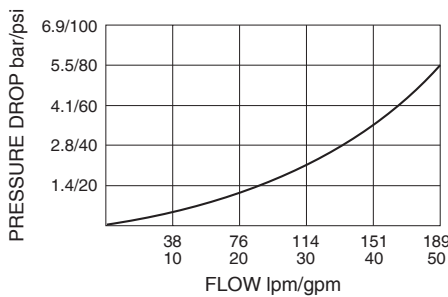
Seal Kit: SK16-S3X-X; See page 8.650.1

ISO SYMBOL



PERFORMANCE (Cartridge Only)

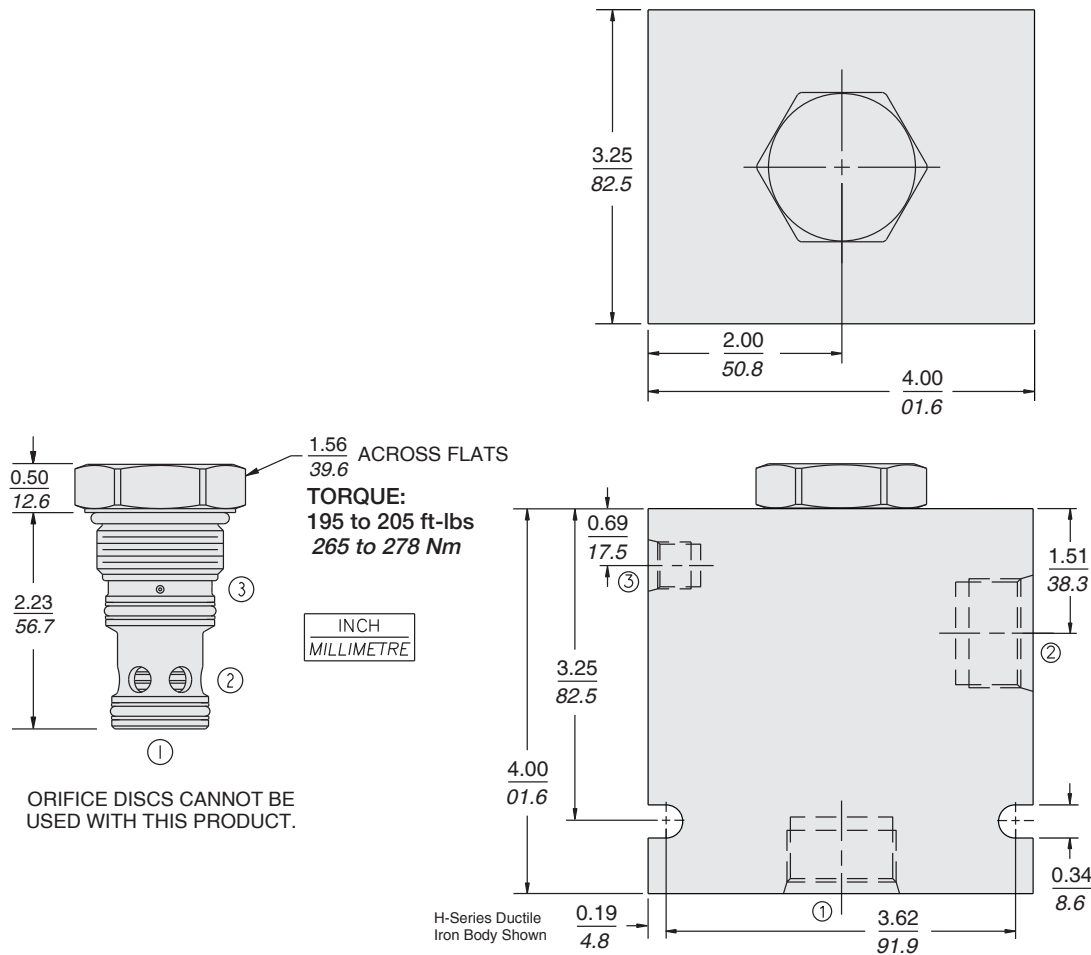
1 to 2 Fully Open
 32 cSt/150 sus oil at 40°C



Logic Element

HEV16-S34

DIMENSIONS



MATERIALS

Cartridge: Weight: 0.30 kg. (0.67 lbs.)
Steel with hardened work surfaces.
Zinc-nickel plated exposed surfaces.
PPDI Urethane seals with no backup rings standard.

Ported Body: Weight: 5.34 kg. (11.77 lbs.); H-series ductile iron standard. Rated to 345 bar (5000 psi). See page 8.016.1.

TO ORDER

HEV16-S34 - - -

Porting	0	Bias Spring Value	10
Cartridge Only	0	10	0.7 bar (10 psi)
SAE 16	16HT	20	1.4 bar (20 psi)
1 in. BSP*	8HB	40	2.8 bar (40 psi)
*BSP Body; U.K. Mfr Only		80	5.5 bar (80 psi)

Seals

U PPDI Urethane — Recommended for pressures above 241 bar (3500 psi)