



DESCRIPTION

These soft-touch keypads are designed to be used with CAN-Bus J1939 network applications. They feature a black silicone overlay with custom legends and key groupings, and are available in two models: 8-key and 20-key. The configurable keys are backlit and there are three amber indicator LEDs, which can be individually addressed via J1939 standards.

FEATURES

- Two form factors: 8 buttons, 2 across x 4 high; and 20 buttons, 5 across x 4 high.
- Dash-mountable.
- SAE-J1939 compliant.
- CAN-Bus controllable LED indicators.
- Long life — tested to 3 million activations.
- Custom legends and key combinations available (minimum order required, consult factory).
- Operating temperature: -40C to +85C.

RATINGS

Electrical and Environmental:

Sealing: IP67

CE Rated

Power: 8 to 32 VDC @ 2 amps maximum

Operating and Storage Temperature: -40 to +85°C (-40 to 185°F)

Humidity Tolerance at 115% of nominal voltage: 99% RH at 35°C for 240 hours

EMC: 100 V/m using twisted pair J1939-11 and J1939-15

Fluid Compatibility: Diesel fuel, oil, unleaded gasoline, ethanol, coolant additive, battery fluid with 37% sulfuric acid or KCH

Vibration Rating: 5.3g random, three-axis; 3.5 sinusoidal

Mechanical:

Life Cycle: 3 million activations

Backlighting: Green LED's, one per key

Indicators: Amber LEDs; Qty: 24 for 8-key model;

Qty: 60 for 20-key model; See dimension drawing for locations.

Connector: 4-pin Deutsch DT

Communications: J1939 CAN 2.0 Part B compliant

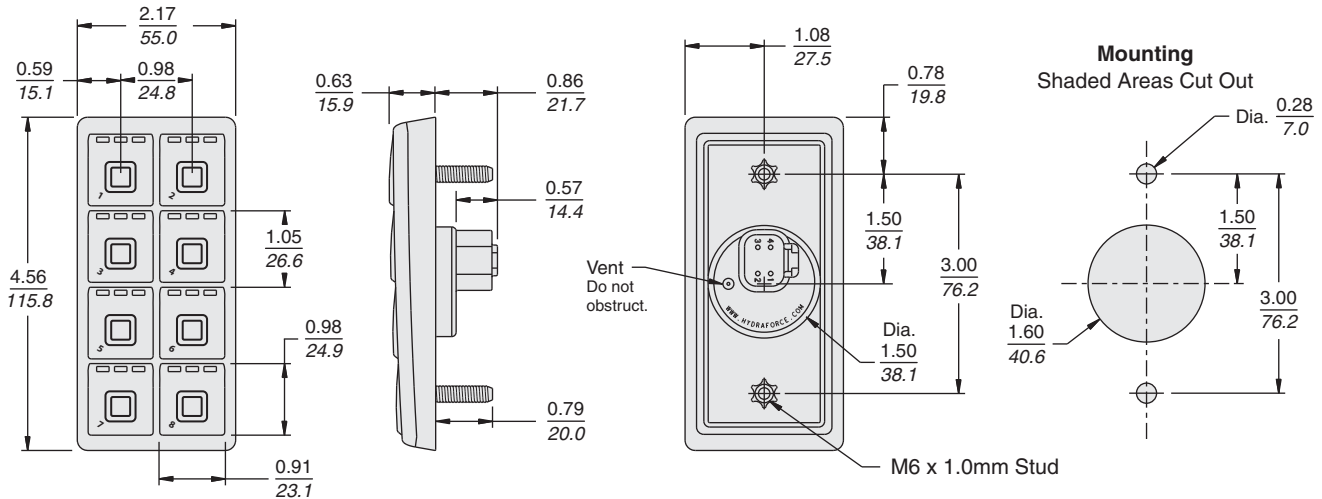
Material: Silicone-based elastomer; Color: black

CAN-Bus Keypads

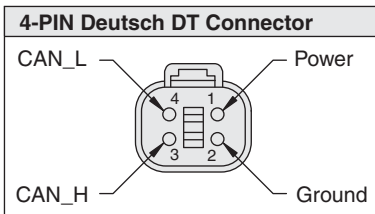
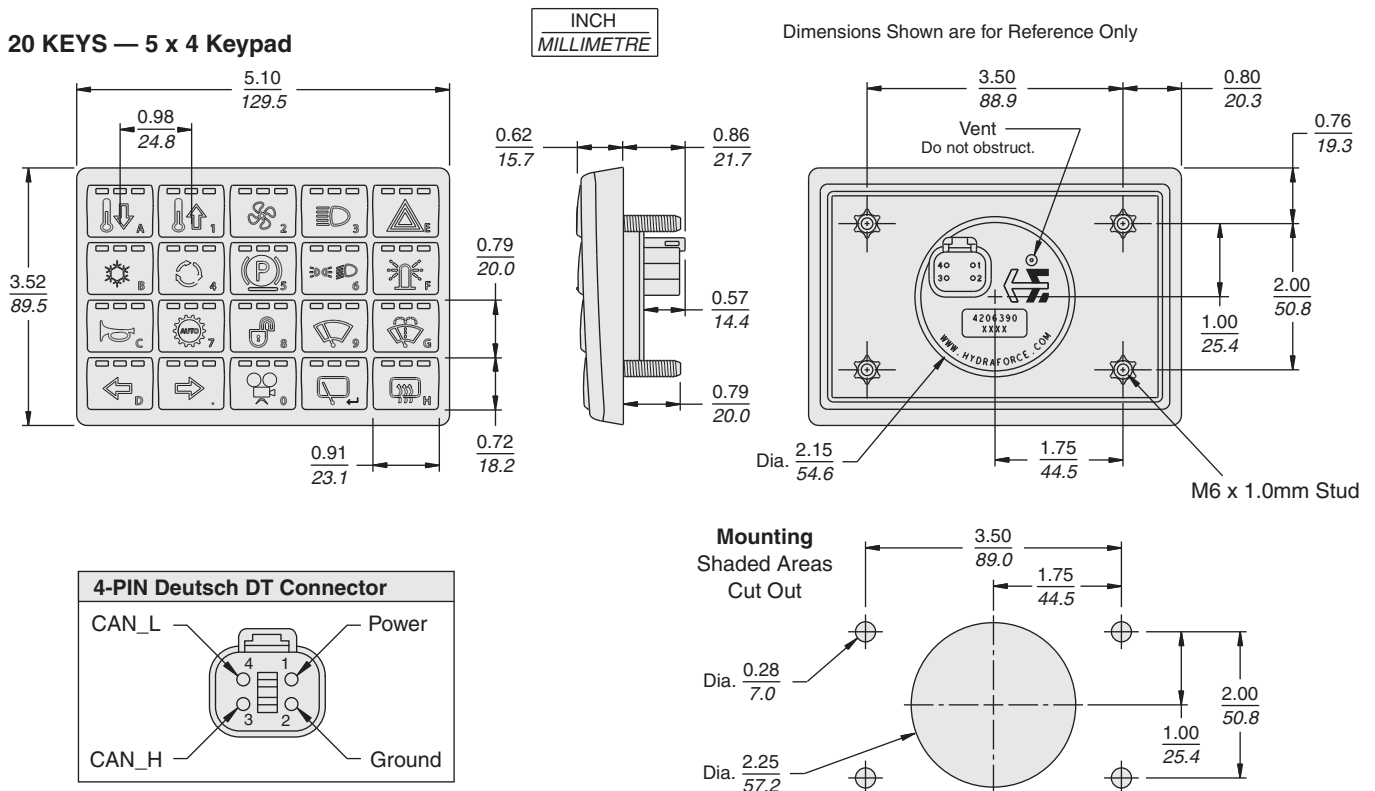
8-Key and 20-Key

DIMENSIONS & MOUNTING

8 KEYS — 2 x 4 Keypad — Vertical Configuration Shown



20 KEYS — 5 x 4 Keypad



TO ORDER

CAN-Bus Keypad	Model: 8-Key, 2 x4 Vertical	Part No. 4206520
CAN-Bus Keypad	Model: 20-Key, 5 x 4 Horizontal	Part No. 4206390
Mating Connector Kit	for 8- or 20-Keypad	Part No. 4001953
CAN Keypad User Manual	for 8- or 20-Keypad	Consult Factory