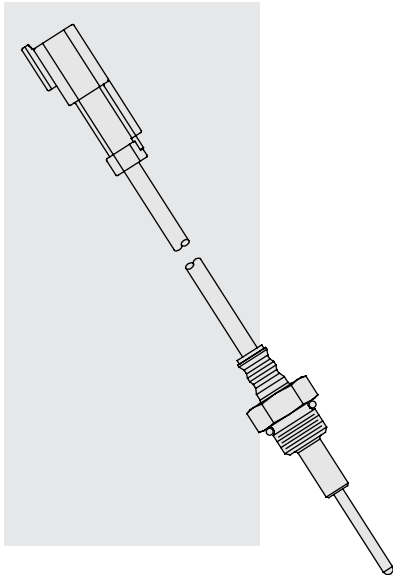


Thermistor Temperature Sensor

Model ERT150



DESCRIPTION

A thermistor style heavy-duty analog temperature sensor intended for use as a steady state temperature sensor for demanding industrial and off-highway equipment.

FEATURES

- Thermistor technology for low cost and reliability.
- Rugged design for durability in harsh conditions.
- Pigtail with connector for installation in tight places.
- Stainless steel body.

RATINGS

PERFORMANCE:

Sensing Temperature: -40°C to 150°C (-40°F to 300°F)

Output Signal: 26246 to 33.89 ohms

Accuracy: ±2°C from 30° to 70°C

Sense Current: <10 mA at 25°C

Response Time 10% to 90%: <15 sec.

Nominal Output at 25°C: 1000 ohms

INSTALLATION REQUIREMENTS:

Electrical Connection: Pigtail with Deutsch DT04-2P

Mating Connector: Deutsch DT06-2S

Port Size: SAE #6

Torque: 20 ±3 Nm (15 ±2 ft.-lb.)

ENVIRONMENTAL RATINGS:

Operating Pressure: 10 bar (145 psi) maximum

Vibration: 20 grms (20 Hz to 20 KHz)

Weather Rating: IP67

O-Ring Material: Fluorocarbon

Short Circuit Protection: Short to +Batt may cause failure of the probe

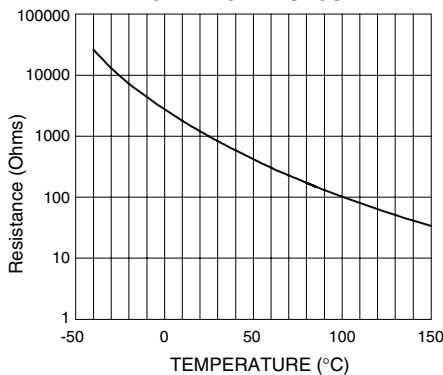
Error Handling: Device measuring will sense open or short (>100 ohms or <5 ohms)

STEINHART-HART CONSTANTS: A = 1.426654 E-03

B = 2.69848 E-04

C = 1.86111 E-07

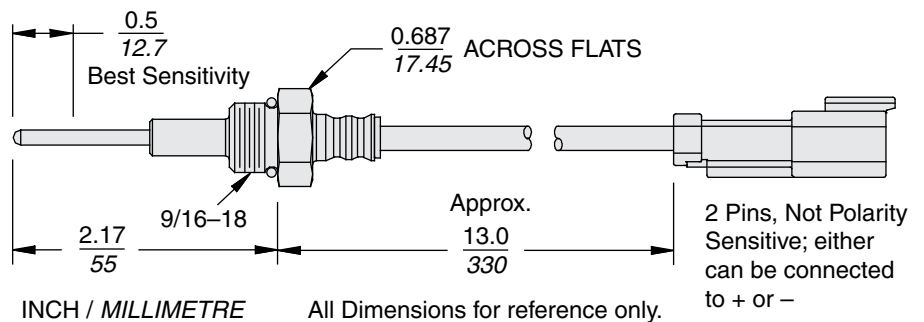
TEMPERATURE vs. RESISTANCE CHARACTERISTICS



Resistance of Thermistor at Key Temperature Points

| Temp °C | Resistance (Ohms) |
|---------|-------------------|
| -40° | 26246 |
| -20° | 7346 |
| 0° | 2768 |
| 20° | 1209 |
| 25° | 1000 |
| 30° | 831.9 |
| 40° | 585.2 |
| 50° | 420 |
| 60° | 307 |
| 70° | 228.1 |
| 80° | 172.1 |
| 90° | 131.7 |
| 100° | 102.2 |
| 110° | 80.21 |
| 120° | 63.69 |
| 130° | 51.11 |
| 140° | 41.43 |
| 150° | 33.89 |

DIMENSIONS



TO ORDER

| | | |
|---------------------------|------------------------|---------------------|
| Temperature Sensor | Model: ERT150-R-LD-06 | Part No. 4204440 |
| Mating Connector | Deutsch Model: DT06-2S | HF Part No. 4001951 |