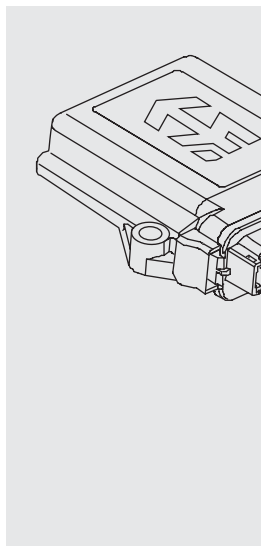


EVDR9 Nine-Valve Driver with CAN Input



FEATURES

- Microprocessor based control (standard software or OEM software on request).
- Standard hardware and software adapts to many applications.
- Robust 8 to 80VDC power supply interface with reverse polarity protection.
- Thermal overload and overvoltage protection provided.
- Rugged IP67-rated packaging with IP69K-rated plug-in connections.
- Operational from -40 to 85°C (-40 to 185°F).
- CAN for networking capability, user configuration and diagnostics.

DESCRIPTION

The EVDR9 valve driver provides precise, repeatable control of nine proportional solenoid valve coils. CAN bus communications offer control system networking capability and user configuration.

This versatile, multi-function controller is suitable for a wide range of heavy duty industrial, marine, and mobile off-highway equipment applications, such as transmission controls, vehicle traction controls, and drive-by-wire control systems.

RATINGS

POWER REQUIREMENTS:

Power Required: 8 to 80 VDC
Operating Current: 8 amp maximum load
Non-Destructive Voltage: -32 to +80 VDC

PROCESSING and MEMORY:

Motorola Microprocessor: MC56F8346
Flash ROM: 128 KByte
SRAM: 4 KByte
EEPROM: 8 KBytes

All input and output characteristics are configurable with ACP (Application Configuration Programmer).

COMMUNICATION I/O:

CAN J1939 — Standard
CANopen — Consult Factory

OUTPUTS:

PWM Driver, High Side (2A): 9;
PWM Drivers can be configured for On/Off or Proportional

ENVIRONMENTAL RATINGS:

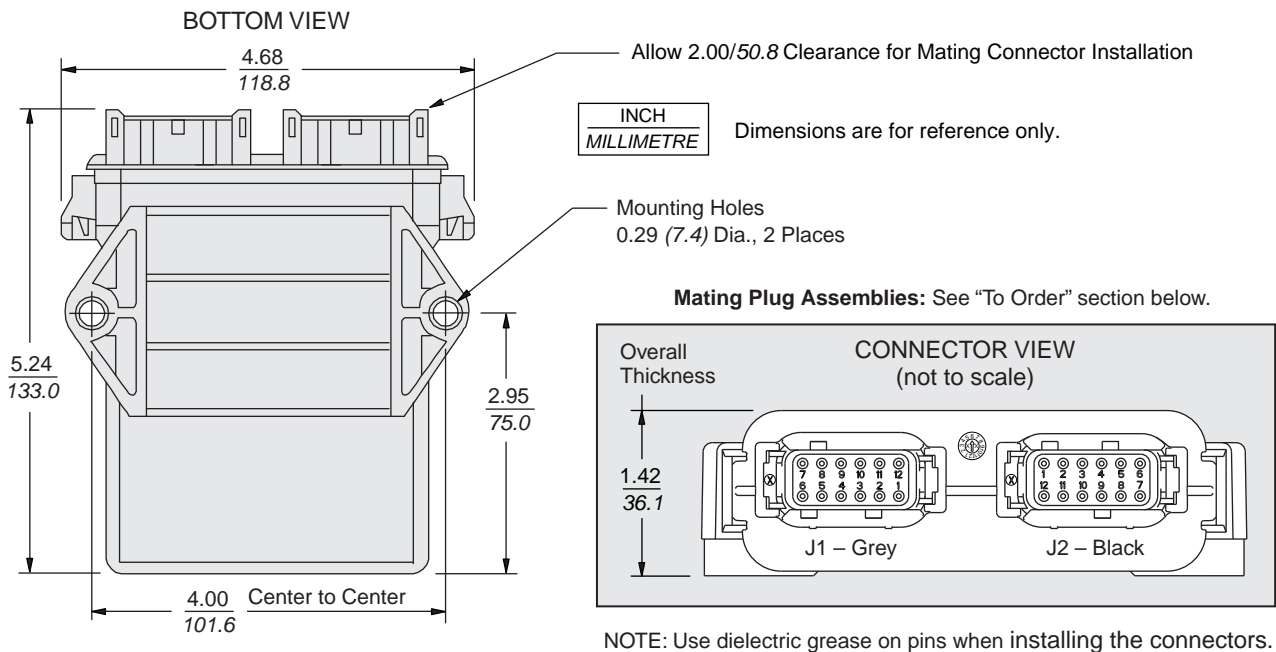
Operating Temperature Range: -40°C to +85°C
Storage Temperature Range: -50°C to 125°C
Humidity Tolerance: 115% of nominal system voltage at 90% relative humidity over operating temperature range
Salt Spray Tolerance: 115% of nominal system voltage with 5% salt spray for 48 hours at 35°C
Vibration (Shock-isolated components): 7.4 Grms random vibration from 24 Hz to 2 KHz in three orthogonal planes
Moisture Leakage (sealant pressure tolerance): ±0.35 bar (5 psi) against water and water vapor; immersion resistant in 3 ft. (1 meter) of water; meets IP67 standards.
Radiated Immunity: 10 V/M; 80 MHz to 1.0 GHz
Electrostatic Environment: Zero damage during exposure to electrostatic painting process (IEC 61000-4-2)

Materials:

Housing: Thermoplastic with silicone elastomer seals.
Contacts: Tin-plated copper alloy.

EVDR9 Nine-Valve Driver with CAN Input

DIMENSIONS



PINOUT

Connector J1 – Grey

Pin	Function
1	Ground 5
2	Ground 4
3	Ground 3
4	Ground 2
5	Ground 1
6	BATT –
7	BATT +
8	Output 1
9	Output 2
10	Output 3
11	Output 4
12	Output 5

Connector J2 – Black

Pin	Function
1	Output 6
2	Output 7
3	Output 8
4	Output 9
5	Factory Use
6	CAN HI
7	CAN LO
8	Factory Use
9	Ground 9
10	Ground 8
11	Ground 7
12	Ground 6

TO ORDER

Controller Model EVDR9; Part No. 4000251

Connector Kits: J1, DTM06-12A Kit, Grey: 4001976
J2, DTM06-12B Kit, Black: 4001977

Configuration Kit

Includes Converter, Cable and Software: 4000250

CAN Flashing Cable: Part No. 4000697