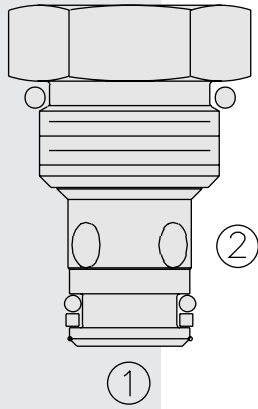


FC08-20F Flow Control, Orifice Check



DESCRIPTION

A screw-in, cartridge-style, restrictor check valve.

OPERATION

The **FC08-20F** acts as a restrictor in the ② to ① direction. As a check valve it provides free flow from ① to ②.

FEATURES

- Hardened spool and cage for long life.
- Industry-common cavity.

RATINGS

Operating Pressure: 240 bar (3500 psi)

Flow: See Performance Chart

Temperature: -40 to 120°C with Buna N seals

Filtration: See page 9.010.1

Fluids: Mineral-based or synthetics with lubricating properties at viscosities of 7.4 to 420 cSt (50 to 2000 sus); See Temperature and Oil Viscosity, page 9.060.1

Installation: No restrictions; See page 9.020.1

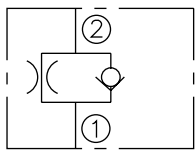
Cavity: VC08-2; See page 9.108.1

Cavity Tool: CT08-2XX; See page 8.600.1

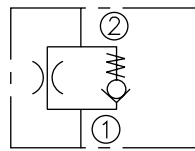
Seal Kit: SK08-2X-T; See page 8.650.1

SYMBOLS

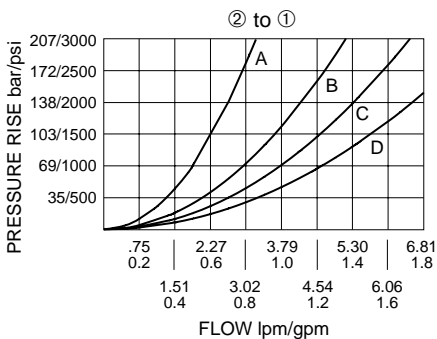
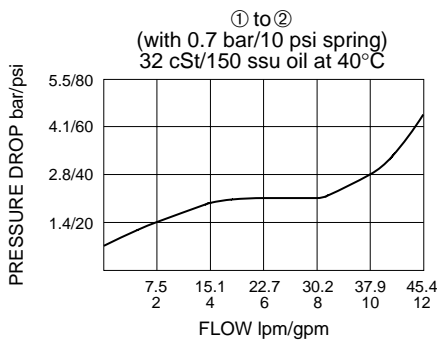
USASI:



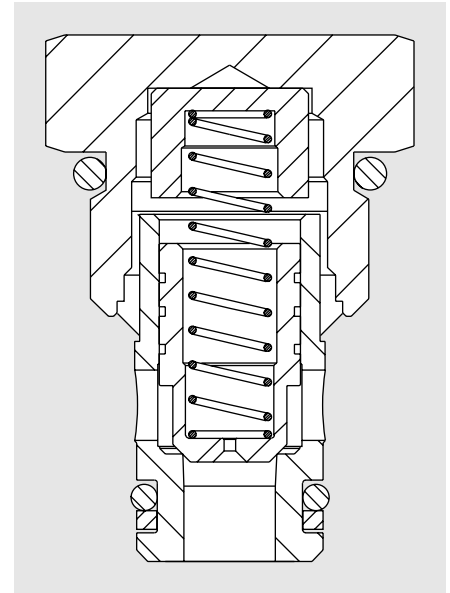
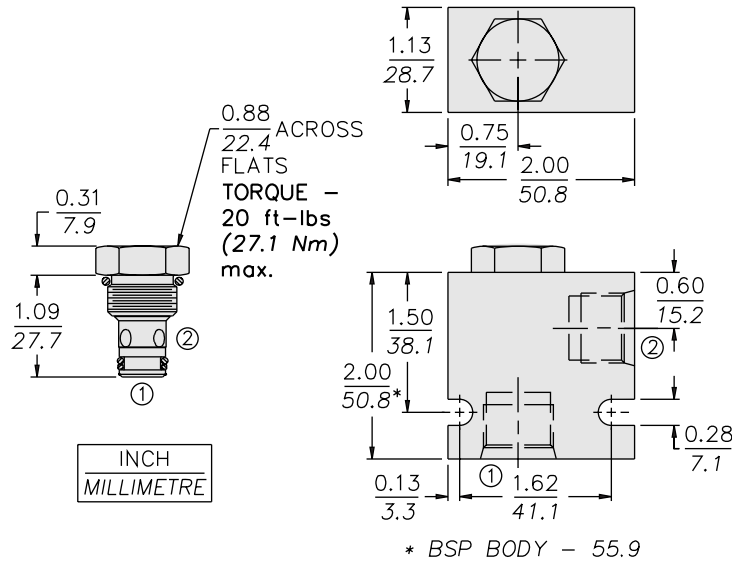
ISO:



PERFORMANCE (Cartridge Only)



DIMENSIONS



MATERIALS

Cartridge: Weight: 0.10 kg. (0.23 lbs.)
Steel with hardened work surfaces.
Zinc-plated exposed surfaces.
Buna N O-rings and polyester
elastomer back-up standard.

Standard Ported Body: Weight:
0.16 kg. (0.35 lbs.) Anodized high-
strength 6061 T6 aluminum alloy,
rated to 207 bar (3000 psi). Ductile
iron bodies available; dimensions
may differ. See page 8.008.1

TO ORDER

FC08-20F -

Porting
Cartridge Only **0**
SAE 4 **4T**
SAE 6 **6T**
1/4 in. BSP* **2B**
3/8 in. BSP* **3B**
1/2 in. BSP* **4B**
*BSP Body; U.K. Mfr. Only

Bias Spring
10 0.7 bar (10 psi) Std.
Optional Bias Springs
considered on OEM request.

Equivalent Orifice Size

A .025 in.
B .033 in.
C .036 in.
D .040 in.
E .053 in.
F .056 in.
G .047 in.

Seals

N Buna N (Std.)
V Fluorocarbon