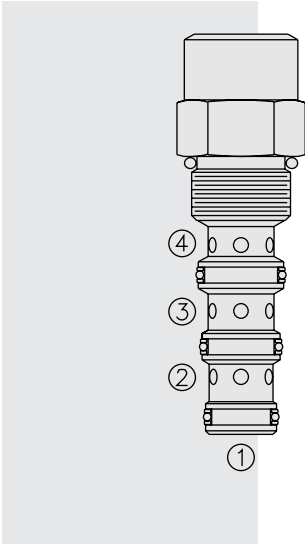


EC10-43 Pressure Compensator



DESCRIPTION

A screw-in, cartridge-style, **priority-on-demand**, pressure-compensator with a dynamic load sense, intended to provide priority flow in the required amount, while allowing excess flow to be used for auxiliary functions.

OPERATION

With inlet flow at ③, the **EC10-43** will deliver required priority flow at ④, regardless of load pressure. Excess flow exits at ②. Port ① is the load sense port. All ports may be fully pressurized.

FEATURES

- Hardened parts for long life.
- Quiet, modulated response.
- Industry common cavity.

RATINGS

Operating Pressure: Inlet: 240 bar (3500 psi)

Maximum Regulated Flow: 34.1 lpm (9 gpm) with 10.3 bar (150 psi) compensator spring; 26.0 lpm (7.0 gpm) with 5.5 bar (80 psi) compensator spring

Flow Maintenance: see performance chart

Temperature: -40 to 120°C with Buna N seals

Filtration: See page 9.010.1

Fluids: Mineral-based or synthetics with lubricating properties at viscosities of 7.4 to 420 cSt (50 to 2000 sus); See Temperature and Oil Viscosity, page 9.060.1

Installation: No restrictions; See page 9.020.1

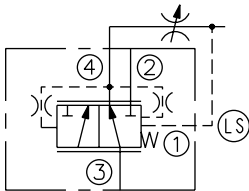
Cavity: VC10-4; See page 9.110.1

Cavity Tool: CT10-4-XXX; See page 8.600.1

Seal Kit: SK10-4X-MMM; See page 8.650.1

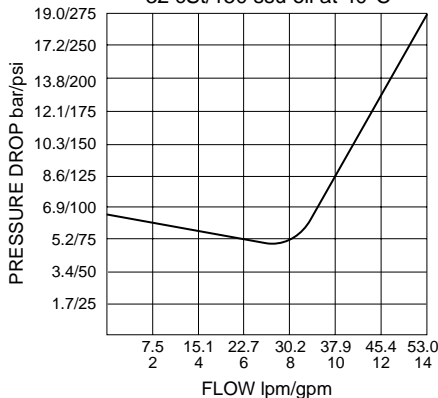
SYMBOLS

USASI/ISO:



PERFORMANCE (Cartridge Only)

Pressure Drop vs. Inlet Flow
③ to ②, with ④ closed;
No load at ②; 150 psi Spring
32 cSt/150 ssu oil at 40°C

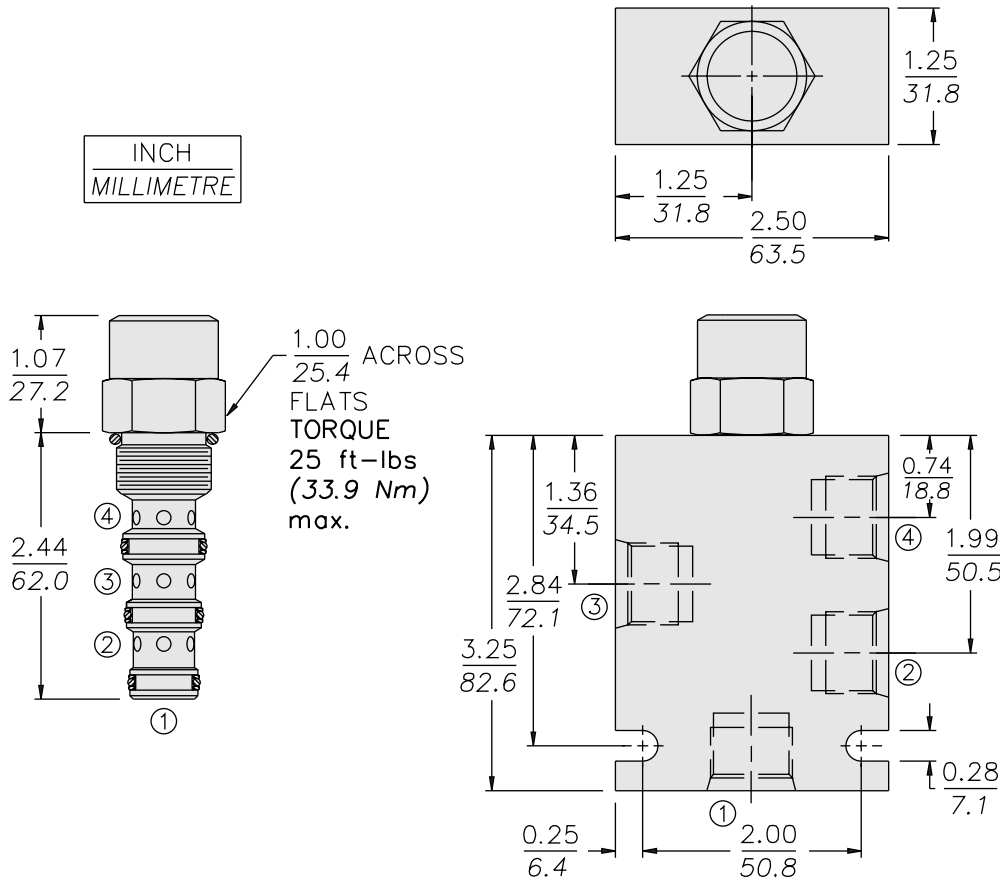


Note: This valve, the EC10-43, replaces the older EC10-41 functionally, although the two valves have different port logic. We will continue to provide the EC10-41 for existing customers, but recommend conversion to the new EC10-43 for new designs. For more information consult factory.

with Dynamic Load Sense

EC10-43

DIMENSIONS



MATERIALS

Cartridge: Weight: 0.16 kg. (0.35 lbs.)
Steel with hardened work surfaces.
Zinc-plated exposed surfaces.
Buna N O-rings and polyester elastomer back-ups standard.

Standard Ported Body: Weight: 0.34 kg. (0.75 lbs.) Anodized high-strength 6061 T6 aluminum alloy, rated to 207 bar (3000 psi). Ductile iron bodies available; dimensions may differ. See page 8.010.1.

TO ORDER

