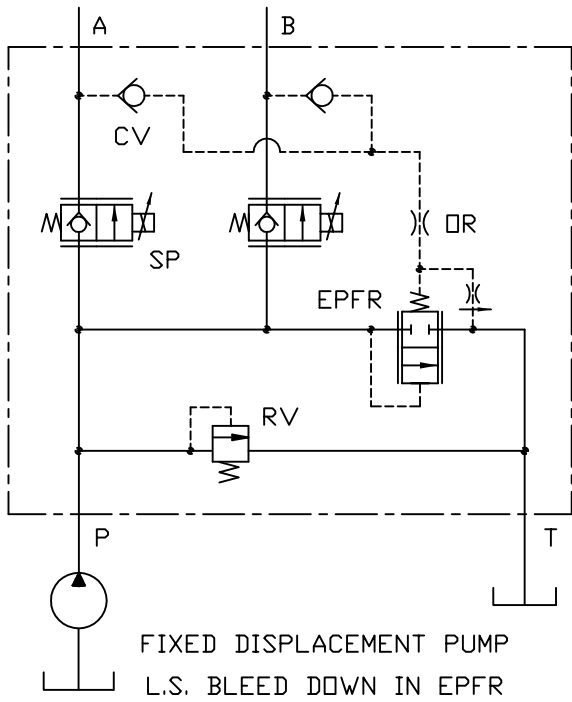
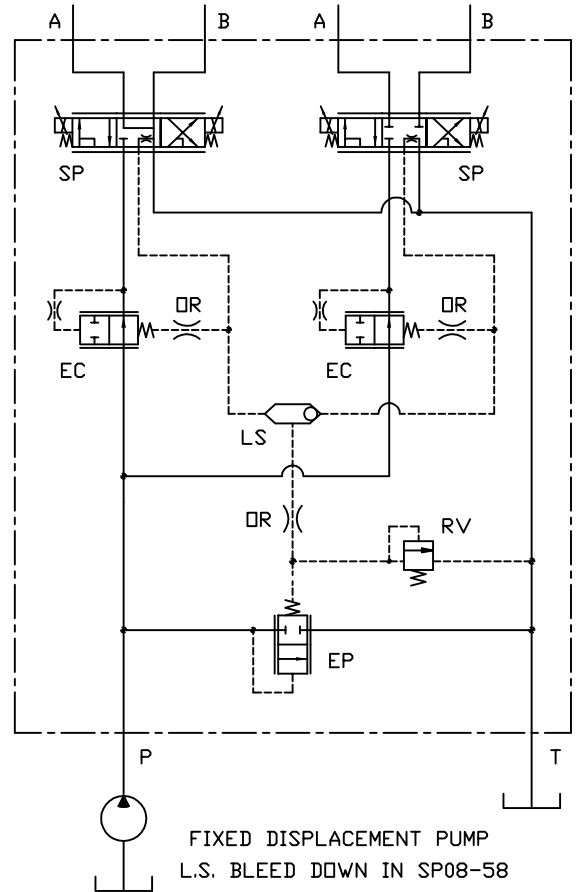


DYNAMIC APPLICATION FOR CV04-B20 OR CV08-20



STATIC APPLICATION FOR LS04-B30



DYNAMIC APPLICATION FOR LS08-30 & CV08-20

