



## ••••• INNOVATION AT WORK FOR YOU •••••

### NEW Relief Valves Enhance Stability of Pilot Function Pressure Control

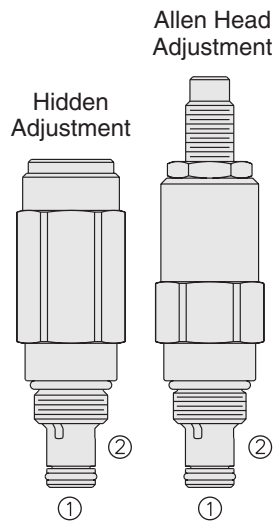
New RV08-29x direct-acting, poppet-type, hydraulic relief valves are intended for controlling pressure in low-flow pilot circuits. They are rated up to 3500 psi/241 bar with an adjustable pressure range from 1000 to 3500 psi (69 to 241 bar), and a flow range up to 0.5 gpm/1.9 lpm. The RV08-29x valves are designed to enhance the stability of pilot function pressure control.

RV08-29x valves feature a very low internal-leakage rate of 0.18 cu. in./min (3 ml/min) to 80% of nominal setting, which ensures accurate system regulation. Adjustment options

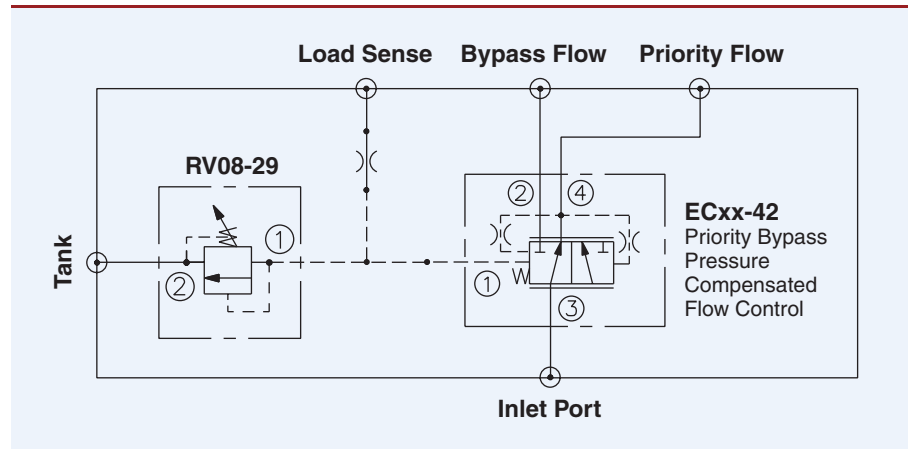
are either a 1/4-inch hex allen head adjustment, or a factory preset hidden adjustment. Seals are standard Buna N, or fluorocarbon for higher temperature applications.

HydraForce is committed to continuing innovation in the design, manufacture, and application of hydraulic and electro-hydraulic control components and systems for the material handling and heavy-duty mobile equipment OEM industries.

[Go to Catalog Page](#)



#### Typical Application of RV08-29 Valve in a Priority Load-Sensing Circuit:



Features	Benefits
Standard VC08-2 cavity.	No additional tooling costs required.
0.5 gpm/1.9 lpm rated flow.	Covers low-flow applications.
Adjustable pressure relief rates of 1000 to 3500 psi (69 to 241 bar).	Flexibility for use in a variety of applications.
Low leakage rate of .18 cu. in./min (3 ml/min) at 80% of crack.	Low hysteresis and leakage.
Designed for pilot circuits to assure system stability.	Ideal for priority load sense and bleed-off compensation circuits.
Designed, inspected and tested to HydraForce quality standards with 5-yr limited warranty (See full warranty statement in the catalog).	Long life; no worries about wear or decreased performance over time.

For detailed information and specifications please see [www.hydraforce.com](http://www.hydraforce.com) or contact your HydraForce representative.

#### HYDRAFORCE, INC.

500 Barclay Blvd. • Lincolnshire, IL 60069 USA  
 Ph: 847 793 2300 • Fx: 847 793 0086  
 Web: [www.hydraforce.com](http://www.hydraforce.com) • E-Mail: [sales@hydraforce.com](mailto:sales@hydraforce.com)  
 ISO 9001 & QS 9000 • Member: National Fluid Power Assn.

#### HYDRAFORCE HYDRAULICS, LTD.

St. Stephens Street • Birmingham B6 4RG England  
 Ph: 0121 333 1800 • Fx: 0121 333 1810  
 Web: [www.hydraforce.com](http://www.hydraforce.com) • E-Mail: [sales@hydraforce.com](mailto:sales@hydraforce.com)  
 ISO 9001 & ISO 14001 • Member: British Fluid Power Assn.