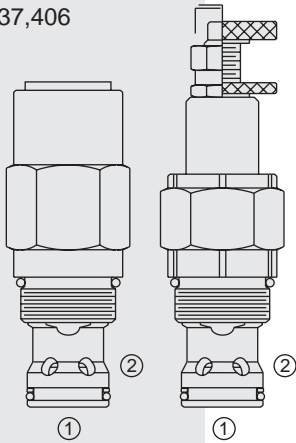


RV56-26 Relief, Pilot-Operated, High Pressure

U.S. Patent
7,137,406



DESCRIPTION

A screw-in, cartridge-style, pilot-operated (two-stage), spool-type hydraulic relief valve, intended for use as a pressure limiting device in demanding hydraulic circuits which require fast response and low hysteresis.

OPERATION

The **RV56-26** blocks flow from ① to ② until sufficient pressure is present at ① to force the piloting relief off its seat, allowing the main (second stage) spool to shift, opening ① to ②. The cartridge offers smooth transition in response to load changes in demanding hydraulic circuits.

NOTE: The RV56-26 cannot be used in cross-over relief applications.

FEATURES

- Adjustments cannot be backed out of the valve.
- Adjustments prohibit springs from going solid.
- Hardened spool and cage for long life.
- Fast, smooth response to pressure surges.

RATINGS

Rated Pressure Range at Crack: 207 to 345 bar (3000 to 5000 psi)

Crack Pressure Defined: bar (psi) evident at 7.57 lpm (2.0 gpm) attained.

Reseat Pressure: Nominal 90% of crack pressure.

Flow: See Performance Chart

Internal Leakage: Measured under 85% of pressure setting at 38°C (100°F):
213 ml/minute (13 cu. in./minute).

Spring Range: Model Code 50: 206.8 to 344.7 bar (3000 to 5000 psi)

Operating Temperature: with polyurethane seals: -54°C to 107°C

Filtration: See page 9.010.1

Fluids: Mineral-based or synthetics with lubricating properties at viscosities of
7.4 to 420 cSt (50 to 2000 sus); See Temperature and Oil Viscosity, page 9.060.1

Installation: No restrictions; See page 9.020.1

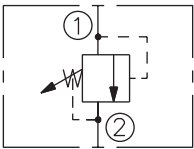
Cavity: VC16-2; See page 9.116.1

Cavity Tool: CT16-2XX; See page 8.600.1

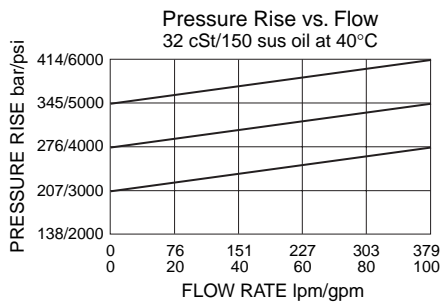
Seal Kit: SK16-2P-B; See page 8.650.1

SYMBOLS

USASI/ISO:

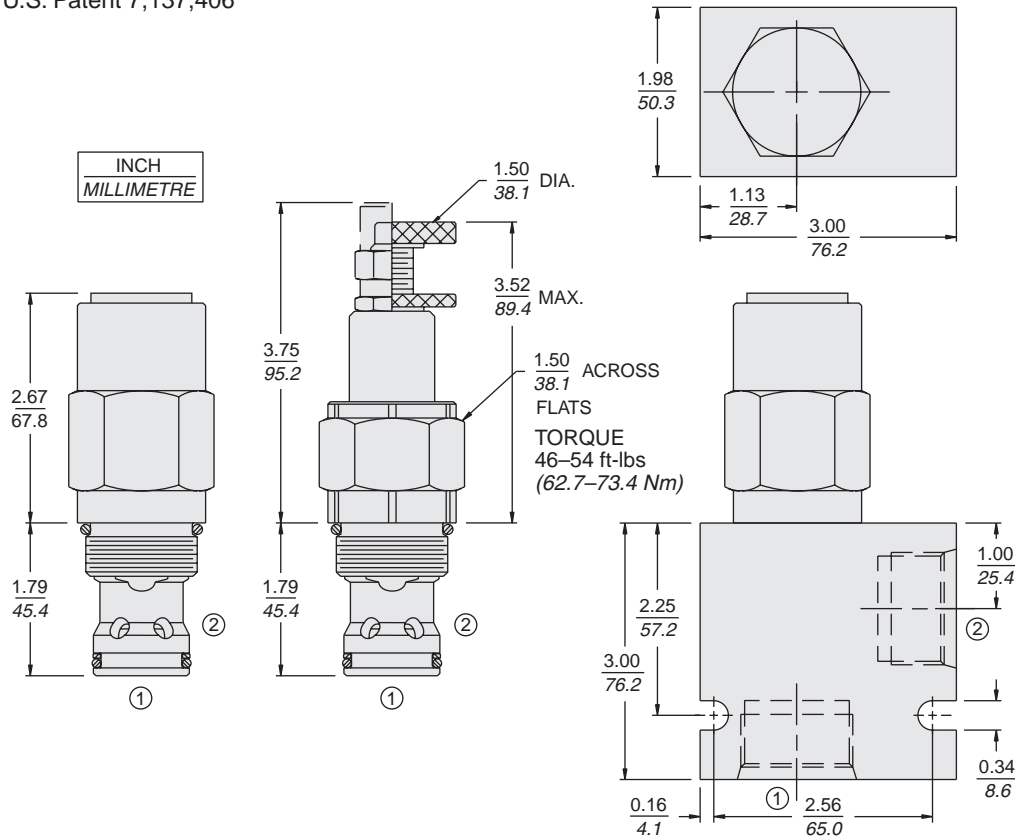


PERFORMANCE (Cartridge Only)



DIMENSIONS

U.S. Patent 7,137,406



MATERIALS

Cartridge: Weight: 0.7 kg. (1.54 lbs.)
 Steel with hardened work surfaces.
 Zinc-plated exposed surfaces.
 Buna N O-rings and polyester elastomer back-up standard.
 Anodized aluminum knobs.

Standard Ported Body: Weight: 0.57 kg. (1.25 lbs.) Anodized high-strength 6061 T6 aluminum alloy, rated to 207 bar (3000 psi). Ductile iron bodies available; dimensions may differ. See page 8.016.1

TO ORDER

RV56-26 - - - /

Adjustment Option

- 1/4 in. Hex Allen Head **A**
- 1-1/2 in. Dia. Alum. Knob **B**
- Option A w/ Cover Cap **C**
- Factory Preset Non-Adj. **F**
- Factory Preset Hidden Adjustment **H**

Porting

- Cartridge Only **0**
- SAE 12 **12T**
- SAE 16 **16T**
- 3/4 in. BSP* **6B**
- 1 in. BSP* **8B**

*BSP Body; UK Mfr. Only

Setting in bar[†]

(Blank) for Adjustable, or Specify, for example:

- M207** 207 bar
- M345** 345 bar

Setting in psi[†]

(Blank) for Adjustable, or Specify, for example:

- 30.0** 3000 psi
- 50.0** 5000 psi

[†]Adjustable valves will be preset to approx. 50% of spring max. potential.

Seals

- P** Polyurethane

Spring Range

- 50** 206.8 to 344.7 bar (3000 to 5000 psi)