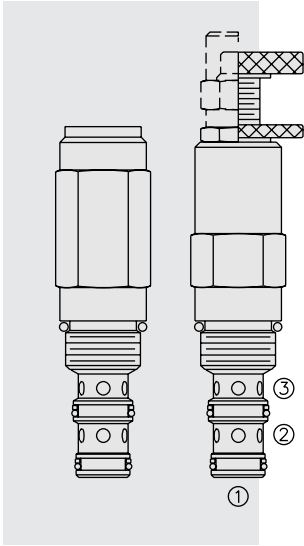


PS10-32 Sequence, External Pilot, Internal Drain



DESCRIPTION

A screw-in, cartridge-style, direct-acting, spool-type, hydraulic sequence valve with external pilot and internal spring chamber drain.

OPERATION

In its steady state, **PS10-32** blocks flow from ③ to ②. On attainment of a pre-determined pressure at ①, the cartridge shifts to open ③ to ②. Since the spring chamber is vented at ②, back pressure at ② will directly (1:1) affect the valve's setting.

FEATURES

- Adjustments cannot be backed out of the valve.
- Adjustments prohibit springs from going solid.
- Optional spring ranges to 145 bar (2100 psi).
- Hardened spool and cage for long life.
- Industry common cavity.

RATINGS

Operating Pressure: 207 bar (3000 psi)

Flow: See Performance Chart

Internal Leakage: 82 cc/minute (5 cu. in./minute) max. to 90% of nominal setting

Standard Spring Ranges:

- 5.5 to 27.6 bar (80 to 400 psi)
- 13.8 to 55.2 bar (200 to 800 psi)
- 20.7 to 103.4 bar (300 to 1500 psi)
- 27.6 to 144.8 bar (400 to 2100 psi)

Temperature: -40 to 120°C with standard Buna seals

Filtration: See page 9.010.1

Fluids: Mineral-based or synthetics with lubricating properties at viscosities of 7.4 to 420 cSt (50 to 2000 sus); See Temperature and Oil Viscosity, page 9.060.1

Installation: No restrictions; See page 9.020.1

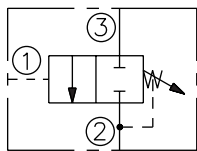
Cavity: VC10-3; See page 9.110.1

Cavity Tool: CT10-3XX; See page 8.600.1

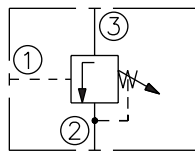
Seal Kit: SK10-3X-TB; See page 8.650.1

SYMBOLS

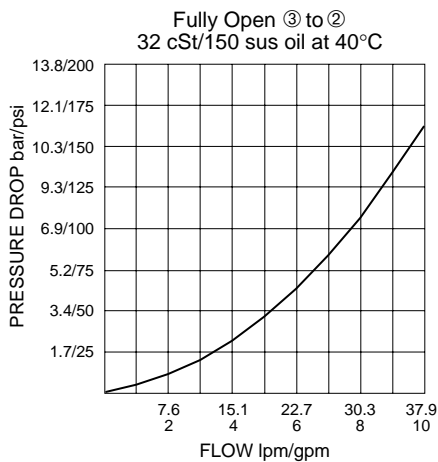
USASI:



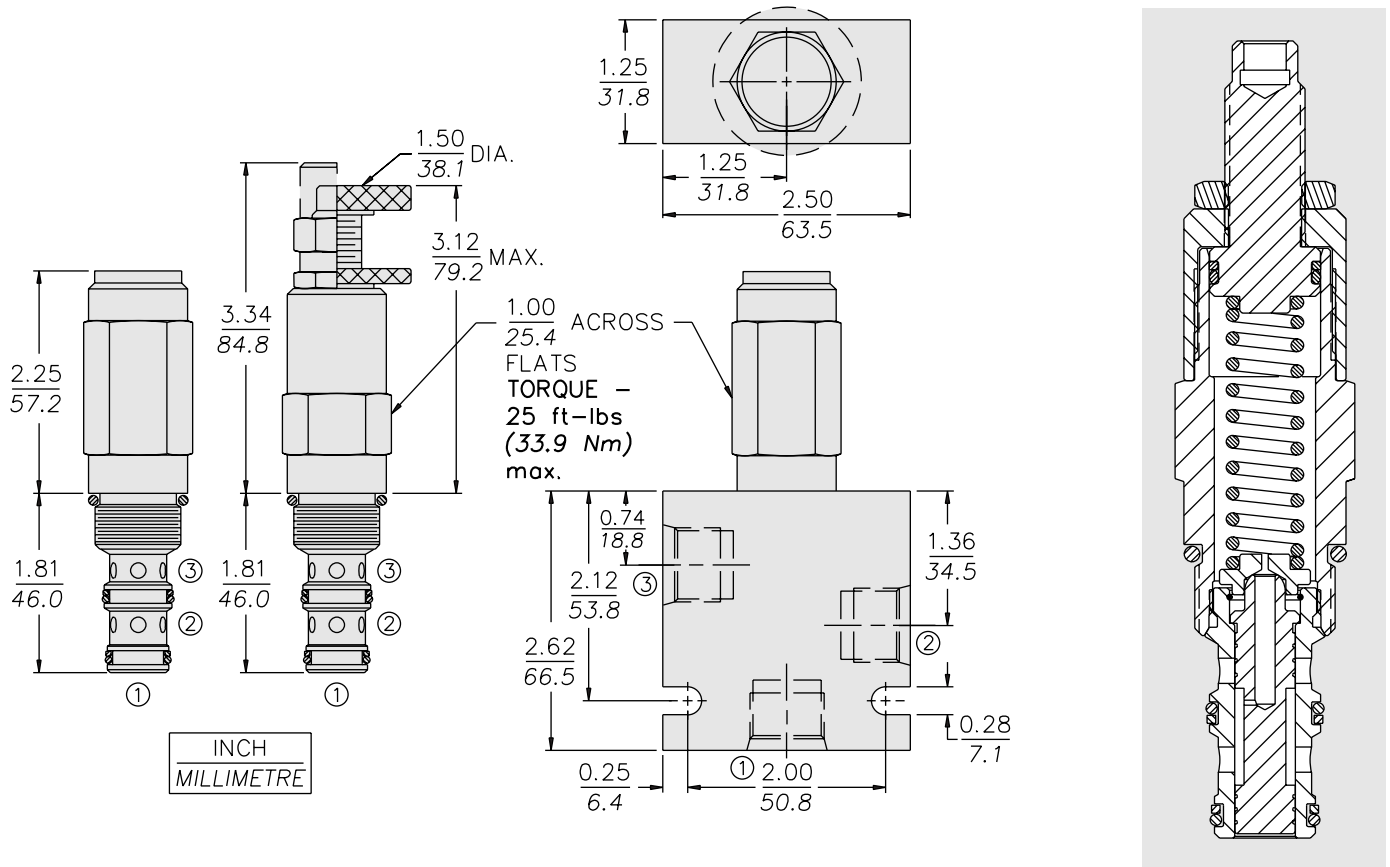
ISO:



PERFORMANCE (Cartridge Only)



DIMENSIONS



MATERIALS

Cartridge: Weight: 0.27 kg. (0.60 lbs.)
 Steel with hardened work surfaces.
 Zinc-plated exposed surfaces.
 Buna N O-rings and polyester elastomer back-ups standard.
 Anodized aluminum knobs.

Standard Ported Body: Weight: 0.36 kg. (0.80 lbs.) Anodized high-strength 6061 T6 aluminum alloy, rated to 207 bar (3000 psi). Ductile iron bodies available; dimensions may differ. See page 8.010.1

TO ORDER

PS10-32 - - - /

Adjustment Option

- 1/4 in. Hex Allen Head **A**
- 1-1/2 in. Dia. Alum. Knob **B**
- Option A w/Cover Cap **C**
- Factory Preset Non-Adj. **F**
- Factory Preset Hidden Adj. **H**
- (See page 6.003.1) Option C w/Lockwire Holes **L**

Porting

- Cartridge Only **0**
- SAE 6 **6T**
- SAE 8 **8T**
- 1/4 in. BSP* **2B**
- 3/8 in. BSP* **3B**

Seals

- Buna N (Std.) **N**
- Fluorocarbon **V**

Setting in bar[†]

(Blank) for Adjustable, or Specify, for example:

- M25** 25 bar
- M100** 100 bar

Setting in psi[†]

(Blank) for Adjustable, or Specify, for example:

- 9.0** 900 psi
- 21.0** 2100 psi

Spring Range

- 4** 5.5 to 27.6 bar (80 to 400 psi)
- 8** 13.8 to 55.2 bar (200 to 800 psi)
- 15** 20.7 to 103.4 bar (300 to 1500 psi)
- 21** 27.6 to 144.8 bar (400 to 2100 psi)

*BSP Body; U.K. Mfr. Only

[†] Adjustable valves will be preset to approx. 50% of spring max. potential.