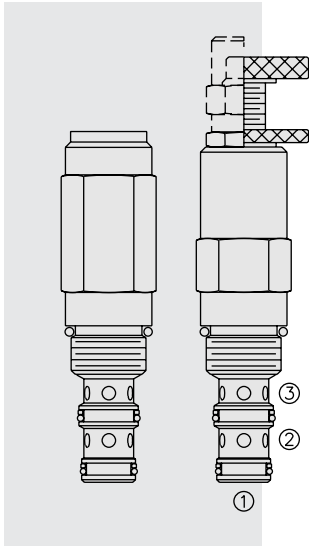


# PS10-33 Sequence, External Pilot, Internal Drain



## DESCRIPTION

A screw-in, cartridge-style, direct-acting, spool-type, hydraulic sequence valve with external pilot and internal spring chamber drain.

## OPERATION

In its steady state, the **PS10-33** blocks flow from ③ to ②.

On attainment of a pre-determined pressure at ①, the cartridge shifts to open ③ to ②. Since the spring chamber is vented at ②, back pressure at ② will directly (1:1) affect the valve's setting.

## FEATURES

- Adjustments cannot be backed out of the valve.
- Adjustments prohibit springs from going solid.
- Spring range to 240 bar (3500 psi).
- Hardened spool and cage for long life.
- Industry common cavity.

## RATINGS

**Operating Pressure:** 240 bar (3500 psi)

**Flow:** See Performance Chart

**Internal Leakage:** 82 cc/minute (5 cu. in./minute) max. to 90% of nominal setting

**Standard Spring Range:** 35 to 240 bar (500 to 3500 psi)

**Temperature:** -40 to 120°C with standard Buna seals

**Filtration:** See page 9.010.1

**Fluids:** Mineral-based or synthetics with lubricating properties at viscosities of 7.4 to 420 cSt (50 to 2000 sus); See Temperature and Oil Viscosity, page 9.060.1

**Installation:** No restrictions; See page 9.020.1

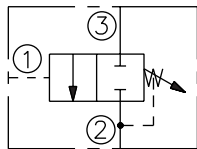
**Cavity:** VC10-3; See page 9.110.1

**Cavity Tool:** CT10-3XX; See page 8.600.1

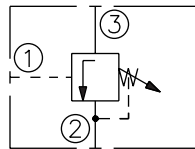
**Seal Kit:** SK10-3X-TB; See page 8.650.1

## SYMBOLS

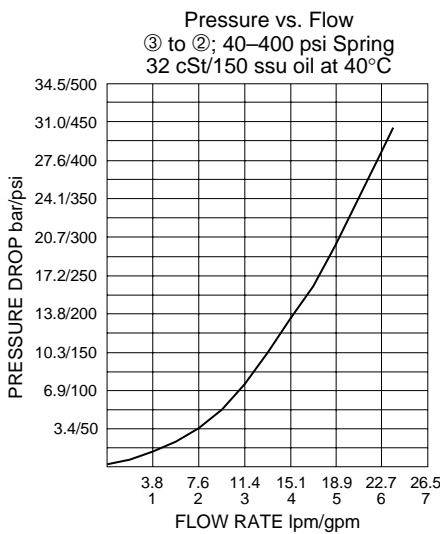
### USASI:



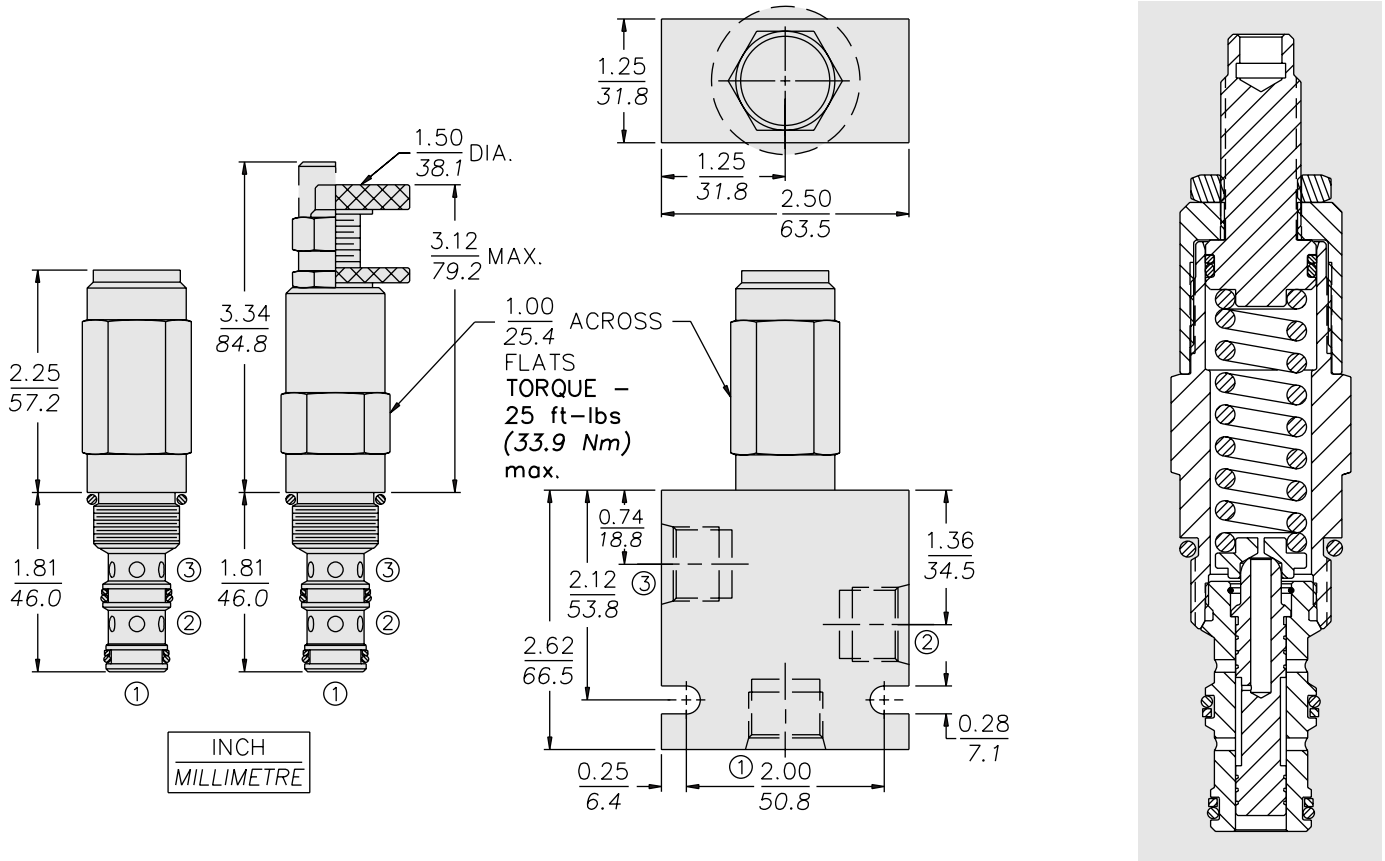
### ISO:



## PERFORMANCE (Cartridge Only)



**DIMENSIONS**



**MATERIALS**

**Cartridge:** Weight: 0.27 kg. (0.60 lbs.)  
 Steel with hardened work surfaces.  
 Zinc-plated exposed surfaces.  
 Buna N O-rings and polyester elastomer back-ups standard.  
 Anodized aluminum knobs.

**Standard Ported Body:** Weight: 0.36 kg. (0.80 lbs.) Anodized high-strength 6061 T6 aluminum alloy, rated to 207 bar (3000 psi). Ductile iron bodies available; dimensions may differ. See page 8.010.1

**TO ORDER**

**PS10-33** - - - /

<p><b>Adjustment Option</b></p> <p>1/4 in. Hex Allen Head <b>A</b></p> <p>1-1/2 in. Dia. Alum. Knob <b>B</b></p> <p>Option A w/Cover Cap <b>C</b></p> <p>Factory Preset Non-Adjst. <b>F</b></p> <p>Factory Preset Hidden Adjustment (See page 6.003.1) <b>H</b></p> <p>Option C w/Lockwire Holes <b>L</b></p>	<p><b>Porting</b></p> <p>Cartridge Only <b>0</b></p> <p>SAE 6 <b>6T</b></p> <p>SAE 8 <b>8T</b></p> <p>1/4 in. BSP* <b>2B</b></p> <p>3/8 in. BSP* <b>3B</b></p>	<p><b>Seals</b></p> <p>Buna N (Std.) <b>N</b></p> <p>Fluorocarbon <b>V</b></p>	<p><b>Setting in bar<sup>†</sup></b></p> <p>(Blank) for Adjustable, or Specify, for example:</p> <p><b>M50</b> 50 bar</p> <p><b>M100</b> 100 bar</p> <p><b>Setting in psi<sup>†</sup></b></p> <p>(Blank) for Adjustable, or Specify, for example:</p> <p><b>9.0</b> 900 psi</p> <p><b>23.5</b> 2350 psi</p>	<p><b>Spring Range</b></p> <p><b>35</b> 35 to 240 bar (500 to 3500 psi)</p>
---	--	--	---	---

\*BSP Body; U.K. Mfr. Only

<sup>†</sup> Adjustable valves will be preset to approx. 50% of spring max. potential.