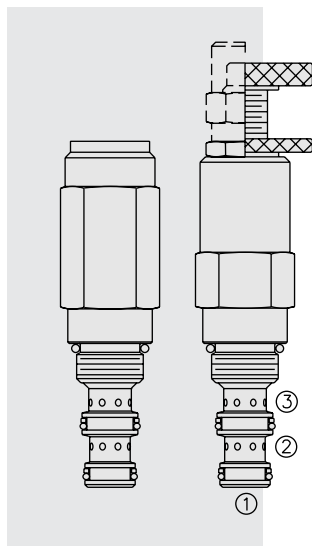


PS08-35 Sequence, External Pilot, Internal Drain



DESCRIPTION

A screw-in, cartridge-style, direct-acting, spool-type, hydraulic sequence valve with external pilot and internal spring chamber drain.

OPERATION

In its steady state, the **PS08-35** allows flow from ② to ③.

On attainment of a pre-determined pressure at ①, the cartridge shifts to close ② to ③. Since the spring chamber is vented at ③, back pressure at ③ will directly (1:1) affect the valve's setting.

FEATURES

- Adjustments cannot be backed out of the valve.
- Adjustments prohibit springs from going solid.
- Optional spring ranges to 165.5 bar (2400 psi).
- Hardened spool and cage for long life.
- Compact size.

RATINGS

Operating Pressure: 240 bar (3500 psi)

Flow: See Performance Chart

Internal Leakage: 82 cc/minute (5 cu. in./minute) max. at full close

Standard Spring Ranges:

- 3.4 to 20.7 bar (50 to 300 psi);
- 6.9 to 41.4 bar (100 to 600 psi);
- 10.3 to 89.7 bar (150 to 1300 psi);
- 20.7 to 165.5 bar (300 to 2400 psi)

Temperature: -40 to 120°C with standard Buna seals

Filtration: See page 9.010.1

Fluids: Mineral-based or synthetics with lubricating properties at viscosities of 7.4 to 420 cSt (50 to 2000 sus); See Temperature and Oil Viscosity, page 9.060.1

Installation: No restrictions; See page 9.020.1

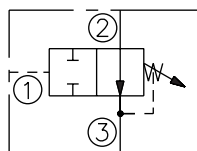
Cavity: VC08-3; See page 9.108.1

Cavity Tool: CT08-3XX; See page 8.600.1

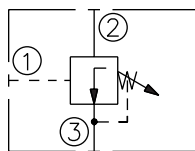
Seal Kit: SK08-3X-BM; See page 8.650.1

SYMBOLS

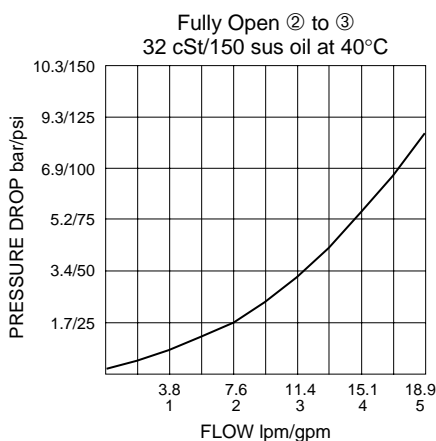
USASI:



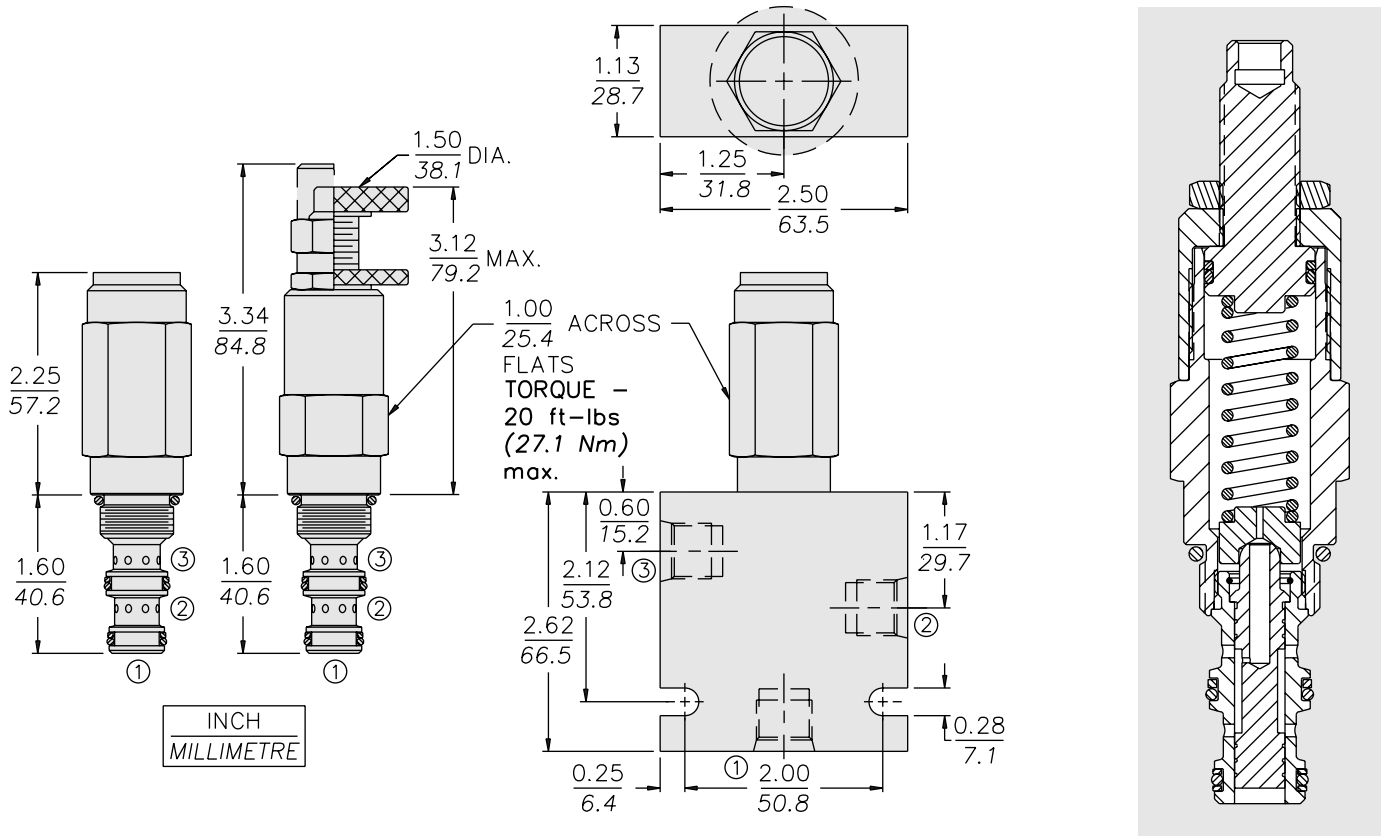
ISO:



PERFORMANCE (Cartridge Only)



DIMENSIONS



MATERIALS

Cartridge: Weight: 0.25 kg. (0.55 lbs.)
Steel with hardened work surfaces.
Zinc-plated exposed surfaces.
Buna N O-rings and back-ups standard; Anodized aluminum knobs.

Standard Ported Body: Weight: 0.27 kg. (0.60 lbs.) Anodized high-strength 6061 T6 aluminum alloy, rated to 207 bar (3000 psi). Ductile iron bodies available; dimensions may differ. See page 8.008.1

TO ORDER

PS08-35 - - - /

<p>Adjustment Option</p> <p>1/4 in. Hex Allen Head A</p> <p>1-1/2 in. Dia. Alum. Knob B</p> <p>Option A w/Cover Cap C</p> <p>Factory Preset Non-Adjst. F</p> <p>Factory Preset Hidden Adjustment (See page 6.003.1) H</p> <p>Option C w/Lockwire Holes L</p>	<p>Porting</p> <p>Cartridge Only 0</p> <p>SAE 4 4T</p> <p>SAE 6 6T</p> <p>3/8 in. BSP* 3B</p>	<p>Seals</p> <p>Buna N (Std.) N</p> <p>Fluorocarbon V</p>	<p>Setting in bar[†]</p> <p>(Blank) for Adjustable, or Specify, for example:</p> <p>M25 25 bar</p> <p>M100 100 bar</p> <p>Setting in psi[†]</p> <p>(Blank) for Adjustable, or Specify, for example:</p> <p>9.0 900 psi</p> <p>23.5 2350 psi</p>	<p>Spring Range</p> <p>3 3.4 to 20.7 bar (50 to 300 psi)</p> <p>6 6.9 to 41.4 bar (100 to 600 psi)</p> <p>13 10.3 to 89.7 bar (150 to 1300 psi)</p> <p>24 20.7 to 165.5 bar (300 to 2400 psi)</p>
---	--	--	---	--

*BSP Body; U.K. Mfr. Only

[†]Adjustable valves will be preset to approx. 50% of spring max. potential.