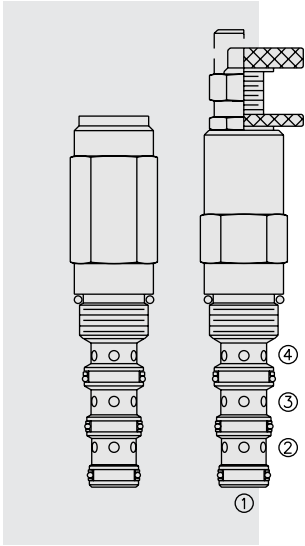


# PS10-40 Sequence, Normally Closed . . .



## DESCRIPTION

A screw-in, cartridge-style, direct-acting, spool-type, hydraulic sequence valve with external pilot and spring chamber drain. It is designed to function as a pressure-signalled, remote pilot-operated, two-way, normally closed valve. A separate spring chamber drain galley allows port ③ or ② to be fully pressurized.

## OPERATION

In neutral (unpiloted), the **PS10-40** blocks flow between ③ and ② bidirectionally. The spring chamber is constantly vented at ④. On attainment of a pre-determined pressure at ①, the cartridge shifts to open ③ to ② bidirectionally.

## FEATURES

- Adjustments cannot be backed out of the valve.
- Adjustments prohibit springs from going solid.
- Optional spring ranges to 151.7 bar (2200 psi).
- Hardened precision spool and cage for long life.
- Industry common cavity.

## RATINGS

**Operating Pressure:** 240 bar (3500 psi)

**Flow:** See Performance Chart

**Internal Leakage:** 82 cc/minute (5 cu. in./minute) max. to 85% of nominal setting

**Spring Ranges:** 2.8 to 27.6 bar (40 to 400 psi); 15.2 to 151.7 bar (220 to 2200 psi)

**Temperature:** -40 to 120°C with standard Buna seals

**Filtration:** See page 9.010.1

**Fluids:** Mineral-based or synthetics with lubricating properties at viscosities of 7.4 to 420 cSt (50 to 2000 sus); See Temperature and Oil Viscosity, page 9.060.1

**Installation:** No restrictions; See page 9.020.1

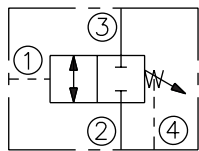
**Cavity:** VC10-4; See page 9.110.1

**Cavity Tool:** CT10-4XX; See page 8.600.1

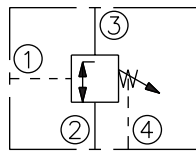
**Seal Kit:** SK10-4X-BMM; See page 8.650.1

## SYMBOLS

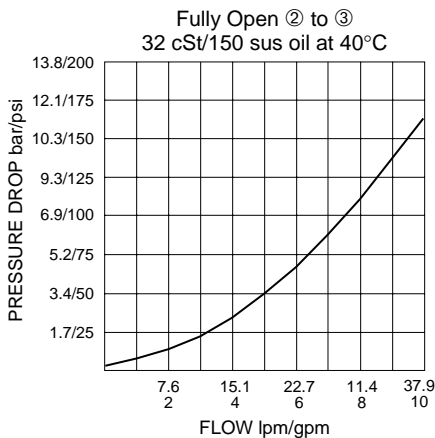
USASI:



ISO:



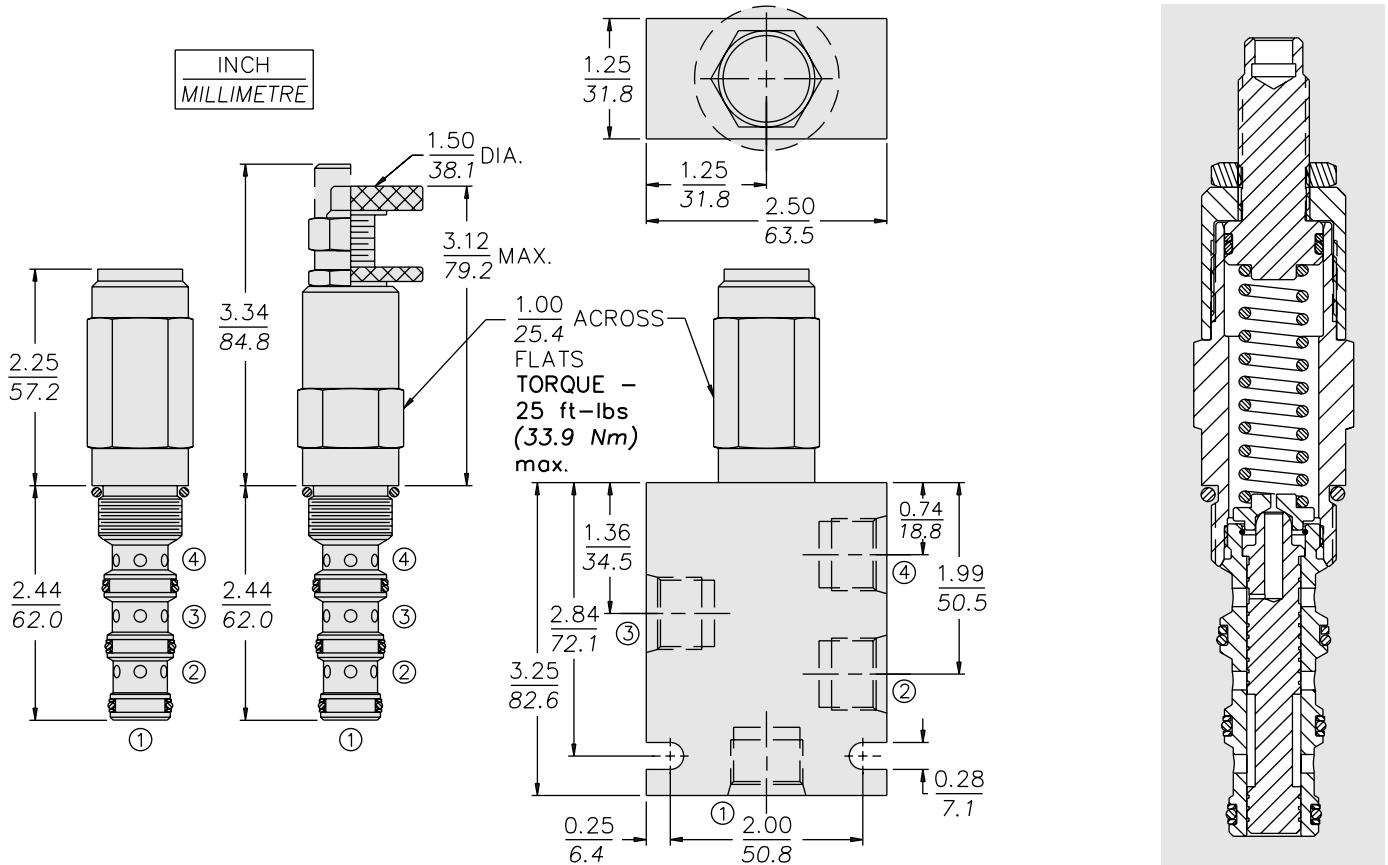
## PERFORMANCE (Cartridge Only)



with External Pilot and Drain

PS10-40

**DIMENSIONS**



**MATERIALS**

**Cartridge:** Weight: 0.34 kg. (0.70 lbs.)  
 Steel with hardened work surfaces.  
 Zinc-plated exposed surfaces.  
 Buna N O-rings and polyester elastomer back-ups standard.  
 Anodized aluminum knobs and caps.

**Standard Ported Body:** Weight: 0.34 kg. (0.70 lbs.) Anodized high-strength 6061 T6 aluminum alloy, rated to 207 bar (3000 psi). Ductile iron bodies available, dimensions may differ. See page 8.010.1

**TO ORDER**

**PS10-40** - - - - /

<b>Adjustment Option</b>					
1/4 in. Hex Allen Head	<b>A</b>				
1-1/2 in. Dia. Alum Knob	<b>B</b>				
Option A w/Cover Cap	<b>C</b>				
Factory Preset Non-Adjst.	<b>F</b>				
Factory Preset					
Hidden Adjustment	<b>H</b>				
Option C w/Lockwire Holes	<b>L</b>				
<b>Porting</b>					
Cartridge Only	<b>0</b>				
SAE 6	<b>6T</b>				
SAE 8	<b>8T</b>				
1/4 in. BSP*	<b>2B</b>				
3/8 in. BSP*	<b>3B</b>				
*BSP Body; U.K. Mfr. Only					
<b>Seals</b>					
Buna N (Std.)	<b>N</b>				
Fluorocarbon	<b>V</b>				
Polyurethane	<b>P</b>				
<b>Setting in bar<sup>†</sup></b>					
(Blank) for Adjustable, or Specify. Example:					
<b>M25</b>					
<b>M100</b>					
<b>Setting in psi<sup>†</sup></b>					
(Blank) for Adjustable, or Specify. Example:					
<b>9.0</b>					
<b>21.0</b>					
<b>Spring Range</b>					
<b>4</b>					
2.8 to 27.6 bar (40 to 400 psi)					
<b>22</b>					
15.2 to 151.7 bar (220 to 2200 psi)					

<sup>†</sup>Adjustable valves will be preset to approx. 50% of spring max. potential.