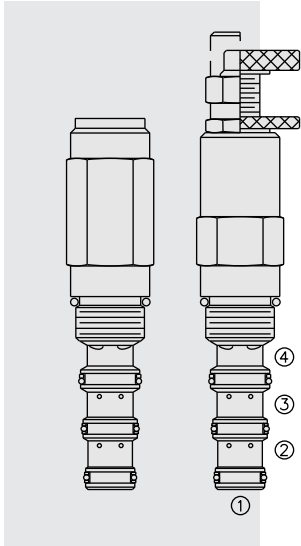


UP10-40 Piloted Unloading Valve



DESCRIPTION

A screw-in, cartridge-style, remote sequence, piloted unloading valve with optional fixed unload/reload pressure ratios of 60%, 70% or 80%, for use in accumulator-type hydraulic systems..

OPERATION

In its steady state, the **UP10-40** blocks flow from ② to ③. On attainment of a pre-determined pressure at ①, the spool shifts to allow flow from ② to ③. The spring chamber is vented to ④.

If pressure at ① drops to a level below the ratio-established reload value, the valve will close, blocking flow from ② to ③.

FEATURES

- Adjustments cannot be backed out of the valve.
- Adjustments prohibit springs from going solid.
- Hardened precision spool and cage for long life.
- Industry common cavity.

RATINGS

Operating Pressure: 206 bar (3000 psi) with standard Buna N seals

Flow: 3.8 lpm (1 gpm); See Performance Chart

Pressure Setting Range: 69 to 207 bar (1000 to 3000 psi)

Loading and Unloading Ratios: 60% ±5%, 70% ±5%, 80% ±5%

Temperature: -40 to 120°C with standard Buna seals

Filtration: See page 9.010.1

Fluids: Mineral-based or synthetics with lubricating properties at viscosities of 7.4 to 420 cSt (50 to 2000 sus); See Temperature and Oil Viscosity, page 9.060.1

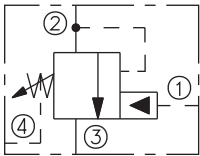
Installation: No restrictions; See page 9.020.1

Cavity: VC10-4; See page 9.110.1

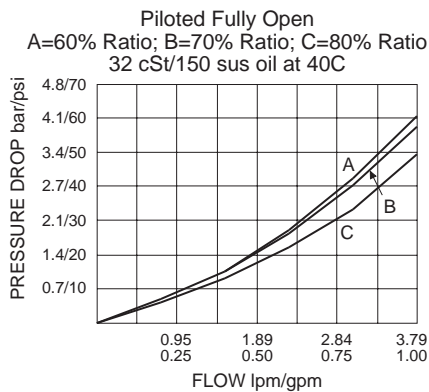
Cavity Tool: CT10-4XX; See page 8.600.1

Seal Kit: SK10-4X-MMM; See page 8.650.1

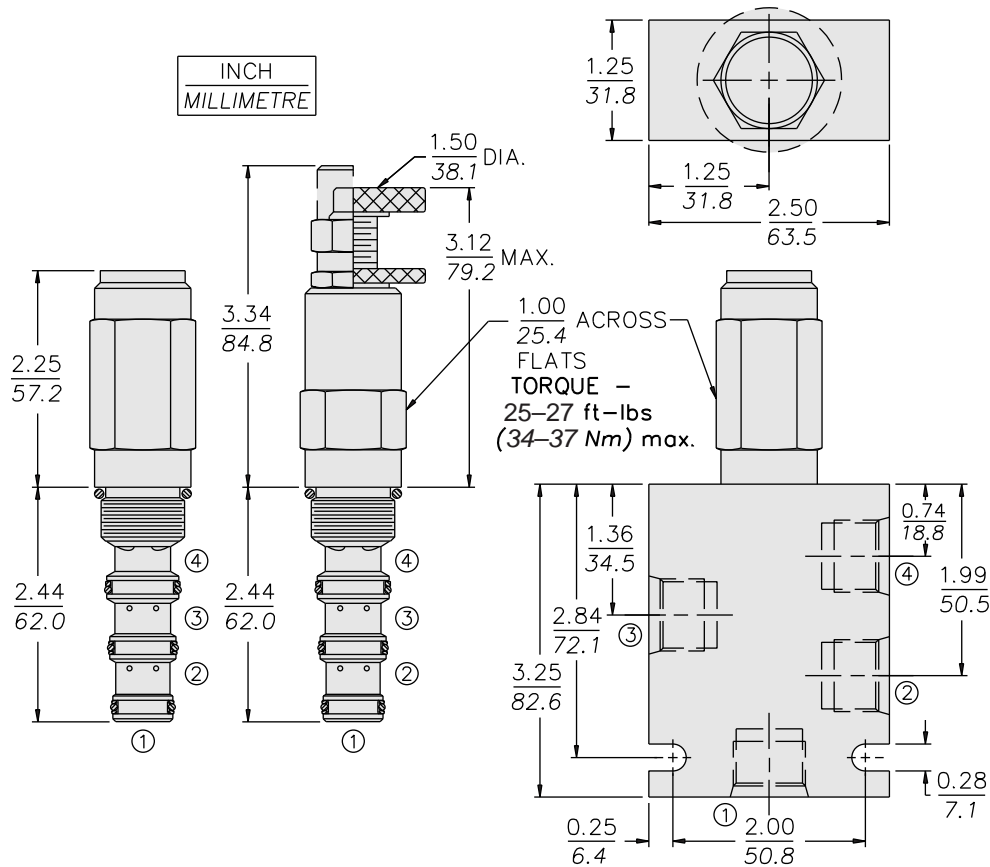
SYMBOL



PERFORMANCE (Cartridge Only)



DIMENSIONS



MATERIALS

Cartridge: Weight: 0.34 kg. (0.70 lbs.)
Steel with hardened work surfaces.
Zinc-plated exposed surfaces.
Buna N O-rings and polyester elastomer back-ups standard.
Anodized aluminum knobs and caps.

Standard Ported Body: Weight: 0.34 kg. (0.70 lbs.) Anodized high-strength 6061 T6 aluminum alloy, rated to 207 bar (3000 psi). Ductile iron bodies available; dimensions may differ. See page 8.010.1

TO ORDER

UP10-40 - - - - - 30 /

Adjustment Option
1/4 in. Hex Allen Head **A**
1-1/2 in. Dia. Alum Knob **B**
Option A w/Cover Cap **C**
Factory Preset Non-Adjst. **F**
Factory Preset Hidden Adjustment **H**
Option C w/Lockwire Holes **L**

Porting
Cartridge Only **0**
SAE 6 **6T**
SAE 8 **8T**
1/4 in. BSP* **2B**
3/8 in. BSP* **3B**

Seals
Buna N (Std.) **N**
Fluorocarbon **V**

Setting in bar[†]
(Blank) for Adjustable, or Specify, for example:
M70 70 bar
M100 100 bar

Setting in psi[†]
(Blank) for Adjustable, or Specify, for example:
10.0 1000 psi
21.0 2100 psi

Pressure Ratio
60 60% Ratio
70 70% Ratio
80 80% Ratio

*BSP Body; U.K. Mfr. Only

[†]Adjustable valves will be preset to approx. 50% of spring max. potential.