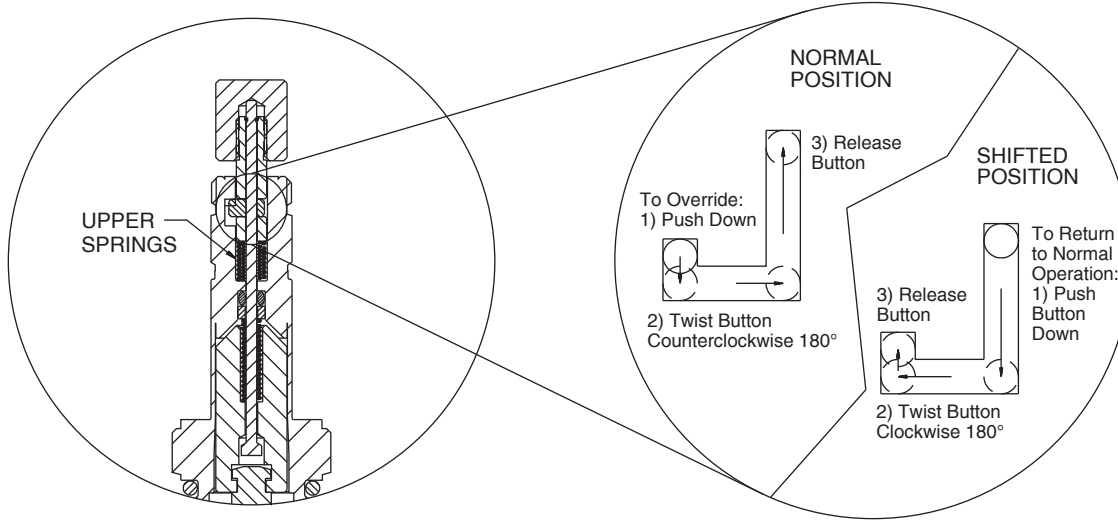


# Manual Override Options

## Manual Override “M” Option for Two-Position Pull-Type Solenoid Valves

Note: This option is not available along with the Waterproofing option.

Note: The manual override feature is intended for emergency use, not for continuous-duty operation.



Exaggerated illustration of operation of Manual Override “M” option

## Manual Override “M” Option for Three-Position Push/Pull-Type Solenoid Valves

Note: The manual override feature is intended for emergency use, not for continuous-duty operation.

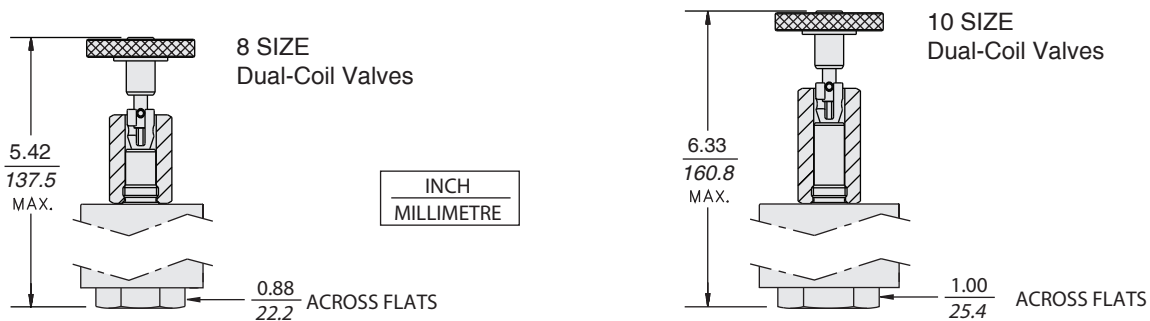
Note: This option is provided with the Waterproofing option.

Note: See individual valve catalog pages for MAX weights of 08 and 10-size valves with the “M”- Manual Override option.



## Manual Override “K” Option for Three-Position Push/Pull-Type Solenoid Valves

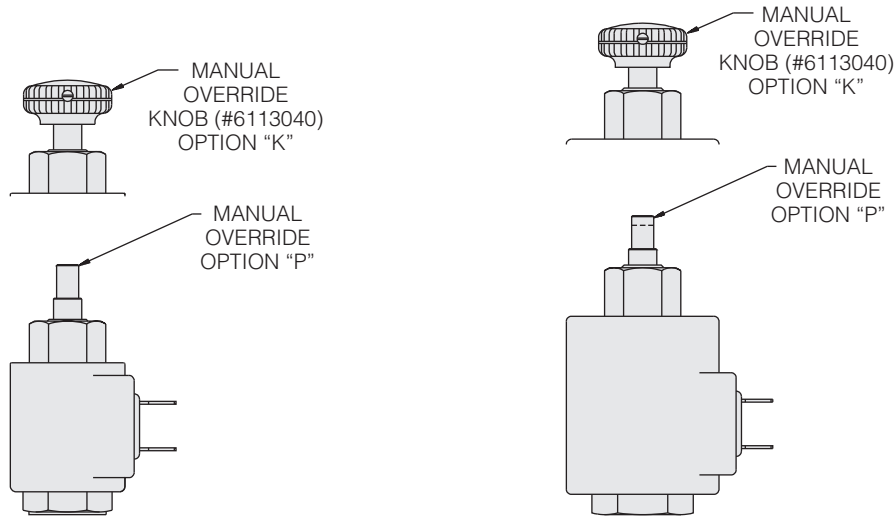
Note: The manual override feature is intended for emergency use, not for continuous-duty operation.



## Manual Override Options

### Manual Override “P” and “K” Options for Two-Position Push-Type Solenoid Valves

Note: The manual override feature is intended for emergency use, not for continuous-duty operation.  
 Note: This option is not available along with the Waterproofing option.



### Manual Override “J” and “Y” Options for Pull-Type Solenoid Valves Sizes: -38 (for -08 cavities), -10, -12, -16

Note: The manual override feature is intended for emergency use, not for continuous-duty operation.

