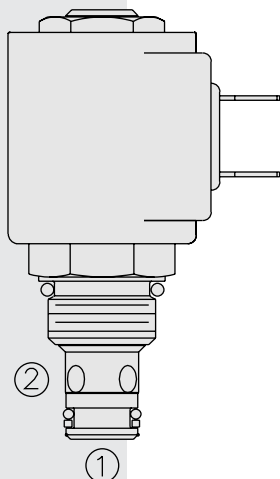
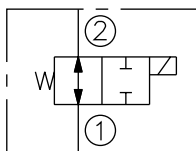


SV08-25 Spool, 2-Way, Normally Open

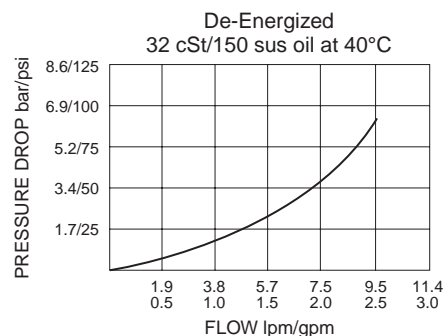


SYMBOLS

USASI/ISO:



PERFORMANCE (Cartridge Only)



DESCRIPTION

A solenoid-operated, two-way, normally open, direct-acting, spool-type, screw-in hydraulic cartridge valve designed to function as a bidirectional blocking valve in low flow circuits.

OPERATION

When de-energized, the **SV08-25** allows flow in both directions.

When energized, the valve's spool shifts to close bidirectionally.

Operation of Manual Override Option: To override, push button in and twist counter-clockwise 180°. The internal spring will push the button out. In this position, the valve may be only partially shifted. To assure full override shift, pull the button out to its fullest extension and hold it in this position.

To return to normal valve function, push button in, twist clockwise 180°, and release. Override will be detented in this position.

FEATURES

- Hardened precision spool and cage for long life.
- Optional coil voltages and terminations.
- Efficient wet-armature construction.
- Both ports may be fully pressurized.
- Cartridges are voltage-interchangeable.
- Manual override option.
- Optional waterproof E-Coils rated up to IP69K.
- Unitized molded coil design.
- Compact size.

RATINGS

Operating Pressure: 207 bar (3000 psi)

Flow: 9.5 lpm (2.5 gpm) max.

Internal Leakage: 82 cc/minute (5 cu. in./minute) max. at 207 bar (3000 psi)

Temperature: -40 to 120°C with standard Buna seals

Coil Duty Rating: Continuous from 85% to 115% of nominal voltage

Initial Coil Current Draw at 20°C: Standard Coil: 1.2 amps at 12 VDC;
0.13 amps at 115 VAC (full wave rectified).

E-Coil: 1.4 amps at 12 VDC; 0.7 amps at 24 VDC

Minimum Pull-in Voltage: 85% of nominal at 207 bar (3000 psi)

Filtration: See page 9.010.1

Fluids: Mineral-based or synthetics with lubricating properties at viscosities of 7.4 to 420 cSt (50 to 2000 sus); See Temperature and Oil Viscosity, page 9.060.1

Installation: No restrictions; See page 9.020.1

Cavity: VC08-2; See page 9.108.1

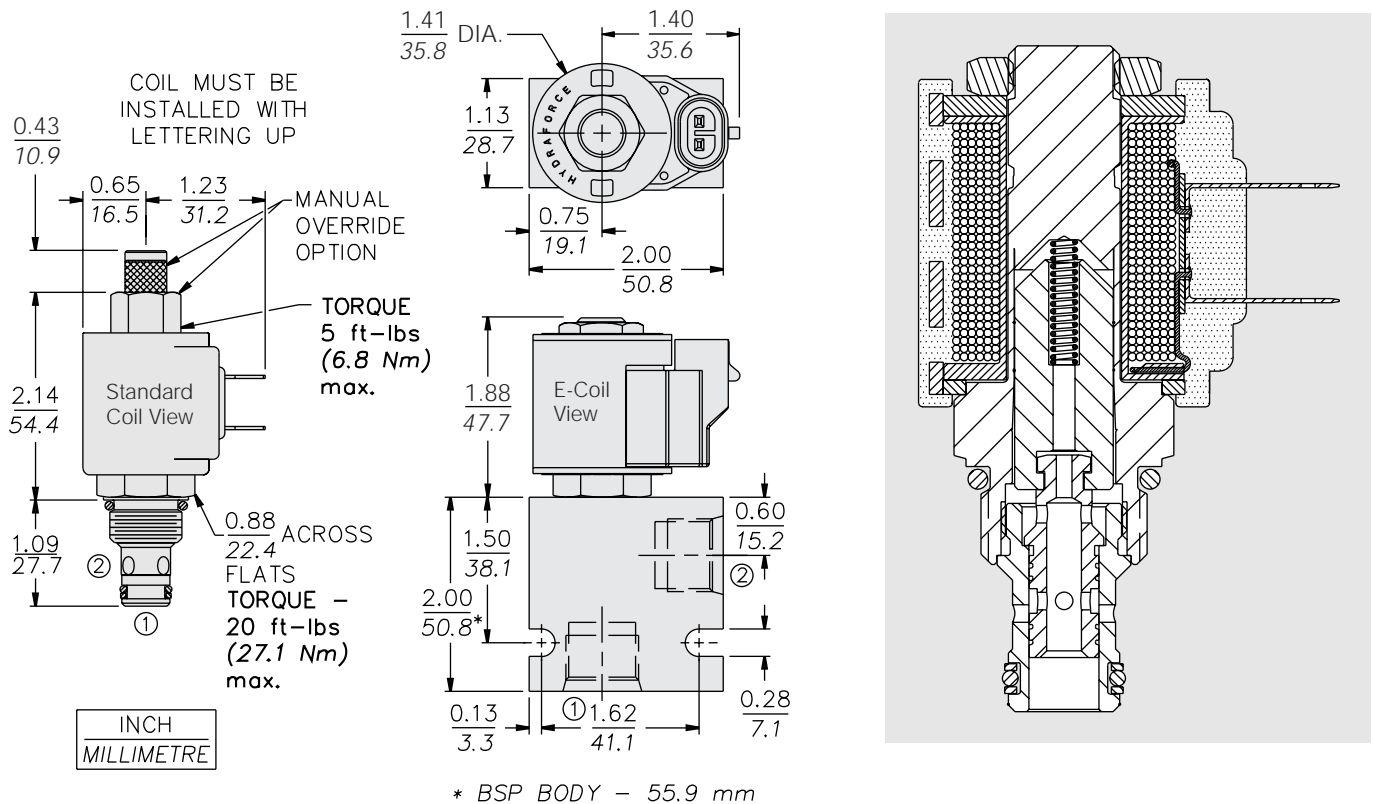
Cavity Tool: CT08-2XX; See page 8.600.1

Seal Kit: SK08-2X-M; See page 8.650.1

Coil Nut: Part No. 7004400;

For E-coils manufactured prior to 1-1-04, see page 3.400.1 for coil nut info.

DIMENSIONS



MATERIALS

Cartridge: Weight: 0.09 kg. (0.20 lbs.); Steel with hardened work surfaces. Zinc-plated exposed surfaces; Buna N O-rings and back-ups standard.

Standard Ported Body: Weight: 0.16 kg. (0.35 lbs.); Anodized high-strength 6061 T6 aluminum alloy, rated to 207 bar (3000 psi); Ductile iron bodies available; dimensions may differ. See page 8.008.1

Standard Coil: Weight: 0.11 kg. (0.25 lbs.); Unitized thermoplastic encapsulated, Class H high temperature magnetwire. See page 3.200.1

E-Coil: Weight: 0.14 kg. (0.3 lbs.); Perfect wound, fully encapsulated with rugged external metal shell; Rated up to IP69K with integral connectors.

Note: See page 3.400.1 for all E-Coil retrofit applications.

TO ORDER

SV08-25			-	-	-	-	-
Option							
None (Blank)							
152µ Screen	S						
Manual Override	M						
Porting							
Cartridge Only	0						
SAE 4	4T						
SAE 6	6T						
1/4 in. BSP*	2B						
3/8 in. BSP*	3B						
1/2 in. BSP*	4B						
*BSP Body; U.K. Mfr. Only							
Seals							
Buna N (Std.)	N						
Fluorocarbon	V						
Voltage							
Std. Coil							
0	Less Coil**						
10	10 VDC [†]						
12	12 VDC						
24	24 VDC						
36	36 VDC						
48	48 VDC						
24	24 VAC						
115	115 VAC						
230	230 VAC						
**Includes Std. Coil Nut							
[†] DS, DW or DL terminations only.							
Termination (VDC) Std. Coil							
DS	Dual Spades						
DG	DIN 43650						
DL	Leadwires (2)						
DL/W	Leads w/Weatherpak [®] Connectors						
DR	Deutsch DT04-2P						
Termination (VAC) Std. Coil							
AG	DIN 43650						
AP	1/2 in. Conduit						
Termination (VDC) E-Coil							
ER	Deutsch DT04-2P (IP69K Rated)						
EY	Metri-Pack [®] 150 (IP69K Rated)						
Coils with internal diode are available. Consult factory.							