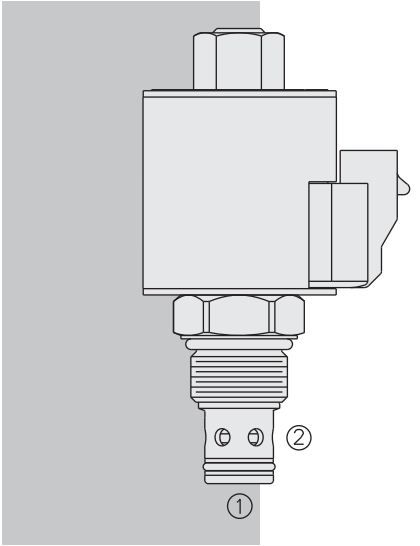


HSV10-25 HyPerformance™ Spool, 2-Way, N.O.



DESCRIPTION

A solenoid-operated, 2-way, normally open, spool-type, screw-in hydraulic cartridge valve, designed to function as a bi-directional blocking valve in high pressure applications.

OPERATION

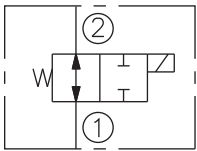
When de-energized, the HSV10-25 allows flow in both directions. When energized, the cartridge's spool shifts to close the bidirectional flow path.

FEATURES

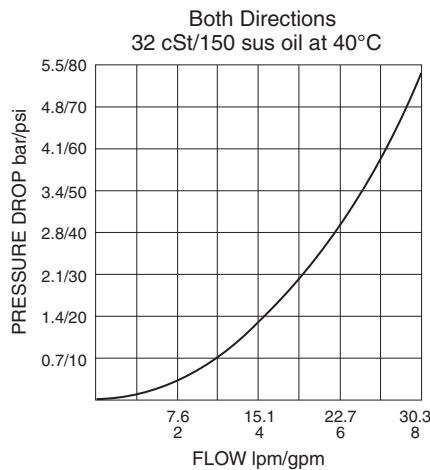
- Continuous-duty rated solenoid.
- Hardened precision spool and cage for long life.
- Optional coil voltages and terminations.
- Both ports may be fully pressurized.
- Efficient wet-armature construction.
- Cartridges are voltage interchangeable.
- Waterproof E-Coils rated up to IP69K.
- 1000-hour salt-spray rated solenoid tubes and coils.
- Unitized, molded coil design.
- All HyPerformance products are tested to the rigorous standards of the NFPA specification T2.6.1.
- All HyPerformance valves are tested at a verification level of 90% and an assurance of 99%.

SYMBOLS

USAS/ISO:



PERFORMANCE (Cartridge Only)



RATINGS

Operating Pressure: 350 bar (5075 psi); 10% Cycle Life: 420 bar (6090 psi)

Note: All HyPerformance products are tested for 900K cycles at 350 bar and 100K cycles at 420 bar.

Burst Pressure: 1380 bar (20,000 psi)

Flow: Up to 30.3 lpm (8 gpm)

Internal Leakage: 2 to 1 Direction: 131 ml/minute (8 cu. in./minute) max. at 350 bar (5075 psi); 1 to 2 Direction: 279 ml/minute (17 cu. in./minute) at 350 bar (5075 psi)

Temperature: -54° to 107°C (-65° to 225°F) with Urethane seals

Coil Duty Rating: Continuous from 85% to 115% of nominal voltage

Response Time: First indication of change of state with 100% voltage supplied at 80% of nominal flow rating: Energized: 40 msec.; De-energized: 32 msec.

Initial Coil Current Draw at 20°C: 1.7 amps at 12 VDC; 0.85 amps at 24 VDC

Minimum Pull-in Voltage: 85% of nominal at 207 bar (3000 psi)

Filtration: See page 9.010.1

Fluids: Mineral-based or synthetics with lubricating properties at viscosities of 7.4 to 420 cSt (50 to 2000 sus); See Temperature and Oil Viscosity, page 9.060.1

Installation: No restrictions; See page 9.020.1

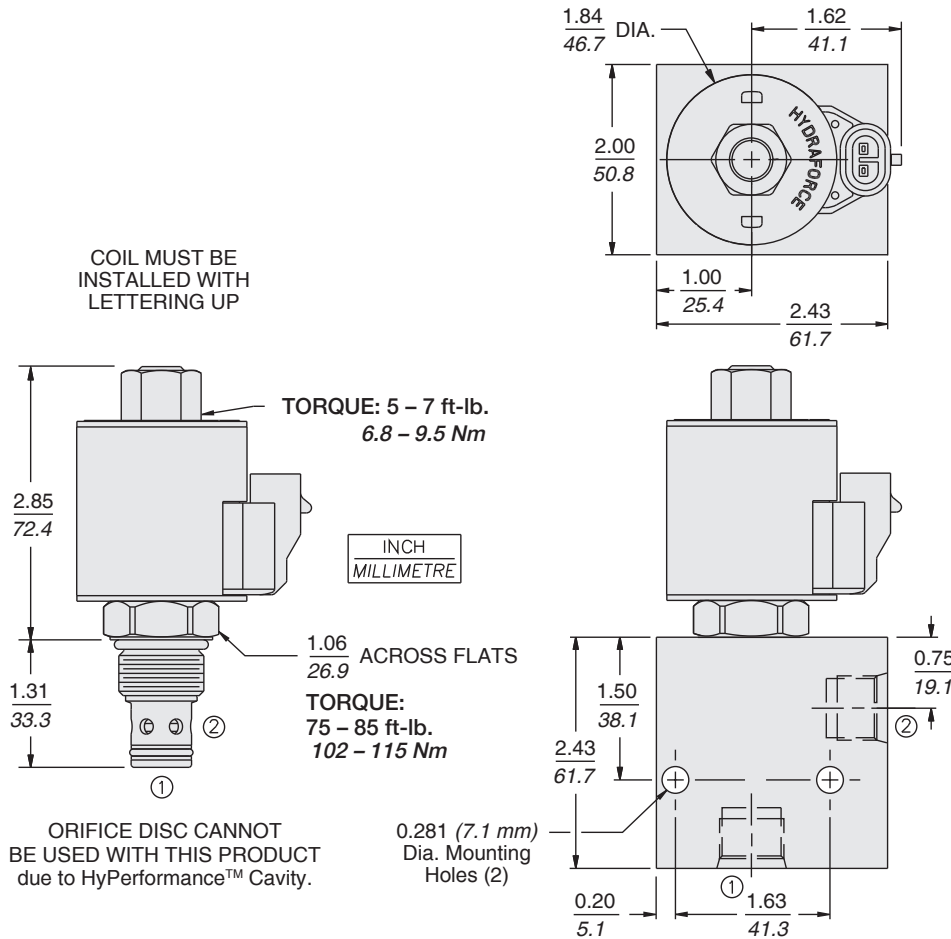
Cavity: HVC10-2; See page 9.110.1

Cavity Tool: HCT10-2xx; See page 8.600.1

Seal Kit: SK10-2U-O; See page 8.650.1

Coil Nut: Part No. 4555250

DIMENSIONS



MATERIALS

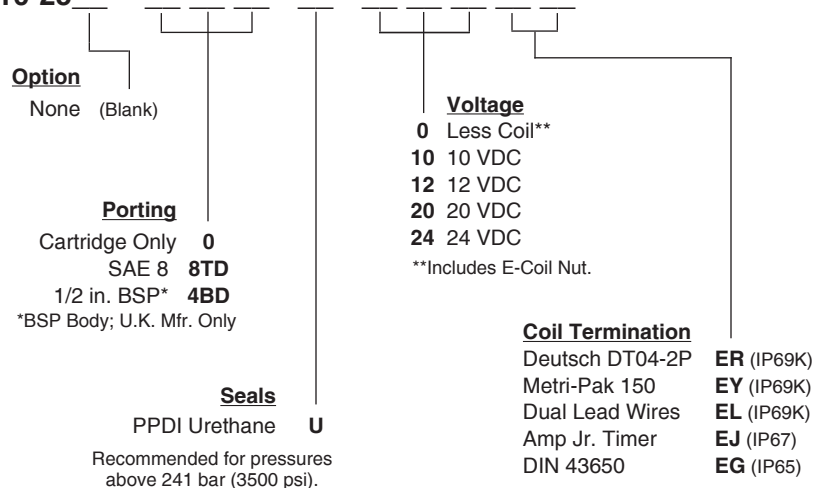
Cartridge: Weight: 0.19 kg. (0.41 lbs.); Steel with hardened work surfaces. Zinc-plated exposed surfaces. Urethane O-rings without back-up standard.

Ported Body: Weight: 1.19 kg. (2.62 lbs.); HyPerformance™ Ductile iron (code 'D') standard. Rated to 345 bar (5000 psi).

E-Coil: Weight: 0.41 kg. (0.9 lbs.); Fully encapsulated with rugged external metal shell. Rated up to IP69K with integral connectors. See page 3.400.1.

TO ORDER

HSV10-25



For Coils with Zener Diode, add "Z" to option code. For example: "ERZ". Not available on all models. See coil option info. on page 3.400.1.