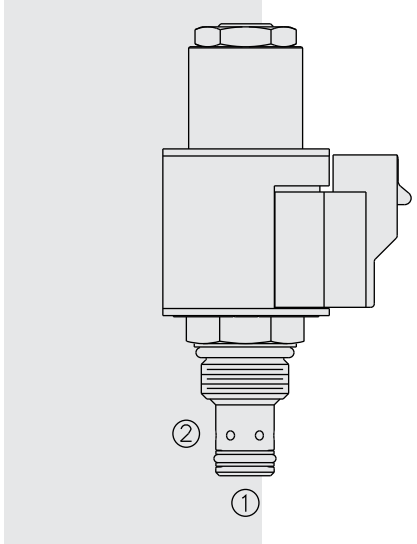
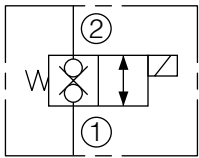


SV08-28 Poppet, 2-Way, N.C., Bi-Directional Blocking

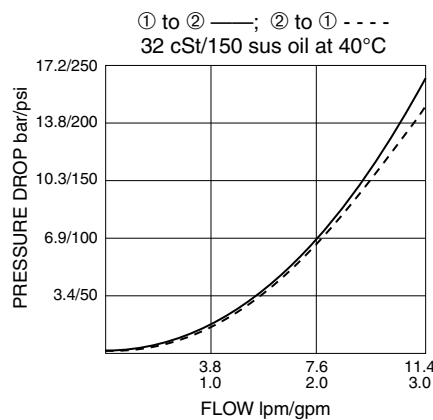


SYMBOL

USAS/ISO:



PERFORMANCE (Cartridge Only)



DESCRIPTION

A solenoid-operated, 2-way, normally closed, direct-acting, poppet-type, bi-directional blocking, screw-in hydraulic cartridge valve, designed for low leakage in load-holding applications.

OPERATION

When de-energized, the **SV08-28** blocks flow in both directions. When energized, the valve's poppet opens on its seat, allowing flow from ② to ① or ① to ②.

Operation of Manual Override Option: To override, push and hold override button.

FEATURES

- Continuous-duty rated coil.
- Optional coil voltages and terminations.
- Cartridges are voltage interchangeable.
- Optional waterproof E-Coils rated up to IP69K.
- Hardened seat for long life and low leakage.
- Manual override option.
- Industry common cavity.

RATINGS

Operating Pressure: 207 bar (3000 psi)

Flow: 11.4 lpm/ 3.0 gpm

Internal Leakage: 5 drops/minute maximum at 207 bar (3000 psi)

Operating Temperature: With Buna N or Polyurethane seals: -25 to 100°C
With Fluorocarbon seals: -15 to 100°C

Coil Duty Rating: Continuous from 85% to 115% of nominal voltage

Response Time: First indication of change of state with 100% voltage supplied at 80% of nominal flow rating: Energized: 50 msec.; De-energized: 16 msec.

Initial Coil Current Draw at 20°C: Standard Coil: 1.2 amps at 12 VDC;
0.13 amps at 115 VAC (full wave rectified).

E-Coil: 1.4 amps at 12 VDC; 0.7 amps at 24 VDC

Minimum Pull-in Voltage: 85% of nominal at 207 bar (3000 psi)

Filtration: See page 9.010.1

Fluids: Mineral-based or synthetics with lubricating properties at viscosities of 7.4 to 420 cSt (50 to 2000 sus); See Temperature and Oil Viscosity, page 9.060.1

Installation: No restrictions; See page 9.020.1

Cavity: VC08-2; See page 9.108.1

Cavity Tool: CT08-2XX; See page 8.600.1

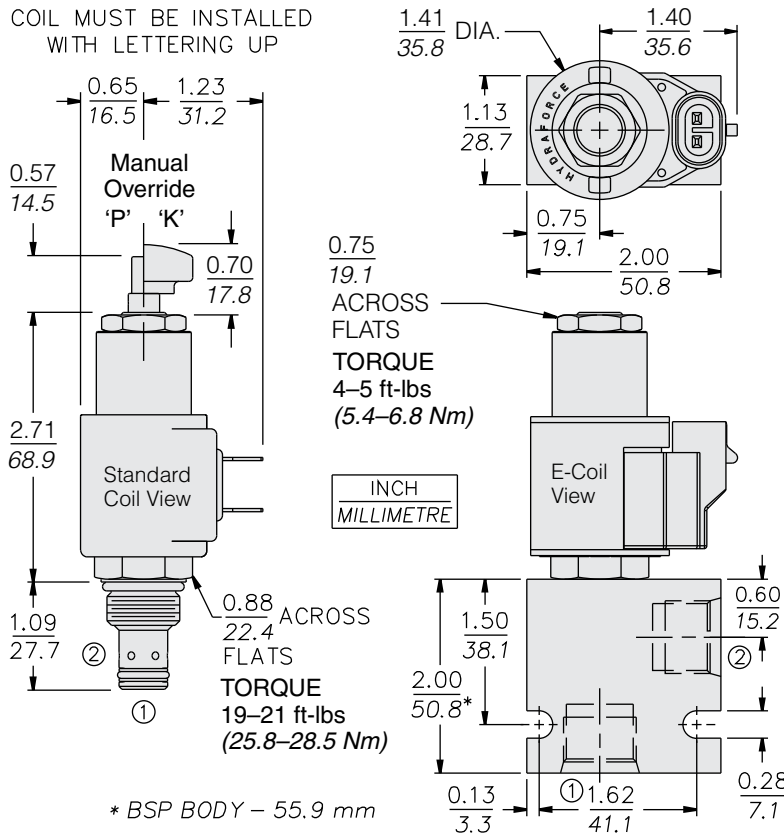
Seal Kit: SK08-2X-M; See page 8.650.1

Coil Nut: Part No. 7004400;

For E-coils manufactured prior to 1-1-04, see page 3.400.1 for coil nut info.

SV08-28

DIMENSIONS



MATERIALS

Cartridge: Weight: 0.18 kg. (0.40 lbs.) Steel with hardened work surfaces. Zinc-plated exposed surfaces. Buna N O-rings and polyester elastomer back-up standard.

Standard Ported Body: Weight: 0.16 kg. (0.35 lbs.) Anodized high-strength 6061 T6 aluminum alloy, rated to 207 bar (3000 psi). Ductile iron bodies available; dimensions may differ. See page 8.008.1

Standard Coil: Weight: 0.11 kg. (0.25 lbs.) Unitized thermoplastic encapsulated, Class H high temperature magnetwire; See page 3.200.1

E-Coil: Weight: 0.14 kg. (0.3 lbs.) Fully encapsulated with rugged external metal shell. Rated up to IP69K with integral connectors. **Note: See page 3.400.1 for all E-Coil retrofit applications.**

TO ORDER

SV08-28

Option		Voltage	Termination (VDC)
None (Blank)		Std. Coil	E-Coil
Manual Override without Knob	P	0 Less Coil**	ER Deutsch DT04-2P, IP69K Rated
Manual Override with Knob	K	10 10 VDC†	EY Metri-Pack® 150, IP69K Rated
		12 12 VDC	EL Leadwires (2), IP69K Rated
		24 24 VDC	EG DIN 43650, IP65 Rated
		36 36 VDC	
		24 24 VAC	
		115 115 VAC	
		230 230 VAC	
Porting		**Includes Std. Coil Nut	Termination (VDC)
Cartridge Only	0	† DS, DW or DL terminations only.	Std. Coil
SAE 4	4T		DS Dual Spades
SAE 6	6T		DG DIN 43650
1/4 in. BSP*	2B		DL Leadwires (2)
3/8 in. BSP*	3B		DL/W Leads w/Weatherpak® Connectors
*BSP Body; U.K. Mfr. Only		E-Coil	DR Deutsch DT04-2P
		10 10 VDC	
Seals		12 12 VDC	Termination (VAC)
Buna N (Std.)	N	20 20 VDC	Std. Coil
Polyurethane	P	24 24 VDC	AG DIN 43650
Fluorocarbon	V		AP 1/2 in. Conduit

Coils with internal diode are available. Consult factory.