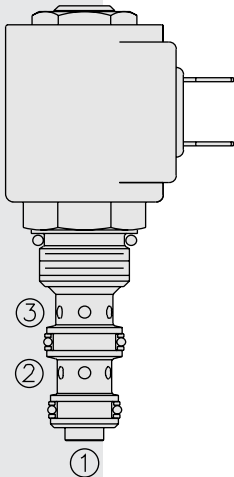


SV08-30 Spool, 3-Way



DESCRIPTION

A solenoid-operated, 3-way, direct-acting, spool-type, screw-in hydraulic directional valve.

OPERATION

When de-energized, the **SV08-30** allows flow from ② to ① while blocking flow at ③. When energized, the cartridge's spool shifts to open from ③ to ②, while blocking flow out ①. While port ① may be fully pressurized, it is not intended to be used as the inlet.

Operation of Manual Override Option: To override, push button in and twist counter-clockwise 180°. The internal spring will push the button out. In this position, the valve may be only partially shifted. To assure full override shift, pull the button out to its fullest extension and hold it in this position.

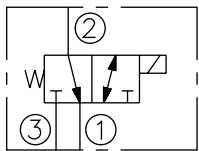
To return to normal valve function, push button in, twist clockwise 180°, and release. Override will be detented in this position.

FEATURES

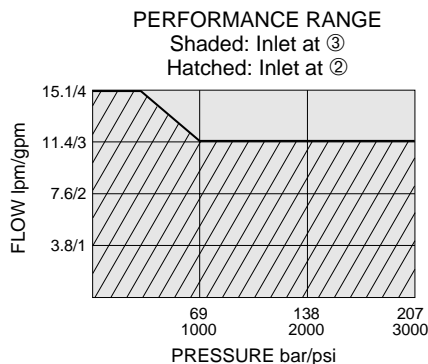
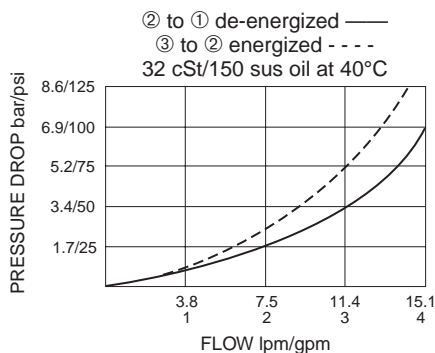
- Continuous-duty rated solenoid.
- Hardened precision spool and cage for long life.
- Optional coil voltages and terminations.
- Efficient wet-armature construction.
- Cartridges are voltage interchangeable.
- All ports may be fully pressurized.
- Manual override option.
- Optional waterproof E-Coils rated up to IP69K.
- Unitized, molded coil design.
- Fully guided spool.
- Compact size.

SYMBOLS

USAS/ISO:



PERFORMANCE (Cartridge Only)



RATINGS

Operating Pressure: 207 bar (3000 psi)

Flow: See Performance Chart

Internal Leakage:

Port ③ (De-energized): 82 cc/minute (5 cu. in./minute) max. at 207 bar (3000 psi);
Port ① (Energized): 164 cc/minute (10 cu. in./minute) max. at 207 bar (3000 psi)

Temperature: -40 to 120°C with standard Buna seals

Coil Duty Rating: Continuous from 85% to 115% of nominal voltage

Response Time: First indication of change of state with 100% voltage supplied at 80% of nominal flow rating: Energized: 22 msec.; De-energized: 12 msec.

Initial Coil Current Draw at 20°C: Standard Coil: 1.2 amps at 12 VDC;
0.13 amps at 115 VAC (full wave rectified);
E-Coil: 1.4 amps at 12 VDC; 0.7 amps at 24 VDC

Minimum Pull-in Voltage: 85% of nominal at 207 bar (3000 psi)

Filtration: See page 9.010.1

Fluids: Mineral-based or synthetics with lubricating properties at viscosities of 7.4 to 420 cSt (50 to 2000 sus); See Temperature and Oil Viscosity, page 9.060.1

Installation: See Note on Dimension Drawing

Cavity: VC08-3, Variation "A"; See page 9.108.1

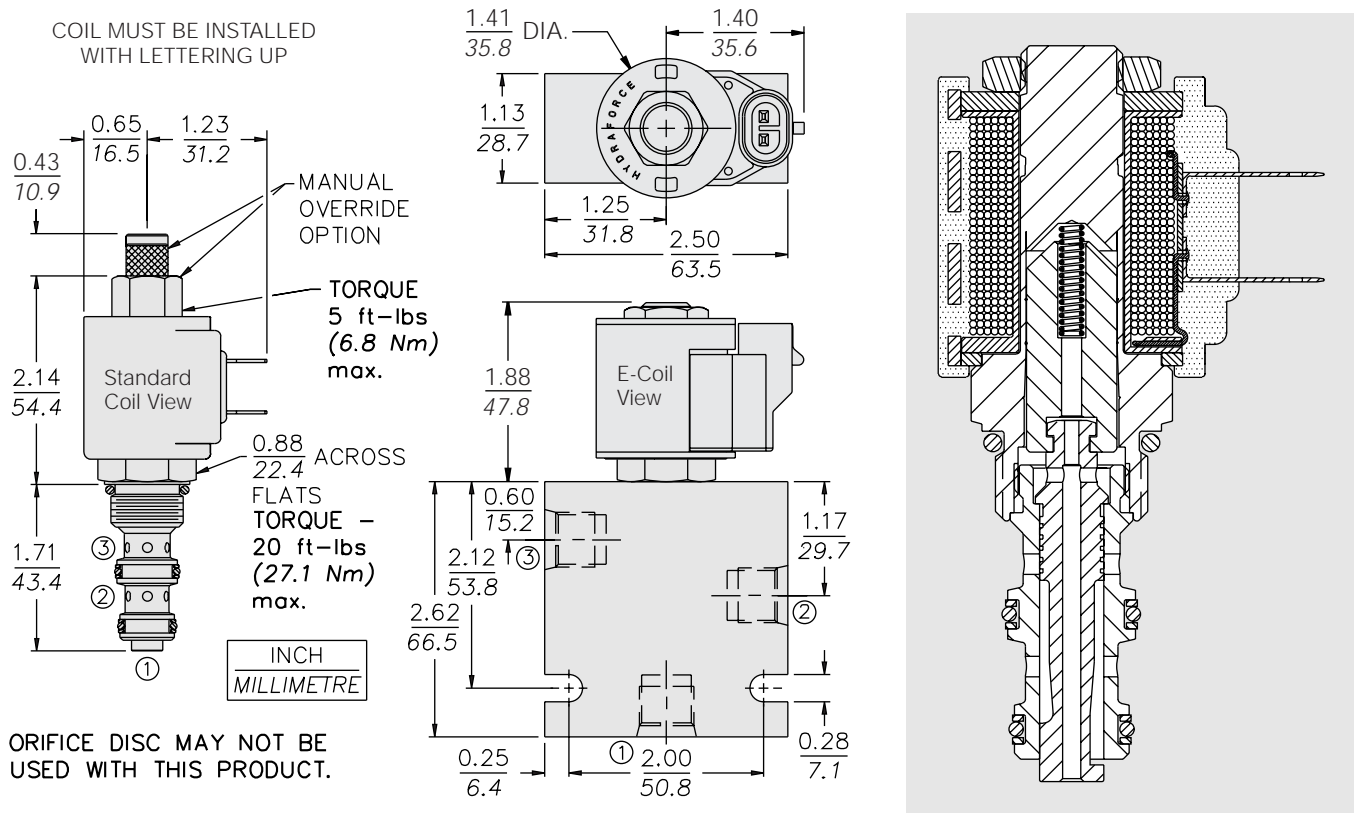
Cavity Tool: CT08-3XX; See page 8.600.1

Seal Kit: SK08-3X-MM; See page 8.650.1

Coil Nut: Part No. 7004400;

For E-coils manufactured prior to 1-1-04, see page 3.400.1 for coil nut info.

DIMENSIONS



MATERIALS

Cartridge: Weight: 0.13 kg. (0.28 lbs.); Steel with hardened work surfaces. Zinc-plated exposed surfaces; Buna N O-rings and back-ups standard.

Standard Ported Body: Weight: 0.27 kg. (0.60 lbs.); Anodized high-strength 6061 T6 aluminum alloy, rated to 207 bar (3000 psi); Ductile iron bodies available; dimensions may differ. See page 8.008.1.

Standard Coil: Weight: 0.11 kg. (0.25 lbs.); Unitized thermoplastic encapsulated, Class H high temperature magnetwire. See page 3.200.1.

E-Coil: Weight: 0.14 kg. (0.3 lbs.); Perfect wound, fully encapsulated with rugged external metal shell; Rated up to IP69K with integral connectors.

See page 3.400.1 for all E-Coil retrofit applications.

TO ORDER

SV08-30		-	-	-	-	-	-
Option		Voltage		Termination (VDC)		Termination (VDC)	
None (Blank)		Std. Coil		Std. Coil		Std. Coil	
Manual Override M		0 Less Coil**		DS Dual Spades		DS Dual Spades	
For Manual Override options see page 1.001.1		10 10 VDC†		DG DIN 43650		DG DIN 43650	
		12 12 VDC		DL Leadwires (2)		DL Leadwires (2)	
		24 24 VDC		DL/W Leads w/Weatherpak® Connectors		DL/W Leads w/Weatherpak® Connectors	
		36 36 VDC		DR Deutsch DT04-2P		DR Deutsch DT04-2P	
		48 48 VDC		Termination (VAC)		Termination (VAC)	
Porting		24 24 VAC		Std. Coil		Std. Coil	
Cartridge Only	0	115 115 VAC		AG DIN 43650		AG DIN 43650	
SAE 6	6T	230 230 VAC		AP 1/2 in. Conduit		AP 1/2 in. Conduit	
1/4 in. BSP*	2B			Termination (VDC)		Termination (VDC)	
*BSP Body; U.K. Mfr. Only				E-Coil		E-Coil	
		E-Coil		ER Deutsch DT04-2P (IP69K Rated)		ER Deutsch DT04-2P (IP69K Rated)	
Seals		10 10 VDC		EY Metri-Pack® 150 (IP69K Rated)		EY Metri-Pack® 150 (IP69K Rated)	
Buna N (Std.)	N	12 12 VDC					
Fluorocarbon	V	20 20 VDC					
		24 24 VDC					

Coils with internal diode are available. Consult factory.