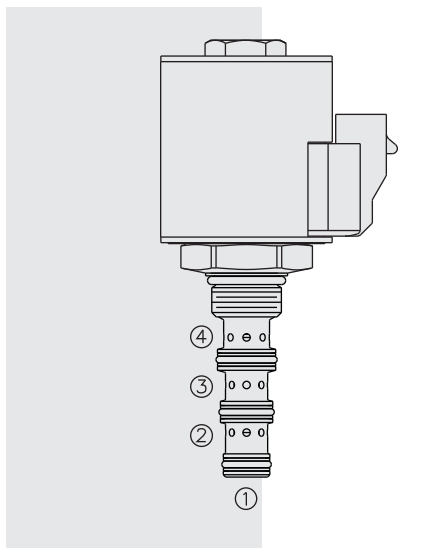


SV58-40 Spool, 4-Way, 2-Position, High Pressure



DESCRIPTION

A solenoid-operated, 4-way, 2-position, direct-acting spool-type, screw-in hydraulic cartridge valve designed for high pressure operation up to 345 bar (5000 psi).

OPERATION

When de-energized, the **SV58-40** flow paths are ③ to ②, and ④ to ①.

When energized, the valve's spool shifts to open ③ to ④, and ② to ①.

All ports are open at cross-over.

Note: Port ① must be connected to tank. Valve cannot withstand more than 276 bar (4000 psi) at the inlet of port ①.

FEATURES

- Continuous-duty rated solenoid.
- Hardened precision spool and cage for long life.
- Optional coil voltages and terminations.
- Efficient wet-armature construction.
- Cartridges are voltage-interchangeable.
- Optional waterproof E-Coils rated up to IP69K.
- Unitized, molded coil design.
- Compact size.

RATINGS

Operating Pressure: 345 bar (5000 psi)

Flow: See Performance Chart

Internal Leakage: 180 ml/minute (11 cu. in./minute) max. at 345 bar (5000 psi)

Temperature: -40 to 120°C with standard Buna seals;
-26 to 204°C with Fluorocarbon seals; -54 to 107°C with Polyurethane seals

Coil Duty Rating: Continuous from 85% to 115% of nominal voltage

Initial Coil Current Draw at 20°C: Standard Coil: 1.67 amps at 12 VDC;

0.18 amps at 115 VAC (full wave rectified).

E-Coil: 1.7 amps at 12 VDC; 0.85 amps at 24 VDC

Minimum Pull-in Voltage: 85% of nominal at 207 bar (3000 psi)

Filtration: See page 9.010.1

Fluids: Mineral-based or synthetics with lubricating properties at viscosities of 7.4 to 420 cSt (50 to 2000 sus); See Temperature and Oil Viscosity, page 9.060.1

Installation: No restrictions; See page 9.020.1

Cavity: VC08-4; See page 9.108.1

Cavity Tool: CT08-4XX; See page 8.600.1

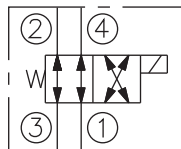
Seal Kit: SK58-4X-MMM; See page 8.650.1

Coil Nut: Part No. 7004400;

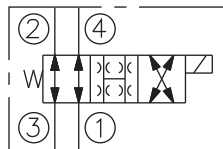
For E-coils manufactured prior to 1-1-04, see page 3.400.1 for coil nut info.

SYMBOLS

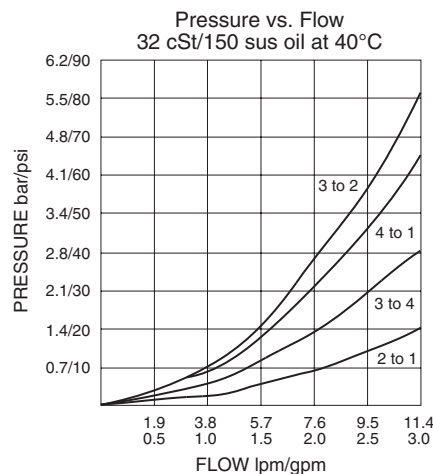
USASI/ISO:



TRANSITION:



PERFORMANCE (Cartridge Only)



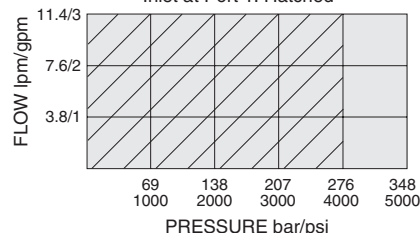
Operating Limits

Based on: Pull-In current of 85% of nominal

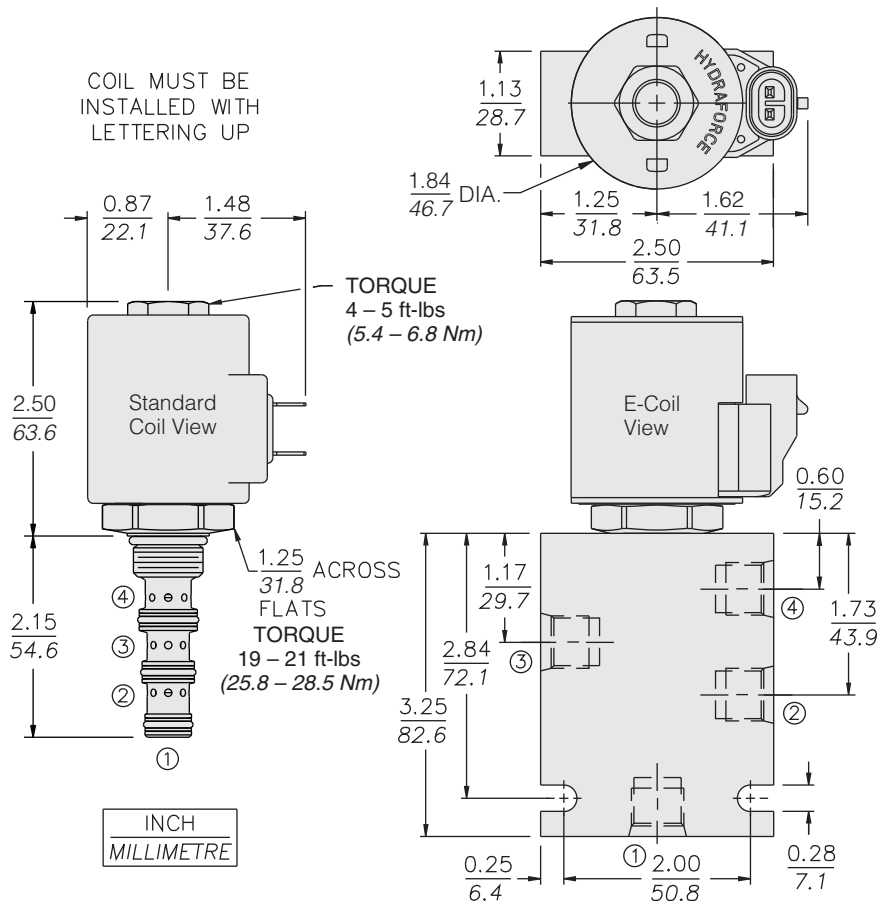
Drop-Out Current of 5% of nominal

Inlet at Port 3: Shaded

Inlet at Port 1: Hatched



DIMENSIONS



MATERIALS

Cartridge: Weight: 0.19 kg. (0.43 lbs.); Steel with hardened work surfaces. Zinc-plated exposed surfaces; Buna N O-rings and back-ups standard.

Standard Ported Body: Weight: 0.27 kg. (0.60 lbs.); Anodized high-strength 6061 T6 aluminum alloy, rated to 207 bar (3000 psi); Ductile iron bodies available; dimensions may differ. See page 8.008.1.

Standard Coil: Weight: 0.27 kg. (0.60 lbs.); Unitized thermo-plastic encapsulated, Class H high temperature magnetwire. See page 3.200.1.

E-Coil: Weight: 0.41 kg. (0.9 lbs.); Fully encapsulated with rugged external metal shell. Rated up to IP69K with integral connectors. **See page 3.400.1 for all E-Coil retrofit applications.**

TO ORDER

SV58-40		Option		Termination (VDC)	
	None (Blank)		Voltage		Std. D-Coil
			Std. Coil		DS Dual Spades
			0 Less Coil**		DG DIN 43650
			10 10 VDC†		DL Leadwires (2)
			12 12 VDC		DL/W Leads w/Weatherpak® Connectors
			24 24 VDC		DR Deutsch DT04-2P
			36 36 VDC		Termination (VAC)
			48 48 VDC		Std. D-Coil
			24 24 VAC		AG DIN 43650
			115 115 VAC		AP 1/2 in. Conduit
			230 230 VAC		Termination (VDC)
			**Includes Std. Coil Nut		E-Coil
			† DS, DG or DL terminations only.		EG DIN 43650 – IP65/IP67
					EJ Amp Junior Timer – IP69K
					EL Leadwires (2) – IP69K
					ER Deutsch DT04-2P – IP69K
					EY Metri-Pack® 150 – IP69K
					Coils with internal diode are available. Consult factory.

Note: This is an 08-size valve which fits an 08-size cavity, but uses a 10-size coil.