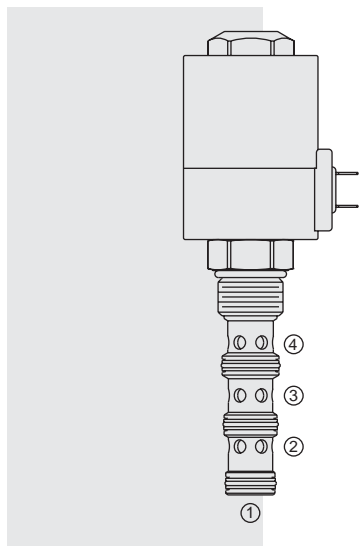


SV12-41 Spool, 2-Position, 4-Way



DESCRIPTION

A solenoid-operated, two-position, four-way, direct-acting spool-type, screw-in hydraulic cartridge valve, intended as a bidirectional blocking valve.

OPERATION

When de-energized, the **SV12-41** blocks flow at all ports. When energized, the spool shifts to allow flow from ③ to ④, and from ② to ①.

Note: Consult factory for applications where port ① will be used as an inlet.

FEATURES

- Continuous-duty rated solenoid.
- Hardened spool and cage for long life.
- Optional coil voltages and terminations.
- Manual override optional.
- All ports may be fully pressurized.
- Heavy-duty waterproof E-Coils rated up to IP69K.

RATINGS

Operating Pressure: 240 bar (3500 psi) max.

Flow: See Performance Chart

Leakage: 410 cc/minute (25 cu. in./minute) at 240 bar (3500 psi)

Temperature: -40 to 120°C with Buna N seals

Coil Duty Rating: See Chart

Response Time: Pull-In: 100 msec; Drop-Out: 100 msec

Initial Coil Current Draw at 20°C: 2.8 amps at 12 VDC

Filtration: See page 9.010.1

Fluids: Mineral-based or synthetics with lubricating properties at viscosities of 7.4 to 420 cSt (50 to 2000 sus); See Temperature and Oil Viscosity, page 9.060.1

Installation: No restrictions; See page 9.020.1

Cavity: VC12-4; See page 9.112.1

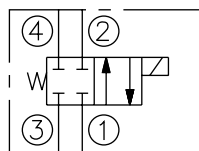
Cavity Tool: CT12-4XX; See page 8.600.1

Seal Kit: SK12-4X-MMM; See page 8.650.1

E-Coil Nut: Part No. 7085180

SYMBOLS

USAS/ISO:



PERFORMANCE (Cartridge Only)

