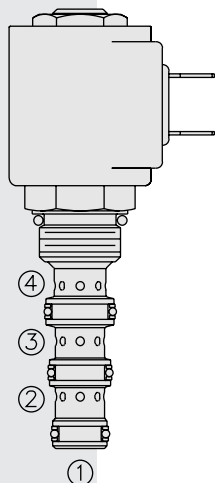
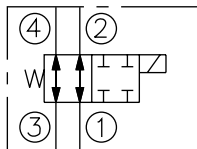


SV08-42 Spool, 4-Way, 2-Position

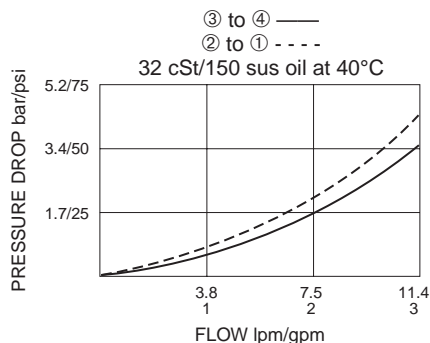


SYMBOLS

USASI/ISO:



PERFORMANCE (Cartridge Only)



DESCRIPTION

A solenoid-operated, 4-way, 2-position, direct-acting, spool-type, screw-in hydraulic cartridge valve.

OPERATION

When de-energized, the **SV08-42** directs flow from ③ to ④, and from ② to ①.

When energized, the spool shifts to block flow at all ports.

Operation of Manual Override Option: To override, push button in and twist counterclockwise 180°. The internal spring will push the button out. In this position the valve may be only partially shifted. To assure full override shift, pull the button out to its fullest extension and hold it in this position.

To return to normal valve function, push button in, twist clockwise 180° and release. Override will be detented in this position.

FEATURES

- Continuous-duty rated solenoid.
- Hardened precision spool and cage for long life.
- Optional coil voltages and terminations.
- Efficient wet-armature construction.
- All ports may be fully pressurized.
- Cartridges are voltage interchangeable.
- Manual override option.
- Optional waterproof E-Coils rated up to IP69K.
- Unitized, molded coil design.
- Compact size.

RATINGS

Operating Pressure: 207 bar (3000 psi)

Flow: See Performance Chart

Internal Leakage: 82 cc/minute (5 cu. in./minute) max. at 207 bar (3000 psi)

Temperature: -40 to 120°C with standard Buna seals

Coil Duty Rating: Continuous from 85% to 115% of nominal voltage

Initial Coil Current Draw at 20°C: Standard Coil: 1.2 amps at 12 VDC;
0.13 amps at 115 VAC (full wave rectified).

E-Coil: 1.4 amps at 12 VDC; 0.7 amps at 24 VDC

Minimum Pull-in Voltage: 85% of nominal at 207 bar (3000 psi)

Filtration: See page 9.010.1

Fluids: Mineral-based or synthetics with lubricating properties at viscosities of 7.4 to 420 cSt (50 to 2000 sus); See Temperature and Oil Viscosity, page 9.060.1

Installation: No restrictions; See page 9.020.1

Cavity: VC08-4; See page 9.108.1

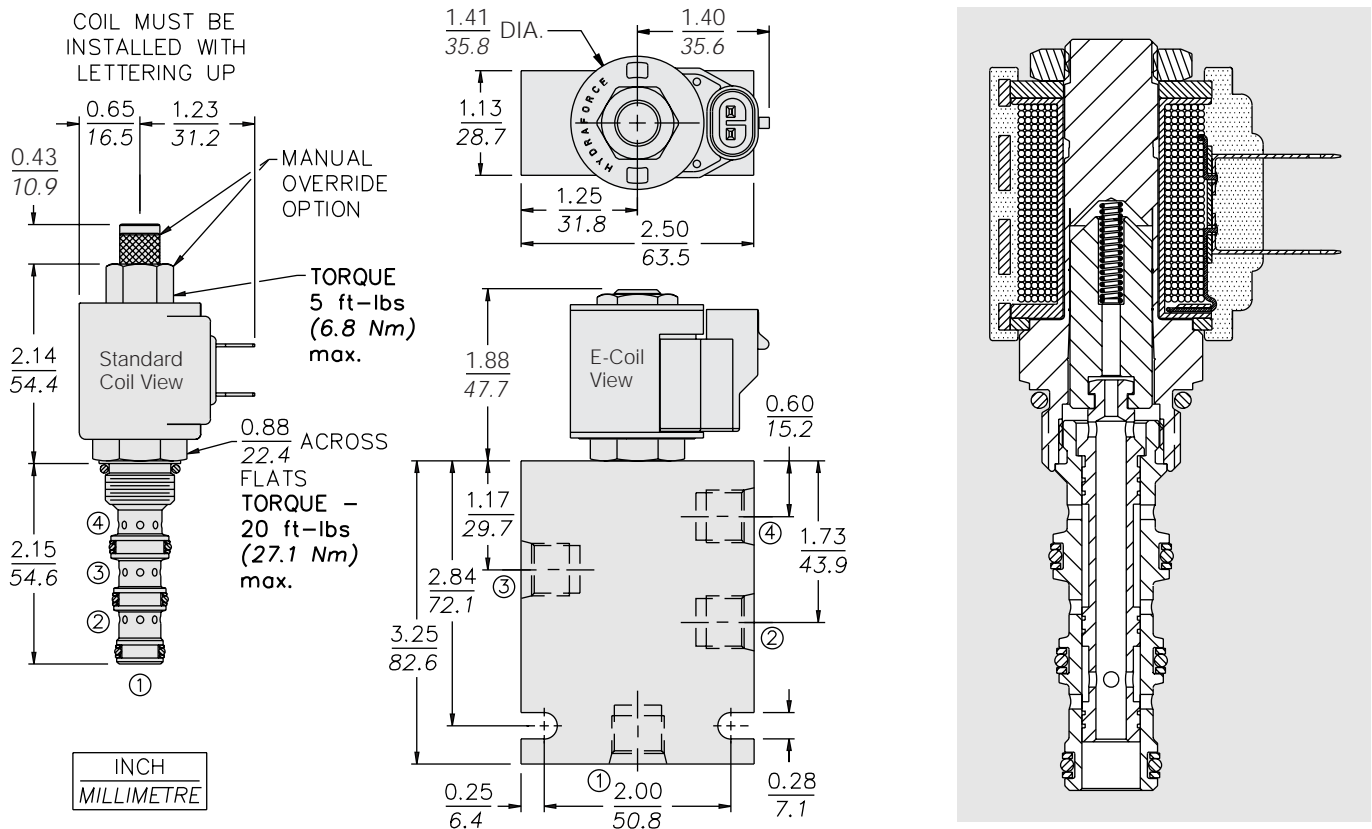
Cavity Tool: CT08-4XX; See page 8.600.1

Seal Kit: SK08-4X-MMM; See page 8.650.1

Coil Nut: Part No. 7004400;

For E-coils manufactured prior to 1-1-04, see page 3.400.1 for coil nut info.

DIMENSIONS



MATERIALS

Cartridge: Weight: 0.13 kg. (0.28 lbs.); Steel with hardened work surfaces. Zinc-plated exposed surfaces; Buna N O-rings and back-ups standard.

Standard Ported Body: Weight: 0.27 kg. (0.60 lbs.); Anodized high-strength 6061 T6 aluminum alloy, rated to 207 bar (3000 psi); Ductile iron bodies available; dimensions may differ. See page 8.008.1.

Standard Coil: Weight: 0.11 kg. (0.25 lbs.); Unitized thermoplastic encapsulated, Class H high temperature magnetwire. See page 3.200.1.

E-Coil: Weight: 0.14 kg. (0.3 lbs.); Perfect wound, fully encapsulated with rugged external metal shell; Rated up to IP69K with integral connectors.

See page 3.400.1 for all E-Coil retrofit applications.

TO ORDER

SV08-42		-	-	-	-	-
Option		Voltage		Termination (VDC)		
None (Blank)		Std. Coil		Std. Coil		
Manual Override M		0 Less Coil**		DS Dual Spades		
For Manual Override options see page 1.001.1		10 10 VDC†		DG DIN 43650		
		12 12 VDC		DL Leadwires (2)		
		24 24 VDC		DL/W Leads w/Weatherpak® Connectors		
		36 36 VDC		DR Deutsch DT04-2P		
Porting		48 48 VDC		Termination (VAC)		
Cartridge Only	0	24 24 VAC		Std. Coil		
SAE 6	6T	115 115 VAC		AG DIN 43650		
1/4 in. BSP*	2B	230 230 VAC		AP 1/2 in. Conduit		
3/8 in. BSP*	3B			Termination (VDC)		
*BSP Body; U.K. Mfr. Only				E-Coil		
		E-Coil		ER Deutsch DT04-2P (IP69K Rated)		
Seals		10 10 VDC		EY Metri-Pack® 150 (IP69K Rated)		
Buna N (Std.)	N	12 12 VDC				
Fluorocarbon	V	20 20 VDC				
		24 24 VDC				

**Includes Std. Coil Nut
† DS, DW or DL terminations only.

Coils with internal diode are available. Consult factory.