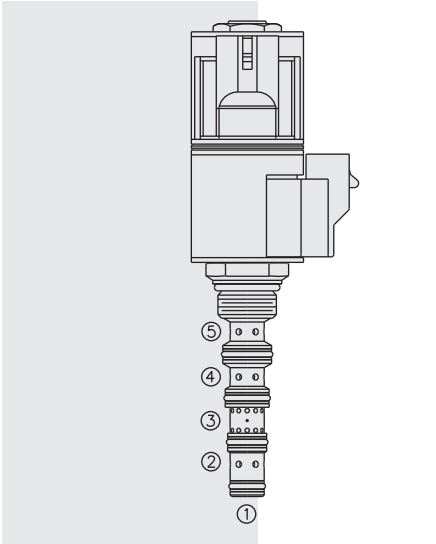


SV08-58C Spool, 5-Way, 3-Position . . .



DESCRIPTION

A solenoid-operated, five-way, three-position, direct acting, screw-in hydraulic cartridge valve with integral load-sense port.

OPERATION

When de-energized, the **SV08-58C** blocks flow between all work ports and load sense at port ① is vented to ③. When coil #1 is energized, flow is allowed from ⑤ to ② and from ④ to ③. When coil #2 is energized, flow is allowed from ⑤ to ④ and from ② to ③. Load sense at port ① is connected to port ⑤ when spool is in the shifted positions.

FEATURES

- Continuous-duty rated solenoid.
- Hardened precision spool and cage for long life.
- Optional coil voltages and terminations.
- Optional waterproof E-Coils rated up to IP69K.
- Compact size.
- Efficient wet-armature construction.
- Cartridges are voltage interchangeable.
- Unitized, molded coil design.

RATINGS

Operating Pressure: 241 bar (3500 psi)

Proof Pressure: 345 bar (5000 psi)

Flow: 13.3 lpm (3.5 gpm) maximum; see performance chart

Internal Leakage: 197 cc/minute (12 cu. in./minute) max. at 207 bar (3000 psi)

Temperature: -40 to 120°C with standard Buna seals

Coil Duty Rating: Continuous from 85% to 115% of nominal voltage

Initial Coil Current Draw at 20° C: Standard Coil: 1.2 amps at 12 VDC;

0.13 amps at 115 VAC (full wave rectified).

E-Coil: 1.4 amps at 12 VDC; 0.7 amps at 24 VDC

Minimum Pull-in Voltage: 85% of nominal at 207 bar (3000 psi)

Filtration: See page 9.010.1

Fluids: Mineral-based or synthetics with lubricating properties at viscosities of

7.4 to 420 cSt (50 to 2000 sus); See Temperature and Oil Viscosity, page 9.060.1

Installation: No restrictions; See page 9.020.1

Cavity: VC08-5; See page 9.108.1

Cavity Tool: CT08-5XX; See page 8.600.1

Seal Kit: SK08-5X-MMM; See page 8.650.1

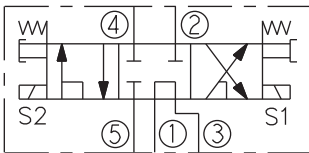
Coil Nut: Part No. 7004400

Coil Spacer: Part No. 4534720

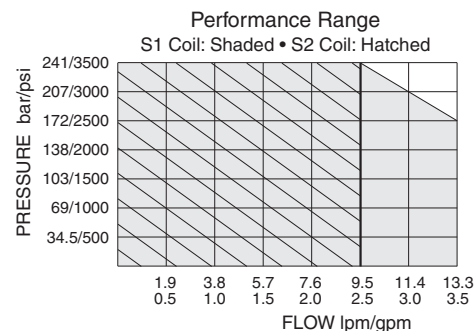
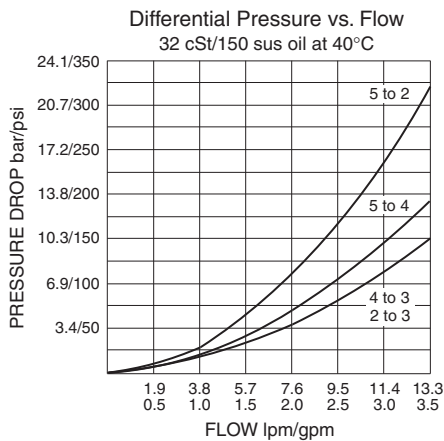
For E-coils manufactured prior to 1-1-04, see page 3.400.1 for coil nut & spacer info.

SYMBOLS

USAS/ISO:



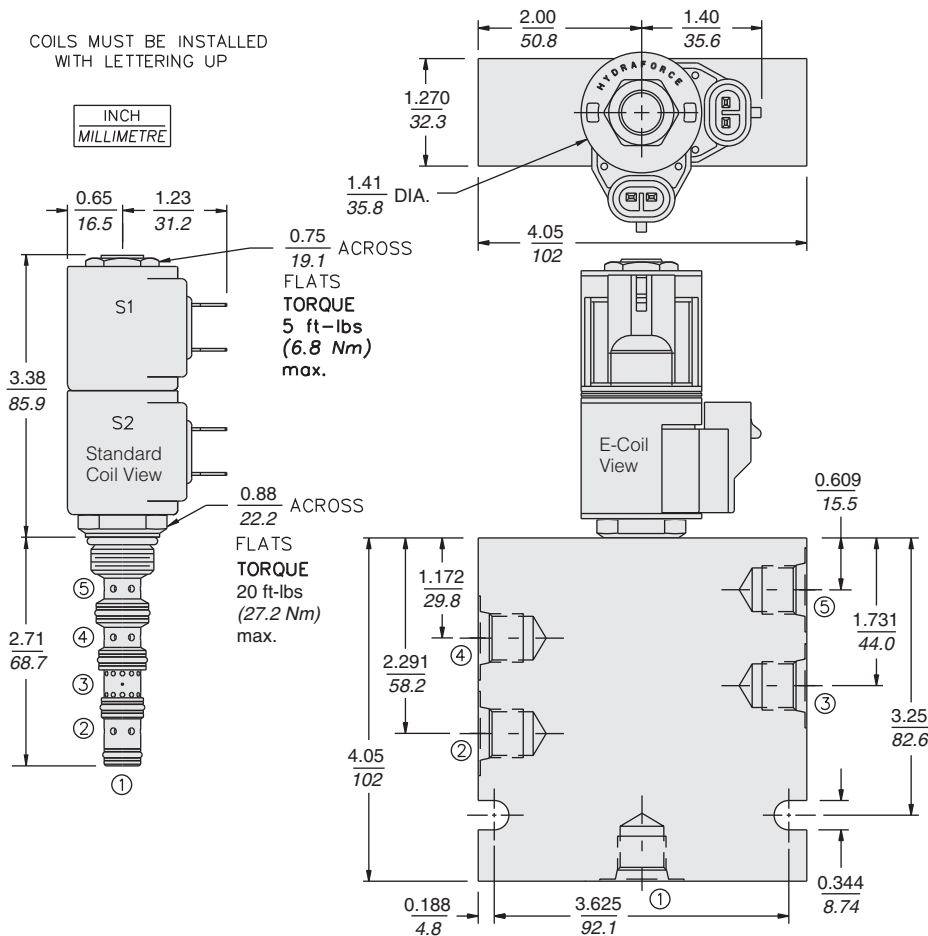
PERFORMANCE (Cartridge Only)



for Load Sense Applications

SV08-58C

DIMENSIONS



MATERIALS

Cartridge: Weight: 0.15 kg. (0.34 lbs.); Steel with hardened work surfaces. Zinc-plated exposed surfaces; Buna N O-rings and back-ups standard.

Standard Ported Body: Weight: 0.41 kg. (0.85 lbs.); Anodized high-strength 6061 T6 aluminum alloy, rated to 207 bar (3000 psi); Ductile iron bodies available; dimensions may differ. See page 8.008.1.

Standard Coil: Weight each: 0.11 kg. (0.25 lbs.); Unitized thermoplastic encapsulated, Class H high temperature magnetwire. See page 3.200.1

E-Coil: Weight: 0.14 kg. (0.3 lbs.); Perfect wound, fully encapsulated with rugged external metal shell; Rated up to IP69K with integral connectors.

See page 3.400.1 for all E-Coil retrofit applications.

TO ORDER

SV08-58C

| | | | |
|---------------|--------------|-----------------------------------|-------------------------------------|
| Option | None (Blank) | Voltage | Termination (VDC) |
| | | Std. Coil | Std. Coil |
| | | 0 Less Coil** | DS Dual Spades |
| | | 10 10 VDC† | DG DIN 43650 |
| | | 12 12 VDC | DL Leadwires (2) |
| | | 24 24 VDC | DL/W Leads w/Weatherpak® Connectors |
| | | 36 36 VDC | DR Deutsch DT04-2P |
| | | 48 48 VDC | |
| | | 24 24 VAC | Termination (VAC) |
| | | 115 115 VAC | Std. Coil |
| | | 230 230 VAC | AG DIN 43650 |
| | | **Includes Std. Coil Nut | AP 1/2 in. Conduit |
| | | † DS, DW or DL terminations only. | Termination (VDC) |
| | | | E-Coil |
| | | Seals | ER Deutsch DT04-2P (IP69K Rated) |
| | | Buna N (Std.) N | EY Metri-Pack® 150 (IP69K Rated) |
| | | Fluorocarbon V | |
| | | Polyurethane P | |
| | | E-Coil | |
| | | 10 10 VDC | |
| | | 12 12 VDC | |
| | | 20 20 VDC | |
| | | 24 24 VDC | |

Coils with internal diode are available. Consult factory.