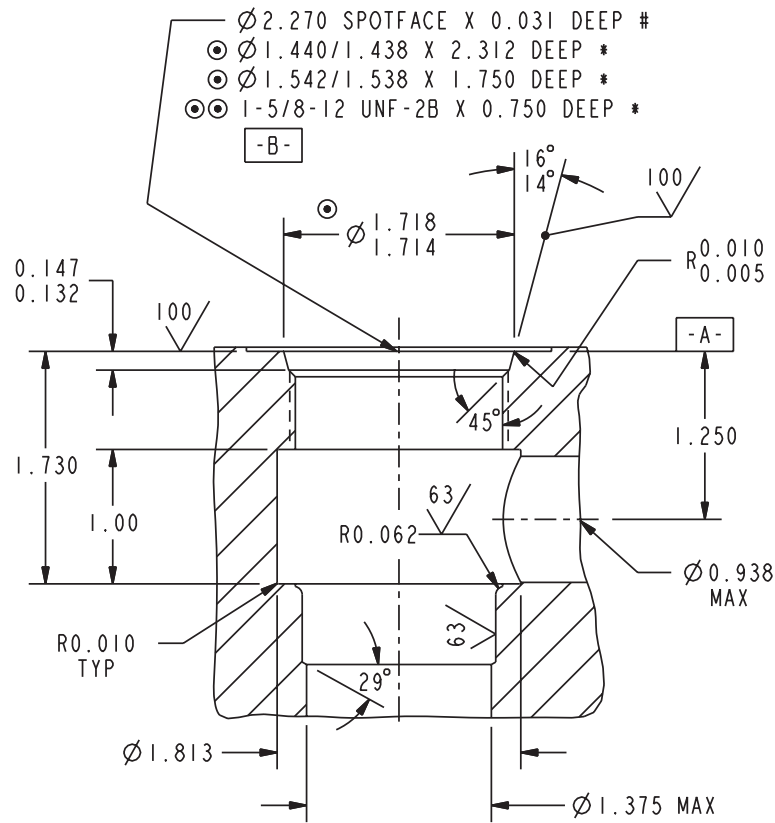


Series 20 Cartridge Cavities

VC20-2



NOTES:

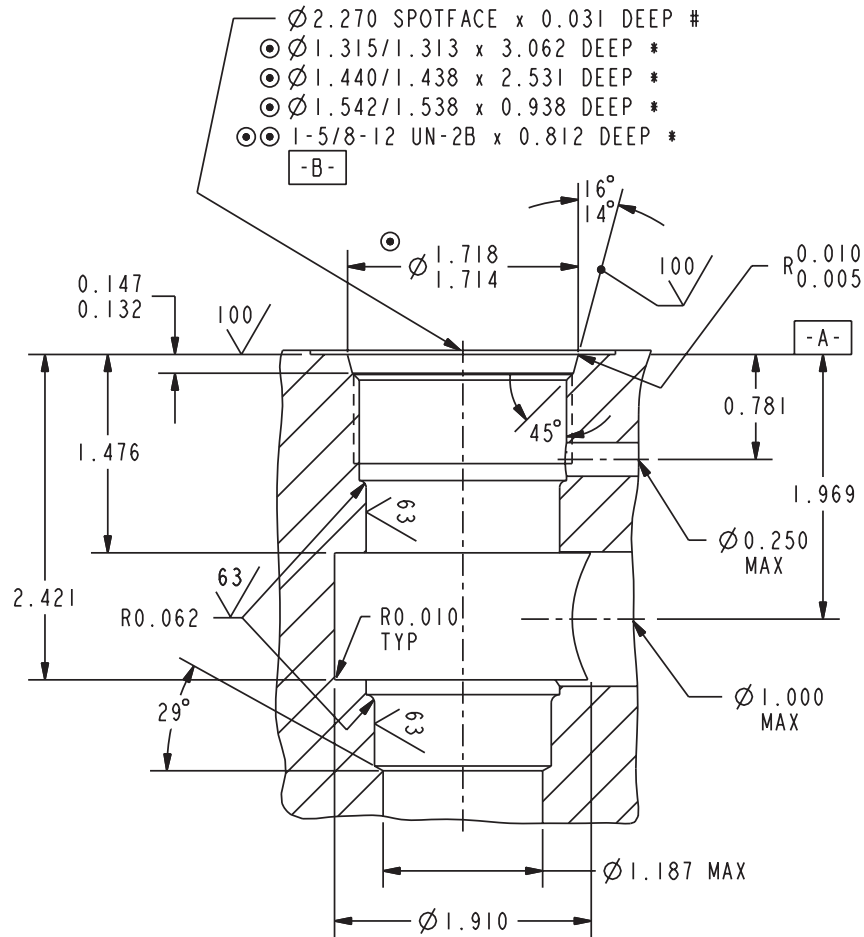
- THE ABOVE FEATURES (EXCEPT FOR PILOT DRILL, CROSS DRILLS AND $\varnothing 1.813$ UNDERCUT) CAN BE MACHINED SIMULTANEOUSLY USING HYDRAFORCE FORM TOOLS. CONSULT FACTORY.



- * - DEPTHS ARE FROM DATUM -A- .
- # - UNLESS OTHERWISE SPECIFIED ON MACHINING DRAWING.
- UNSPECIFIED TOLERANCES ARE ± 0.005 .
- UNSPECIFIED ANGULAR DIMENSIONS $\pm 3^\circ$.
- ALL MACHINED SURFACES $\sqrt{125}$ UNLESS OTHERWISE SPECIFIED.

Series 20 Cartridge Cavities

VC20-S3 – Variation “A”



NOTES:

- THE ABOVE FEATURES (EXCEPT FOR PILOT DRILL AND CROSS DRILLS) CAN BE MACHINED SIMULTANEOUSLY USING HYDRAFORCE FORM TOOLS. CONSULT FACTORY.

⊙	<table border="1"><tr><td>⊥</td><td>0.001</td><td>A</td></tr><tr><td>↗</td><td>0.002</td><td>B</td></tr></table>	⊥	0.001	A	↗	0.002	B	⊙⊙	<table border="1"><tr><td>⊥</td><td>0.001</td><td>A</td></tr><tr><td>○</td><td>0.0009</td><td>(PITCH DIA)</td></tr></table>	⊥	0.001	A	○	0.0009	(PITCH DIA)
⊥	0.001	A													
↗	0.002	B													
⊥	0.001	A													
○	0.0009	(PITCH DIA)													

- * - DEPTHS ARE FROM DATUM **-A-** .
- # - UNLESS OTHERWISE SPECIFIED ON MACHINING DRAWING.
- UNSPECIFIED TOLERANCES ARE ±0.005.
- UNSPECIFIED ANGULAR DIMENSIONS ±3°.