

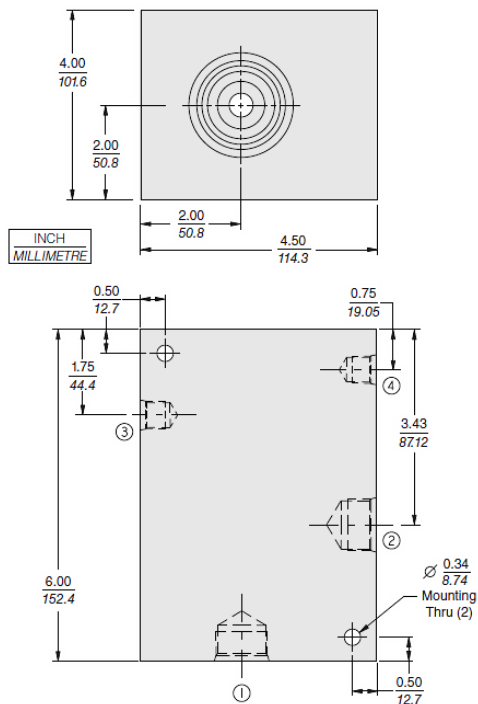


Ratings

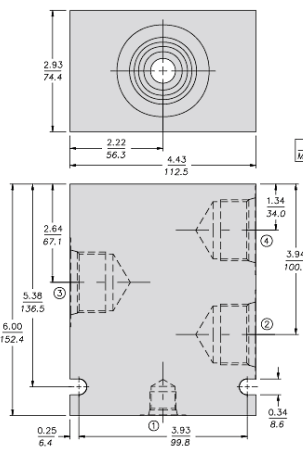
Pressure rating	207 bar (3000 psi)	- Note:
	Aluminum	
	345 bar (5000 psi)	- Note:
	Ductile iron	
Material	6061-T6511	- Note:
	Aluminum	
	Dura-bar	- Note: Ductile iron

Dimensions

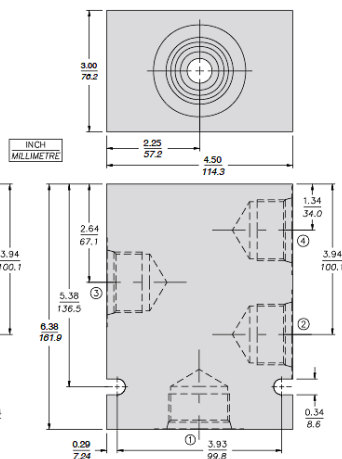
4-WAY J4  
Ductile Iron



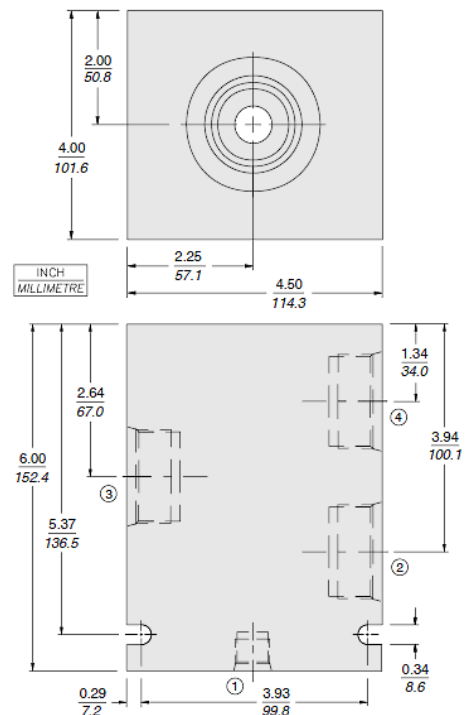
4-WAY M4 PD-Type  
Aluminum or Ductile Iron



4-WAY M4  
Ductile Iron



4-WAY M4 HPD/HPE-Type  
Ductile Iron, H-Series





## Part Numbers

### CAVITY: HVC42-J4

P/N: 7160870	Code: 20HT	Material: DUCTILE IRON			
Port 1	Port 2	Port 3	Port 4	Port 5	Port 6
SAE 20	SAE 20	SAE 6	SAE 6		

### CAVITY: VC42-M4

P/N: 7029540	Code: 16T	Material: ALUMINUM			
Port 1	Port 2	Port 3	Port 4	Port 5	Port 6
SAE 6	SAE 16	SAE 16	SAE 16		
P/N: 7029550	Code: 20T	Material: ALUMINUM			
Port 1	Port 2	Port 3	Port 4	Port 5	Port 6
SAE 6	SAE 20	SAE 20	SAE 20		
P/N: 7154320	Code: 20TD	Material: DUCTILE IRON			
Port 1	Port 2	Port 3	Port 4	Port 5	Port 6
SAE 6	SAE 20	SAE 20	SAE 20		