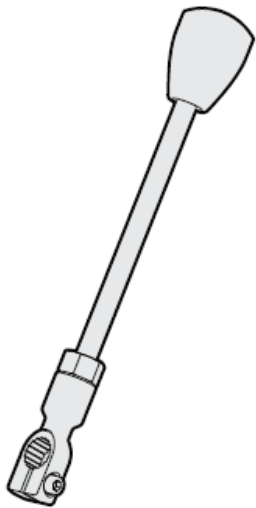




Overview



Description

The handle S/A for use with manual operator to maintain proportional pilot operated hydraulic directional valves.

Operation

The handle S/A can be oriented 360° in 20° increments.

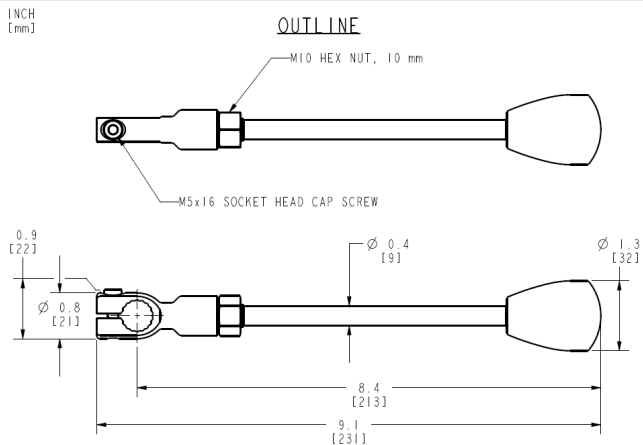
Properties

Unit weight	0.2 kg (0.43 lb)
Manufacturer	Azeta, Italy

Installation Specifications

Screw installation torque	1.1 to 1.4 N-m (10 to 12 in-lb)
Hex nut installation torque	11.3 to 13.6 N-m (100 to 120 in-lb)

Dimensions



ALL DIMENSIONS ARE FOR REFERENCE ONLY.

Ordering Information

HF Part No	4213260
------------	---------