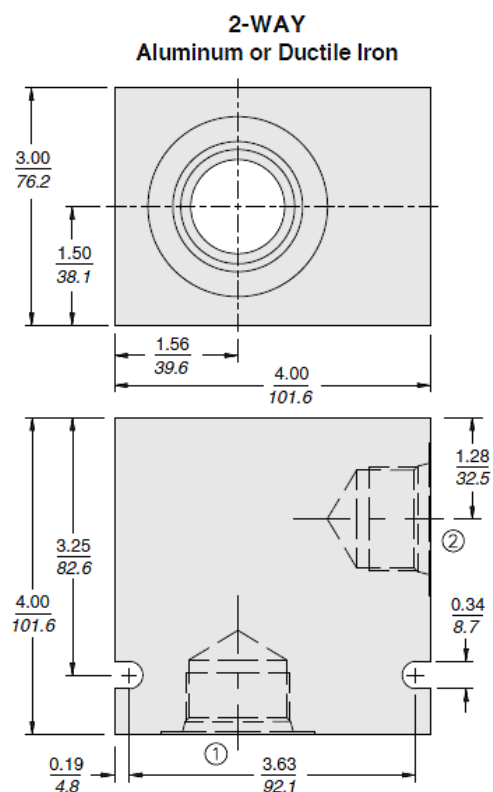




Ratings

Pressure rating	207 bar (3000 psi)	- Note:
	Aluminum	
	345 bar (5000 psi)	- Note:
	Ductile iron	
Material	6061-T6511	- Note:
	Aluminum	
	Dura-bar	- Note: Ductile iron

Dimensions



Part Numbers

CAVITY: VC20-2

P/N: 4553840	Code: 16T	Material: ALUMINUM			
Port 1	Port 2	Port 3	Port 4	Port 5	Port 6
SAE 16	SAE 16				
P/N: 4553850	Code: 20T	Material: ALUMINUM			
Port 1	Port 2	Port 3	Port 4	Port 5	Port 6
SAE 20	SAE 20				
P/N: 4553860	Code: 16TD	Material: DUCTILE IRON			
Port 1	Port 2	Port 3	Port 4	Port 5	Port 6
SAE 16	SAE 16				
P/N: 4553870	Code: 20TD	Material: DUCTILE IRON			
Port 1	Port 2	Port 3	Port 4	Port 5	Port 6
SAE 20	SAE 20				