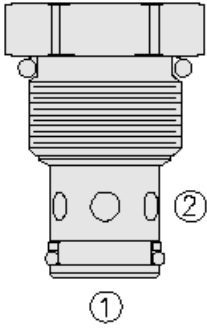




## Overview



### Description

The CV10-24X is a screw-in, cartridge style, hydraulic check valve for use as a blocking or load-holding device.

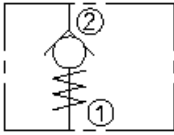
### Operation

The cartridge valve allows flow from port 2 to 1 while normally blocking flow in the opposite direction. The cartridge valve has a fully guided check which spring biased closed until sufficient pressure is applied at port 2 to open to port 1.

### Features

- Hardened seat for long life and low leakage.
- Optional bias springs for back-pressure application flexibility.
- Low check mass for anti-cavitation applications.
- Industry-common cavity.

### Symbol



## Ratings

### Pressure Ratings

Pressure rating 241 bar (3500 psi)

### Flow Ratings

Flow rating 56.8 lpm (15 gpm) - **Note:** See graph  
 Maximum internal leakage 0.25 ml/min (5 drops/min) - **Note:** At 241 bar (3500 psi)

### Temperature Ratings

Operating fluid temperature -40 to 100 °C (-40 to 212 °F) - **Note:** With buna N seals  
 -26 to 204 °C (-15 to 400 °F) - **Note:** with fluorocarbon seals  
 Storage temperature -40 to 70 °C (-40 to 160 °F)  
 Ambient temperature -40 to 70 °C (-40 to 160 °F)

## Operating Parameters

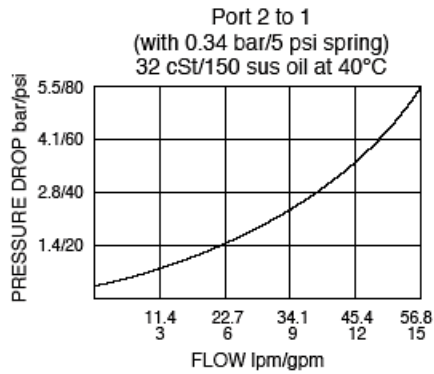
Fluids Mineral based or synthetic hydraulic fluid with lubricating properties  
 Fluid viscosity range 7.4 to 420 cSt  
 Maximum operating contamination level 20/18/14 per ISO 4406

## Properties

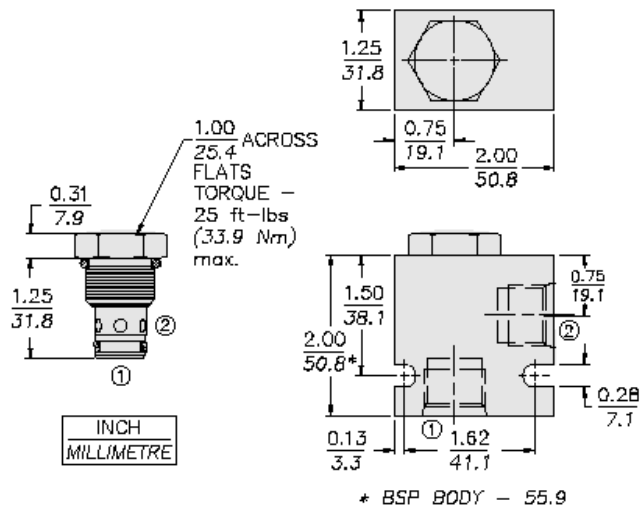
Unit weight 0.09 kg (0.20 lb)  
 Internal wetted surface area 67.7 cm<sup>2</sup> (10.5 in<sup>2</sup>)



## Performance



## Dimensions



## Installation Specifications

Cavity	VC10-2
Cartridge installation torque	32.5 to 35.3 N-m (24 to 26 ft-lb)
Orientation restriction	None

## Accessories

Seal kit	SK10-2X-T/B	- <b>Note:</b> X = seal option
----------	-------------	--------------------------------



## Order Code

CV10-24 -

<p><b>Porting</b></p> <p>Cartridge Only 0</p> <p>SAE 6 6T</p> <p>SAE 8 8T</p> <p>1/4 in. BSP* 2B</p> <p>3/8 in. BSP* 3B</p> <p>1/2 in. BSP* 4B</p> <p>*BSP Body; U.K. Mfr. Only</p>	<p><b>Bias Spring</b></p> <p>05 0.34 bar (5 psi)</p> <p>25 1.7 bar (25 psi)</p> <p>55 3.8 bar (55 psi)</p>	<p><b>Seals</b></p> <p>N Buna N (Std.)</p> <p>V Viton</p>
---	--	---

### Model Options

CV10-24G-H-J-R

#### G Screen

CODE	DESCRIPTION
BLANK	NONE
S	100 Mesh Screen

#### H Line Body

CODE	DESCRIPTION
0	No Body
6T	Aluminum SAE 6
8T	Aluminum SAE 8
6TD	Ductile Iron SAE 6
8TD	Ductile Iron SAE 8
2B	Aluminum BSPP 1/4" (2)
3B	Aluminum BSPP 3/8" (3)
4B	Aluminum BSPP 1/2" (4)
4BD	Ductile Iron BSPP 1/2" (4)

#### J Seal

CODE	DESCRIPTION
N	Buna-N
V	Fluorocarbon
P	Polyurethane
U	PPDI Urethane

#### R Spring

CODE	DESCRIPTION
5	5 psi Bias Spring
25	25 psi Bias Spring
55	55 psi Bias Spring