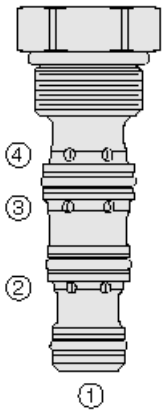




## Overview



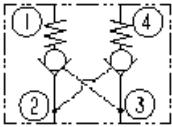
### Description

The DC08-40 is a cartridge style, dual pilot operated check valve for use in blocking or load holding circuits with general purpose hydraulic fluids.

### Features

- Hardened seat for long life and low leakage.
- Low pressure drop.
- Compact size.

### Symbol



## Ratings

### Pressure Ratings

Pressure rating	241 bar (3500 psi)
Proof pressure	350 bar (5075 psi)
Burst pressure	966 bar (14000 psi)
Pilot ratio	3:1

### Flow Ratings

Flow rating	19 lpm (5 gpm)	
Maximum internal leakage	0.25 ml/min (5 drops/min)	- Note: Max at 207 bar (3500 psi)

### Temperature Ratings

Operating fluid temperature	-40 to 100 °C (-40 to 212 °F)	- Note: With buna N seals
	-26 to 204 °C (-15 to 400 °F)	- Note: With fluorocarbon seals
	-54 to 107 °C (-65 to 225 °F)	- Note: With polyurethane seals
Storage temperature	-40 to 70 °C (-40 to 160 °F)	
Ambient temperature	-40 to 90 °C (-40 to 194 °F)	

### Other Ratings

Corrosion protection	960 hr salt spray per ASTM b117 (gdc08-40)
----------------------	--

## Operating Parameters

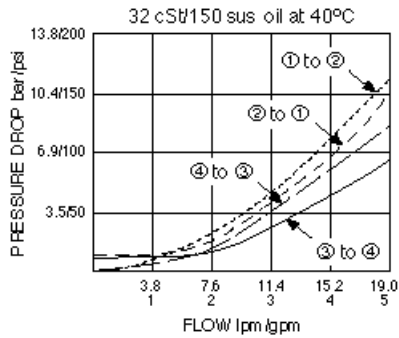
Fluids	Mineral based or synthetic hydraulic fluid with lubricating properties
Fluid viscosity range	7.4 to 420 cSt
Maximum operating contamination level	20/18/14 per ISO 4406

## Properties

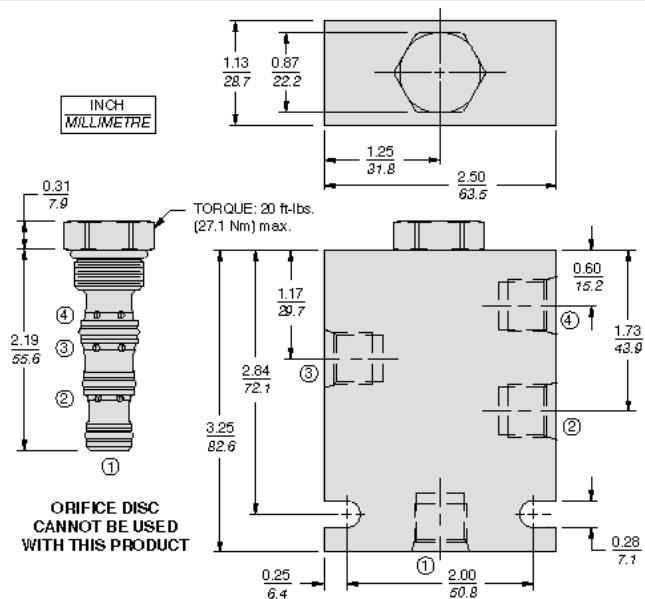
Unit weight	0.07 kg (0.16 lb)
Internal wetted surface area	113 cm <sup>2</sup> (17.5 in <sup>2</sup> )



## Performance



## Dimensions



## Installation Specifications

Cavity	VC08-4
Cartridge installation torque	25.8 to 28.6 N-m (19 to 21 ft-lb)
Maximum allowable torque	54.2 N-m (40 ft-lb)
Orientation restriction	None

## Accessories

Seal kit	SK08-4N-MMM	- <b>Note:</b> Buna N
	SK08-4V-MMM	- <b>Note:</b> Fluorocarbon
	SK08-4P-MMM	- <b>Note:</b> Polyurethane
	SK08-4U-OOO	- <b>Note:</b> Urethane



## Order Code

<b>DC08-40 -</b>		<b>Bias Spring</b>	
<b>Porting</b>		25	1.7 bar (25 psi) Standard
Cartridge Only	0	85	5.9 bar (85 psi)
SAE 6	6T	135	9.3 bar (135 psi)
1/4 in. BSP*	2B		
3/8 in. BSP*	3B		
*BSP Body; U.K. Mfr. Only		<b>Seals</b>	
	N	Buna N (Std.)	
	V	Fluorocarbon	
	P	Polyurethane	
	U	Urethane	
	NS*	Buna N with sealed spool	
	VS*	Fluorocarbon with sealed spool	
	US*	Urethane with sealed spool	
	PS*	Polyurethane with sealed spool	
	* Note: NS, Vs, PS and US seal options require 9.3 bar (135 psi) spring minimum.		

### Model Options

#### DC08-40-H-J-R

#### H Line Body

CODE	DESCRIPTION
0	No Body
6TD	Ductile Iron SAE 6
3B	Aluminum BSPP 3/8" (3)
3BD	Ductile Iron BSPP 3/8" (3)

#### J Seal

CODE	DESCRIPTION
N	Buna-N
NS	Buna-N with a Sealed Spool
V	Fluorocarbon
VS	Fluorocarbon with a Sealed Spool
P	Polyurethane
PS	Polyurethane with a Sealed Spool
U	PPDI Urethane
US	PPDI Urethane with a Sealed Spool

#### R Spring

CODE	DESCRIPTION
25	25 psi Bias Spring
85	85 psi Bias Spring
135	135 psi Bias Spring