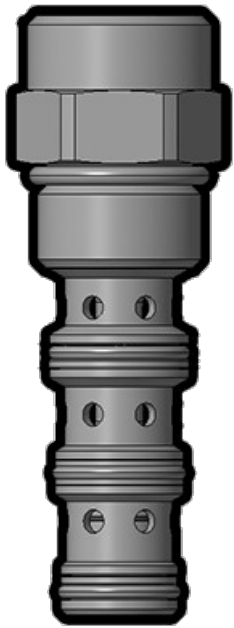




Overview



Description

The EC10-40 is a screw-in cartridge style, pressure compensating element, intended for use with a remote fixed or variable orifice to yield a three port (bypass type), pressure compensated, flow regulating hydraulic valve.

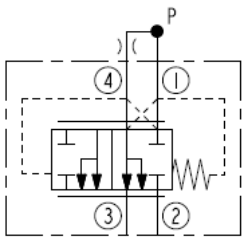
Operation

The EC10-40 maintains a constant flow rate from port 3 regardless of load pressure changes in the circuit downstream of port 3. The EC10-40 is a priority type valve, delivering pump flow first to port 3 then bypassing excess to port 2. All ports may be fully pressurized.

Features

- Hardened parts for long life.
- Quiet, modulated response.
- Industry-common cavity.

Symbol



Ratings

Pressure Ratings

Pressure rating	241 bar (3500 psi)
Proof pressure	345 bar (5000 psi)
Burst pressure	896 bar (13000 psi)

Flow Ratings

Flow rating	57 lpm (15 gpm)	- Note: Maximum input flow
	38 lpm (10 gpm) (spring)	- Note: Maximum regulated flow (with 11 bar (160 psi) spring)

Temperature Ratings

Operating fluid temperature	-40 to 100 °C (-40 to 212 °F)	- Note: With buna N seals
	-26 to 204 °C (-15 to 400 °F)	- Note: With viton seals
	-54 to 107 °C (-65 to 225 °F)	- Note: With polyurethane seals
Storage temperature	-40 to 70 °C (-40 to 160 °F)	
Ambient temperature	-40 to 90 °C (-40 to 160 °F)	

Operating Parameters

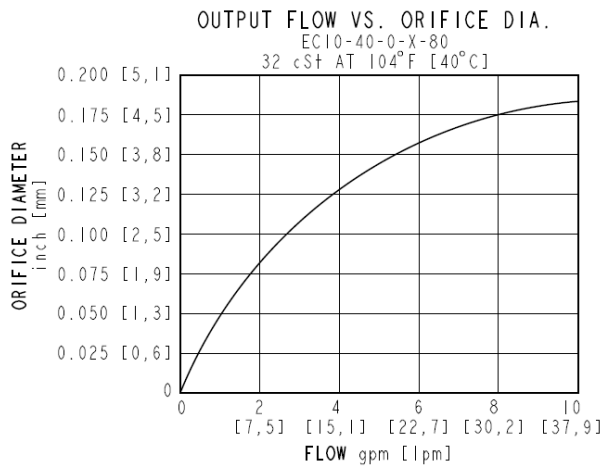
Fluids	Mineral based or synthetic hydraulic fluid with lubricating properties
--------	--



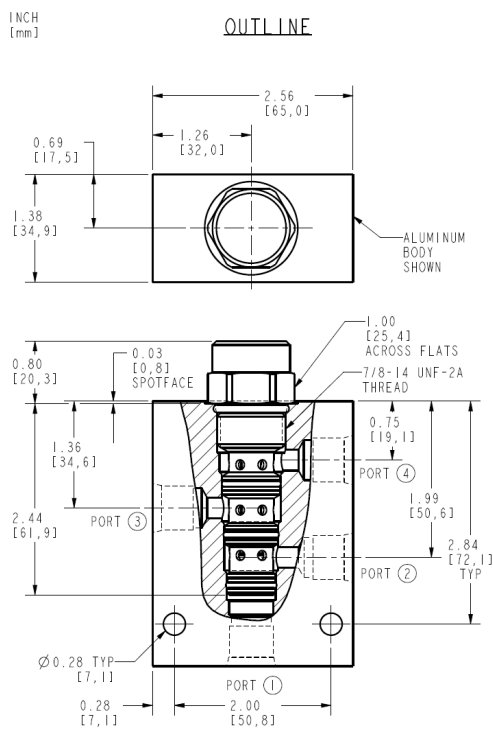
Properties

Unit weight	0.15 kg (0.39 lb)
Internal wetted surface area	157 cm ² (24.3 in ²)

Performance



Dimensions



ALL DIMENSIONS ARE FOR REFERENCE ONLY.

Installation Specifications

Cavity	VC10-4
Cartridge installation torque	45 to 50 N-m (33 to 37 ft-lb)
Orientation restriction	None

Accessories

Seal kit	SK10-4X-TMB	- Note: X = seal option
----------	-------------	--------------------------------



Order Code

ORDERING INFORMATION:

EC10-40-X-X-XXX

BASE MODEL
NUMBER

PORTING
CARTRIDGE ONLY - 0

SEALS
BUNA N - N
FLUOROCARBON - V
POLYURETHANE - P

COMPENSATOR SPRING
40 psi [2,8 bar] - 40
80 psi [5,5 bar] - 80
160 psi [11,0 bar] - 160
220 psi [15,2 bar] - 220

Model Options

EC10-40-H-J-R

H Line Body

CODE	DESCRIPTION
0	No Body
6T	Aluminum SAE 6
8T	Aluminum SAE 8
6TD	Ductile Iron SAE 6

J Seal

CODE	DESCRIPTION
N	Buna-N
V	Fluorocarbon
P	Polyurethane
U	PPDI Urethane

R Compensator Spring

CODE	DESCRIPTION
40	40 Compensator Spring
80	80 Compensator Spring
160	160 Compensator Spring