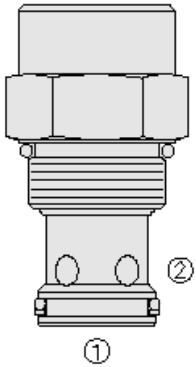




Overview



Description

A screw-in, cartridge style, fixed orifice, pressure compensated, hydraulic flow regulator valve (restrictive type).

Operation

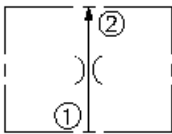
The FR16-20F maintains a constant flow rate from port 1 to 2 regardless of load pressure changes. Reverse flow returns through the control orifice and is non-compensated.

note: the valve is intended for use with mineral based or synthetic hydraulic fluids with lubricating properties.

Features

- Hardened parts for long life.
- Quiet, modulated response.
- Cost-effective cavity.

Symbol



Ratings

Pressure Ratings

Pressure rating 241 bar (3500 psi)

Flow Ratings

Flow setting 4 to 113 lpm (1 to 30 gpm)

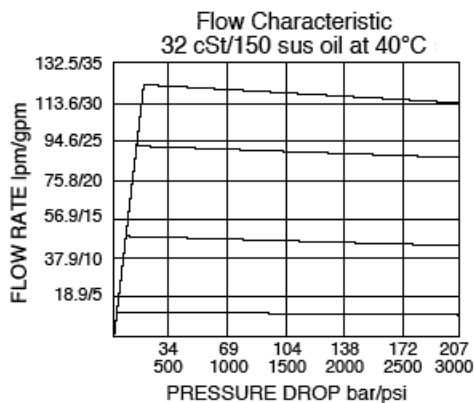
Temperature Ratings

Operating temperature -40 to 120 °C (-40 to 248 °F)

Properties

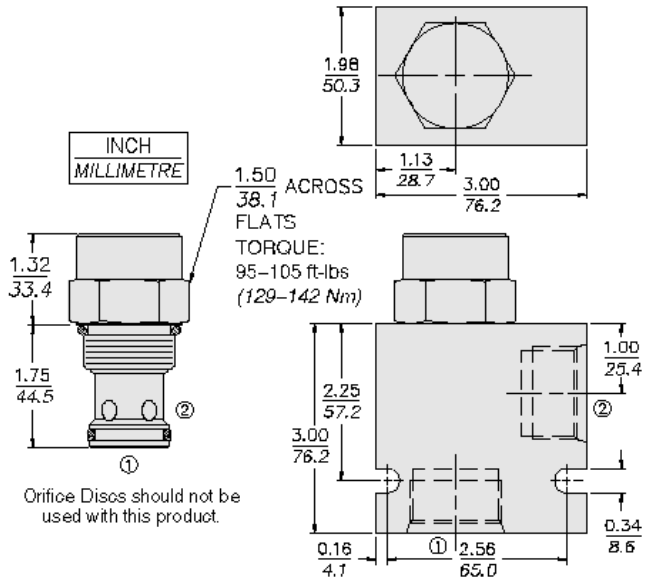
Materials steel with hardened work surfaces, external surfaces are zinc plated. Buna o-rings are standard

Performance





Dimensions



Installation Specifications

Cavity	VC16-2
Cartridge installation torque	129 to 142 N-m (95 to 105 ft-lb)



Order Code

FR16-20F -		- /	
Porting		Setting in lpm	
Cartridge Only	0	Specify, for example:	
SAE 10	10TD	M4.0	4.0 lpm
SAE 12	12T	M12.0	12.0 lpm
SAE 16	16T	etc.	
3/4 in. BSP*	6B	Setting in gpm	
1 in. BSP*	8B	Specify, for example:	
*BSP Body: U.K. Mfr. Only		5.0	5.0 gpm
		13.0	13.0 gpm
		etc.	
Seals		Drill Size Method	
Buna N (Std.)	N	In thousandths of an inch.	
Fluorocarbon	V	Specify, for example:	
		D030	0.030 in. control orifice hole
		etc.	

Note: Minimum drill diameter is 0.020 in.
For smaller orifice sizes consult factory.

Model Options

FR16-20F-H-J-/T

F Adjustment Option

CODE	DESCRIPTION
F	Factory Preset Non-Adjustable

H Line Body

CODE	DESCRIPTION
0	No Body
12T	Aluminum SAE 12
16T	Aluminum SAE 16
12TD	Ductile Iron SAE 12
16TD	Ductile Iron SAE 16
6B	Aluminum BSPP 3/4" (6)
8B	Aluminum BSPP 1" (8)
8BD	Ductile Iron BSPP 1" (8)

J Seal

CODE	DESCRIPTION
N	Buna-N
V	Fluorocarbon
P	Polyurethane
U	PPDI Urethane

T Flow setting

CODE	DESCRIPTION
XX	Flow setting