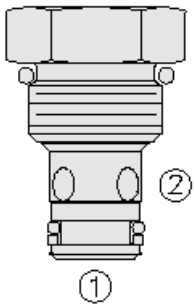
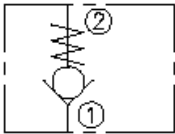




Overview



Symbol



Description

The HCV08-20 is a screw-in, cartridge style, hydraulic check valve for use as a blocking or load-holding device for high pressure applications.

Operation

The check valve allows flow from port 1 to 2, while normally blocking flow in the opposite direction. The cartridge valve has a fully guided poppet which is spring biased closed until sufficient pressure is applied at port 1 to open to port 2.

Features

- Hardened seat for long life and low leakage.
- Optional bias springs for back-pressure application flexibility.
- Fully guided check assembly.
- Compact size.
- Fast closing and seating.
- All HyPerformance products are tested to the rigorous standards of the NFPA specification T2.6.1.
- All HyPerformance valves are tested at a verification level of 90% and an assurance of 99%.

Ratings

Pressure Ratings

Pressure rating	350 bar (5075 psi)	- Note: 10% cycle life
	420 bar (6090 psi)	
Proof pressure	690 bar (10000 psi)	
Burst pressure	1380 bar (20000 psi)	

Flow Ratings

Flow rating	30 lpm (8 gpm)	
Maximum internal leakage	0.10 ml/min (2 drops/min)	- Note: At 350 bar (5075 psi)

Other Ratings

Cycle life	One million cycles
------------	--------------------

Temperature Ratings

Operating fluid temperature	-40 to 100 °C (-40 to 212 °F)	- Note: With buna N seals
	-26 to 204 °C (-15 to 400 °F)	- Note: With fluorocarbon seals
	-54 to 107 °C (-65 to 225 °F)	- Note: With urethane seals
Storage temperature	-40 to 70 °C (-40 to 160 °F)	
Ambient temperature	-40 to 90 °C (-40 to 194 °F)	

Operating Parameters

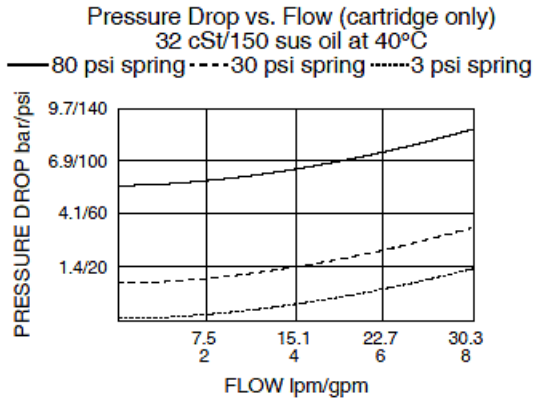
Fluids	Mineral based or synthetic hydraulic fluid with lubricating properties
Fluid viscosity range	7.4 to 420 cSt
Maximum operating contamination level	18/16/13 per ISO 4406

Properties

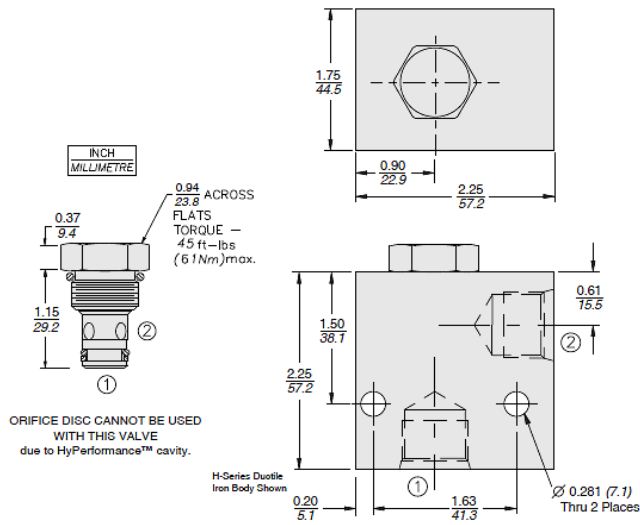
Unit weight	0.07 kg (0.15 lb)
Internal wetted surface area	61 cm ² (9.5 in ²)



Performance



Dimensions



Installation Specifications

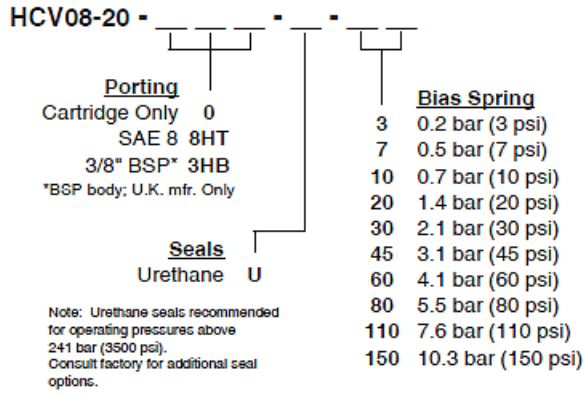
Cavity	HVC08-2	
Cartridge installation torque	54 to 61 N-m (40 to 45 ft-lb)	- Note: Steel/ductile iron cavity
	41 to 47 N-m (30 to 35 ft-lb)	- Note: Aluminum cavity
Orientation restriction	None	

Accessories

Seal kit	SK08-2N-T	- Note: Buna N
	SK08-2V-T	- Note: Fluorocarbon
	SK08-2U-O	- Note: Urethane



Order Code



Model Options

HCV08-20-H-J-R

H Line Body

CODE	DESCRIPTION
0	No Body

J Seal

CODE	DESCRIPTION
N	Buna-N
V	Fluorocarbon
U	PPDI Urethane

R Spring

CODE	DESCRIPTION
3	3 psi Bias Spring
7	7 psi Bias Spring
10	10 psi Bias Spring
20	20 psi Bias Spring
30	30 psi Bias Spring
45	45 psi Bias Spring
60	60 psi Bias Spring
80	80 psi Bias Spring
110	110 psi Bias Spring
150	150 psi Bias Spring